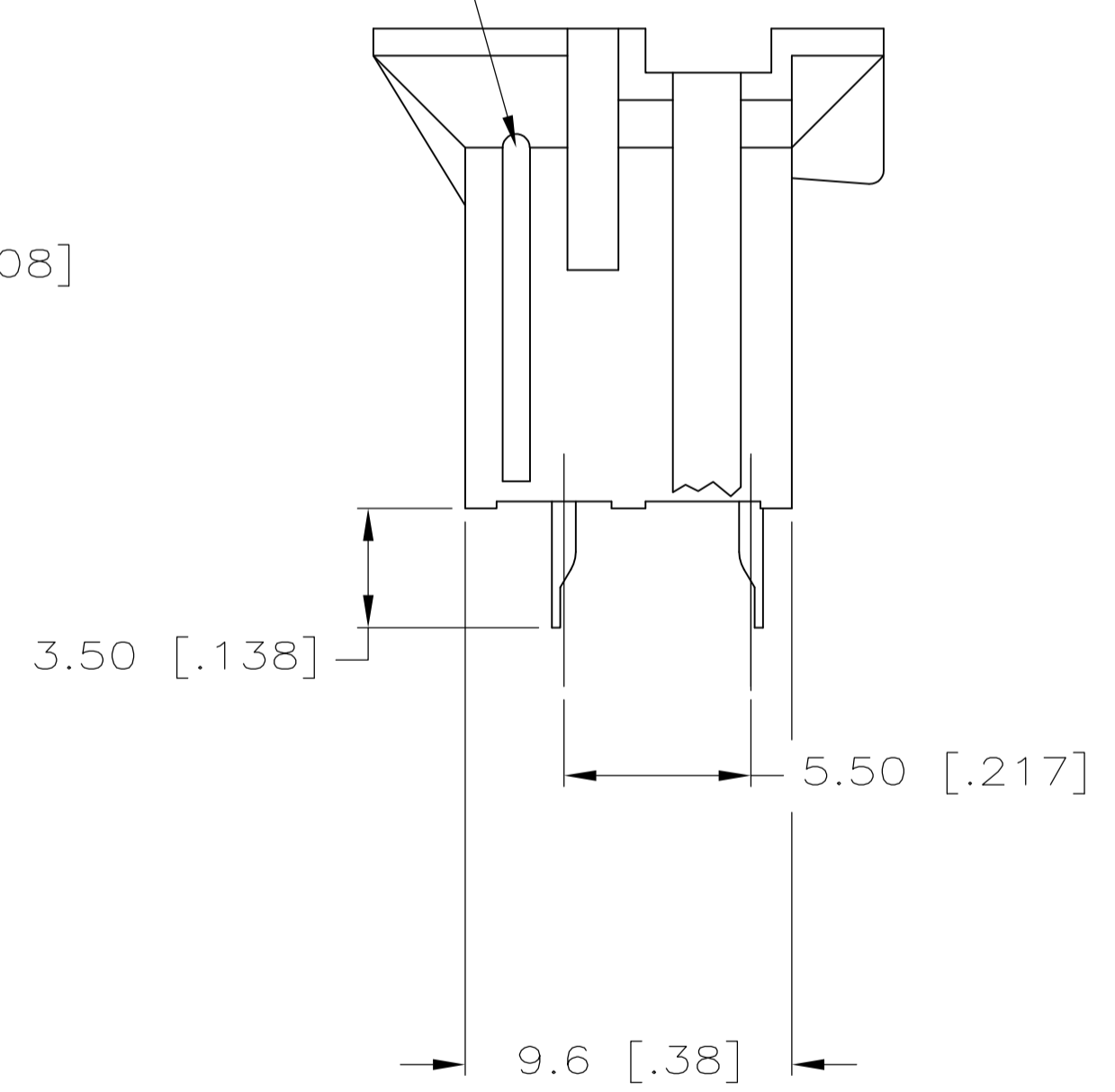
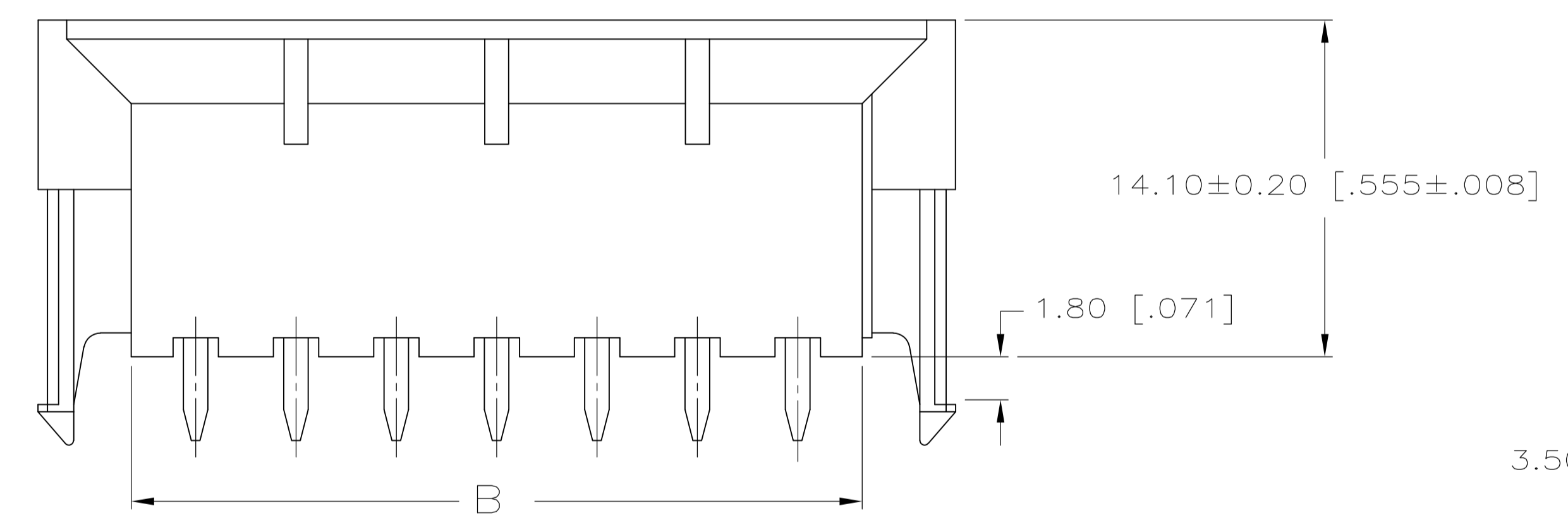


RECOMMENDED HOLE LAYOUT FOR 1.78 [.070] MAXIMUM THICK PC BOARD.

RIB INDICATES CIRCUIT #1



- 1 MATERIAL: HOUSING-NYLON, UL94V-0 (COLOR-NATURAL, COLOR OF PARTS MAY VARY). CONTACTS-0.25 [.010] THICK BRASS ALLOY
- 2 CONTACT FINISH: 0.000100 [.0000039] MIN. MATTE TIN OVER 0.000050 [.0000020] MIN. NICKEL OVER ENTIRE CONTACT.
- 3 MATES WITH 4.2mm P.E. RECEPTACLE HOUSINGS.



59.4 [2.32]	57.0 [2.24]	55.6 [2.19]	51.6 [2.03]	46.2 [1.82]	24	2-1586587-4
55.2 [2.17]	52.0 [2.08]	51.4 [2.02]	47.4 [1.87]	42.0 [1.65]	22	2-1586587-2
51.0 [2.01]	48.6 [1.91]	47.2 [1.86]	43.2 [1.70]	37.8 [1.49]	20	2-1586587-0
46.8 [1.84]	44.4 [1.75]	43.0 [1.69]	39.0 [1.54]	33.6 [1.32]	18	1-1586587-8
42.6 [1.69]	40.2 [1.58]	38.8 [1.53]	34.8 [1.37]	29.4 [1.58]	16	1-1586587-6
38.4 [1.51]	36.0 [1.42]	34.6 [1.36]	30.6 [1.20]	25.2 [0.99]	14	1-1586587-4
34.2 [1.35]	31.8 [1.25]	30.4 [1.20]	26.4 [1.04]	21.0 [0.83]	12	1-1586587-2
30.0 [1.18]	27.6 [1.09]	26.2 [1.03]	22.2 [.87]	16.8 [0.66]	10	1-1586587-0
25.8 [1.02]	23.4 [.92]	22.0 [0.87]	18.0 [.71]	12.6 [0.50]	8	1586587-8
21.6 [.85]	19.2 [.76]	17.8 [0.70]	13.8 [.54]	8.4 [0.33]	6	1586587-6
17.4 [.69]	15.0 [.59]	13.6 [0.54]	9.6 [.38]	4.2 [0.17]	4	1586587-4
13.2 [.52]	10.8 [.43]	9.4 [.37]	5.4 [.21]		2	1586587-2
(E)	(D)	C	B	(A)	POS	PART NUMBER



THIS DRAWING IS A CONTROLLED DOCUMENT.		DIN S. HOOVER 12-NOV-2004		Tyco Electronics Corporation Harrisburg, PA 17105-3608													
DIMENSIONS: mm [INCHES]		TOLERANCES UNLESS OTHERWISE SPECIFIED:		APVD D. COLEY 12-NOV-2004													
<table border="1"> <tr><td>0 PL</td><td>±</td></tr> <tr><td>1 PL</td><td>±</td></tr> <tr><td>2 PL</td><td>± 0.13 [.005]</td></tr> <tr><td>3 PL</td><td>±</td></tr> <tr><td>4 PL</td><td>±</td></tr> <tr><td>ANGLES</td><td>± 0°30'</td></tr> </table>		0 PL	±	1 PL	±	2 PL	± 0.13 [.005]	3 PL	±	4 PL	±	ANGLES	± 0°30'	APPLICATION SPEC		NAME: VERTICAL HEADER ASSEMBLY - BLINDMATE WITH DRAIN HOLES, VO, VAL-U-LOK(TM)	
0 PL	±																
1 PL	±																
2 PL	± 0.13 [.005]																
3 PL	±																
4 PL	±																
ANGLES	± 0°30'																
MATERIAL		FINISH		SIZE: A1													
1		2		CAGE CODE: 00779													
CUSTOMER DRAWING		SCALE: 5:1		SHEET 1 OF 1													
				REV: A1													

# Mouser Electronics

Authorized Distributor

Click to View Pricing, Inventory, Delivery & Lifecycle Information:

[TE Connectivity:](#)

[2-1586587-2](#)