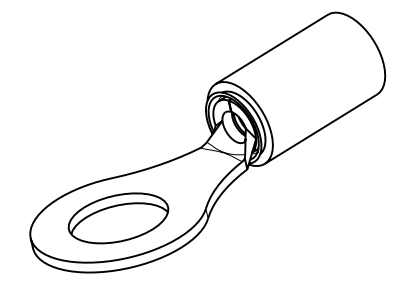
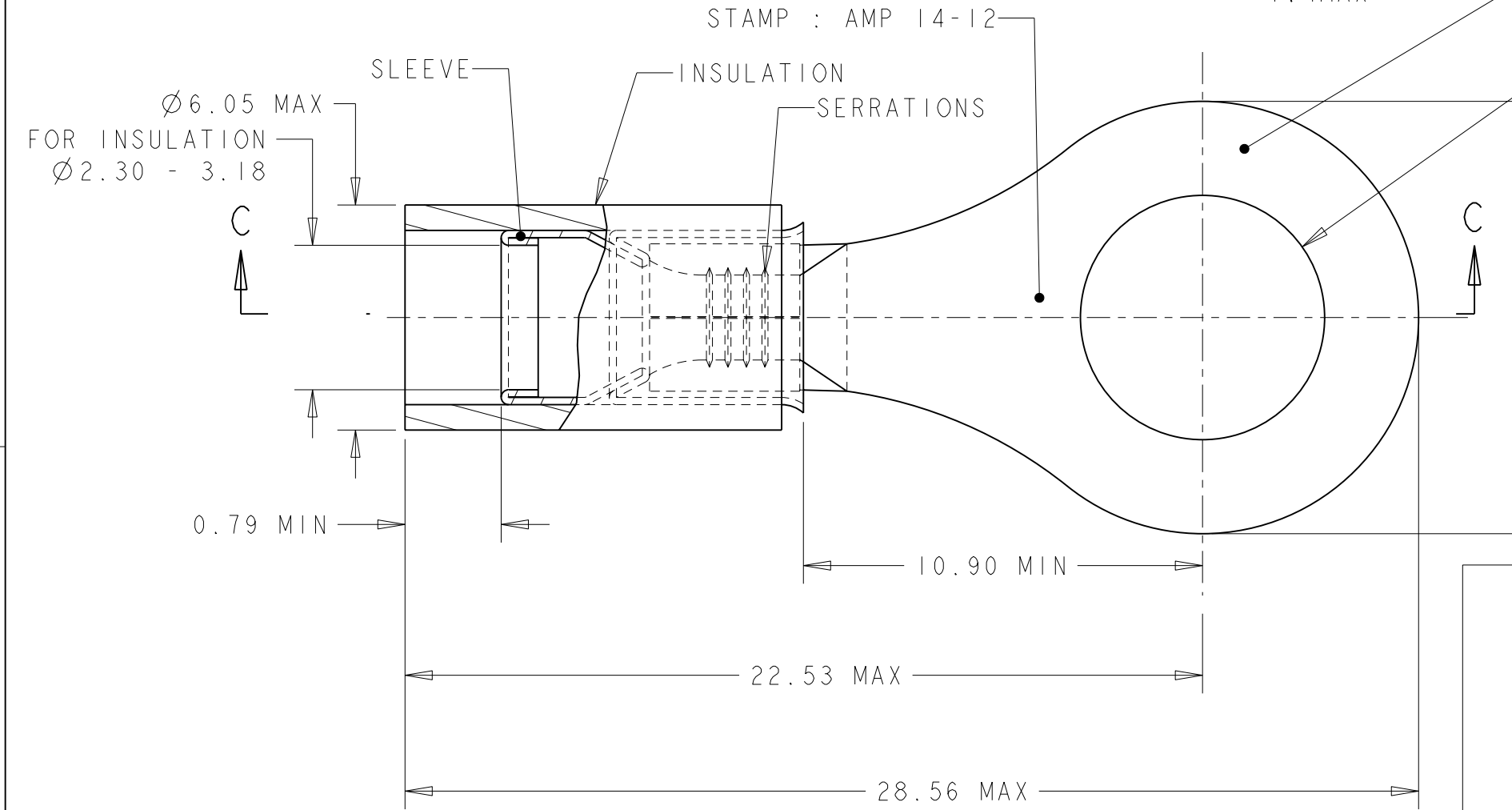
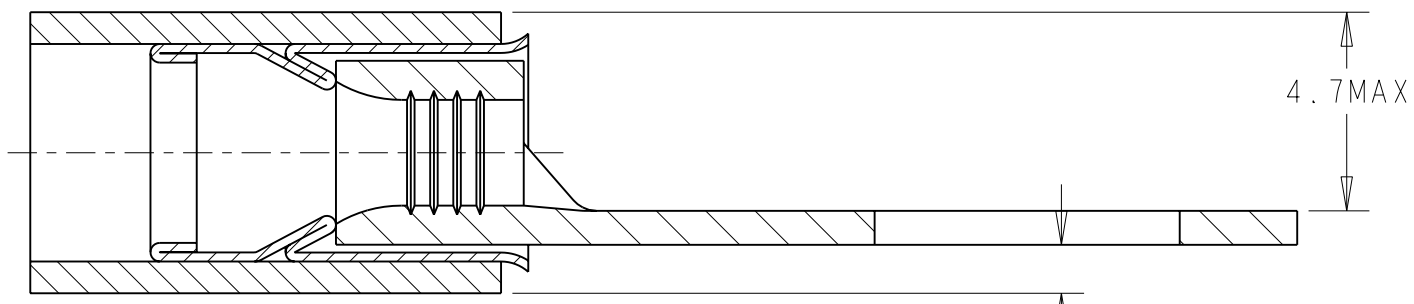


THIS DRAWING IS UNPUBLISHED. RELEASED FOR PUBLICATION 20
 © COPYRIGHT 20 BY TYCO ELECTRONICS CORPORATION. ALL RIGHTS RESERVED.

LOC	DIST	REVISIONS			
P	LTR	DESCRIPTION	DATE	DWN	APVD
F	00	B	09JUN2006	JJD	YP
		C	29OCT2007	JT	GR

COUPE C-C



SCALE 2:1

WIRE TERMINAL	1577641-1	BODY : COPPER ANNEALED FINISH : NICKEL PLATED
		SLEEVE : COPPER ANNEALED FINISH : NICKEL PLATED
		INSULATION : PEEK COLOR : BEIGE
DESCRIPTION	PART NUMBER	MATERIAL & FINISH

THIS DRAWING IS A CONTROLLED DOCUMENT FOR TYCO ELECTRONICS CORPORATION IT IS SUBJECT TO CHANGE AND THE CONTROLLING ENGINEERING ORGANIZATION SHOULD BE CONTACTED FOR THE LATEST REVISION.		DWN JJ. DESPRETZ 22FEB2006 CHK G. ROBERT 22FEB2006 APVD Y. PETRONIN 22FEB2006	tyco Electronics Tyco Electronics France SAS 95300 Pontoise, France
DIMENSIONS: mm	TOLERANCES UNLESS OTHERWISE SPECIFIED: 0 PLC ±- 1 PLC ±0.3 2 PLC ±- 3 PLC ±- 4 PLC ±- ANGLES ±5 FINISH SEE TABLE	PRODUCT SPEC 108-15356 APPLICATION SPEC 114-15102 WEIGHT 1,54 gr	NAME TERMINAL, PEEK PIDG STRATO, 14-12 AWG SIZE A3 CAGE CODE 00779 DRAWING NO C-1577641 RESTRICTED TO -
MATERIAL SEE TABLE	FINISH SEE TABLE	WEIGHT 1,54 gr	SCALE 6:1 SHEET 1 OF 1 REV C

Mouser Electronics

Authorized Distributor

Click to View Pricing, Inventory, Delivery & Lifecycle Information:

[TE Connectivity:](#)

[1577641-1](#)