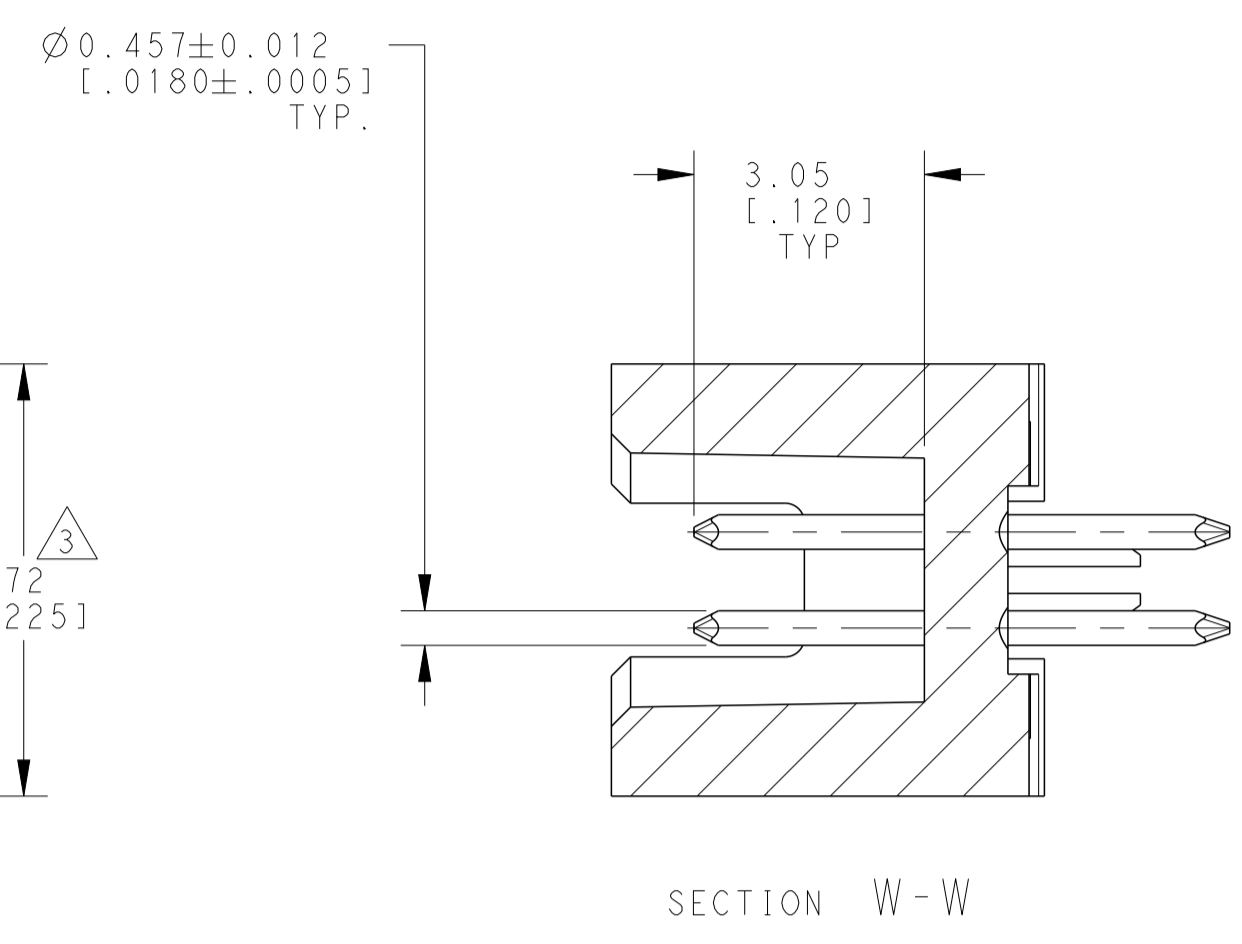
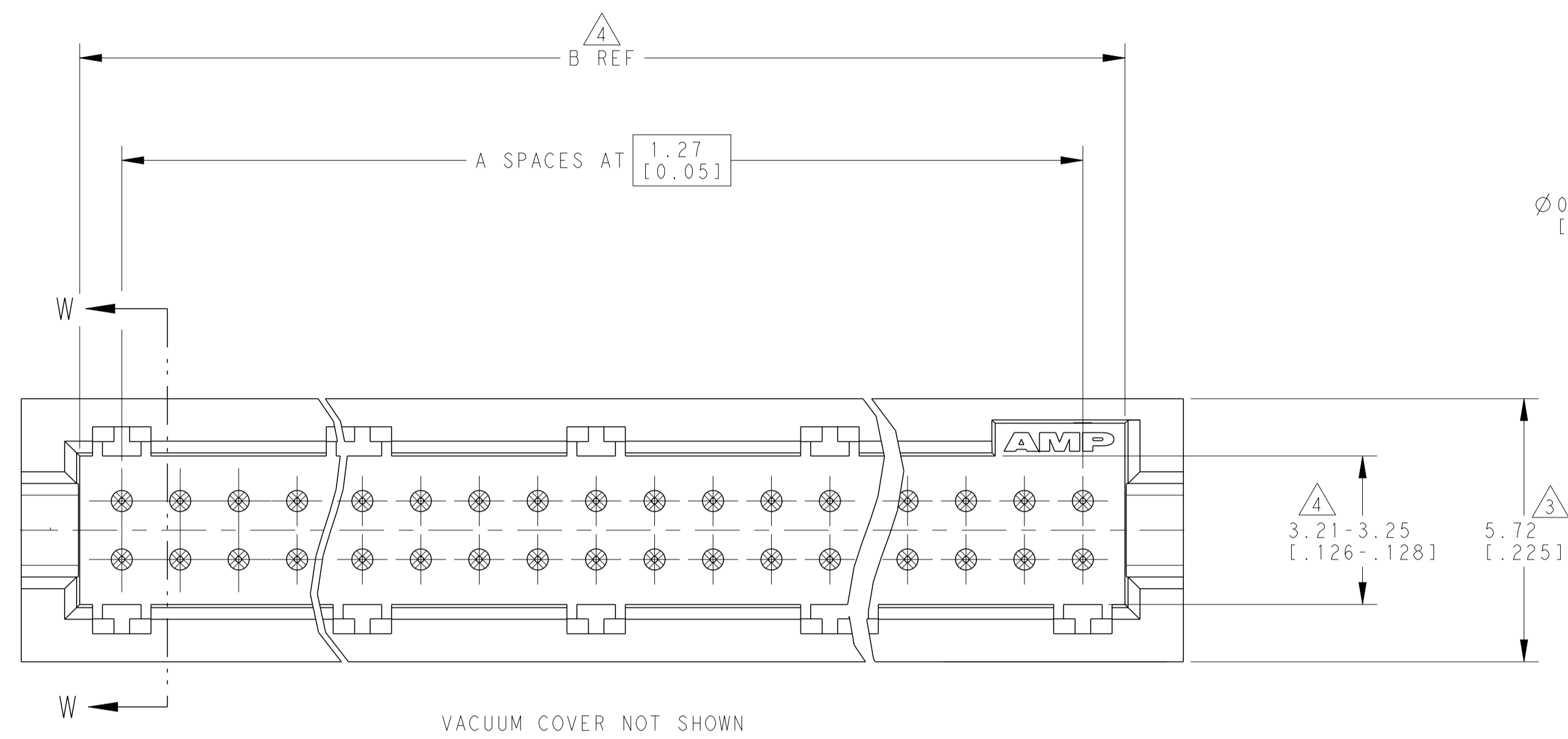
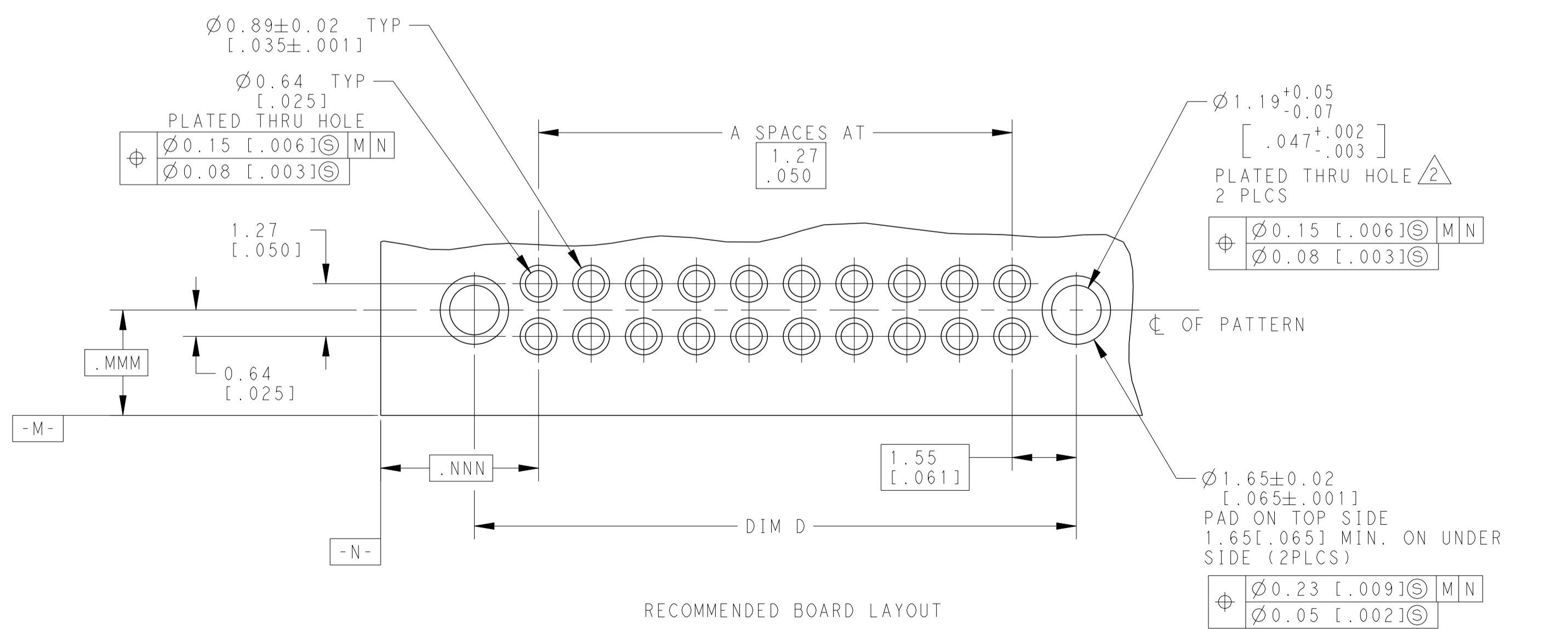
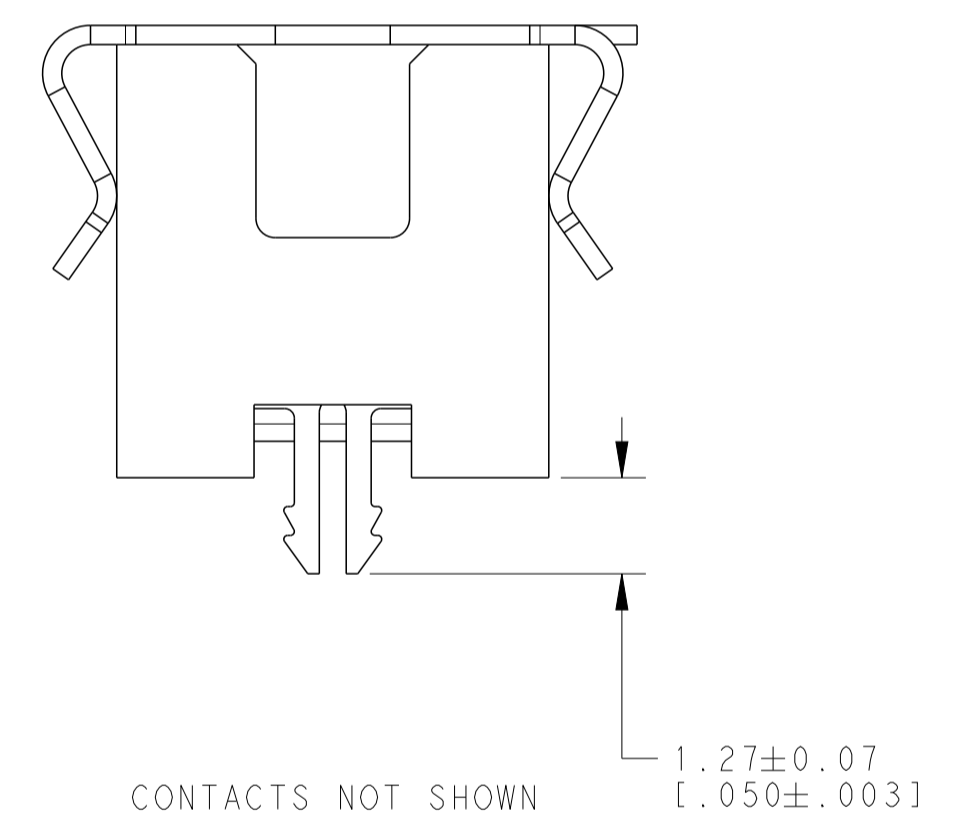
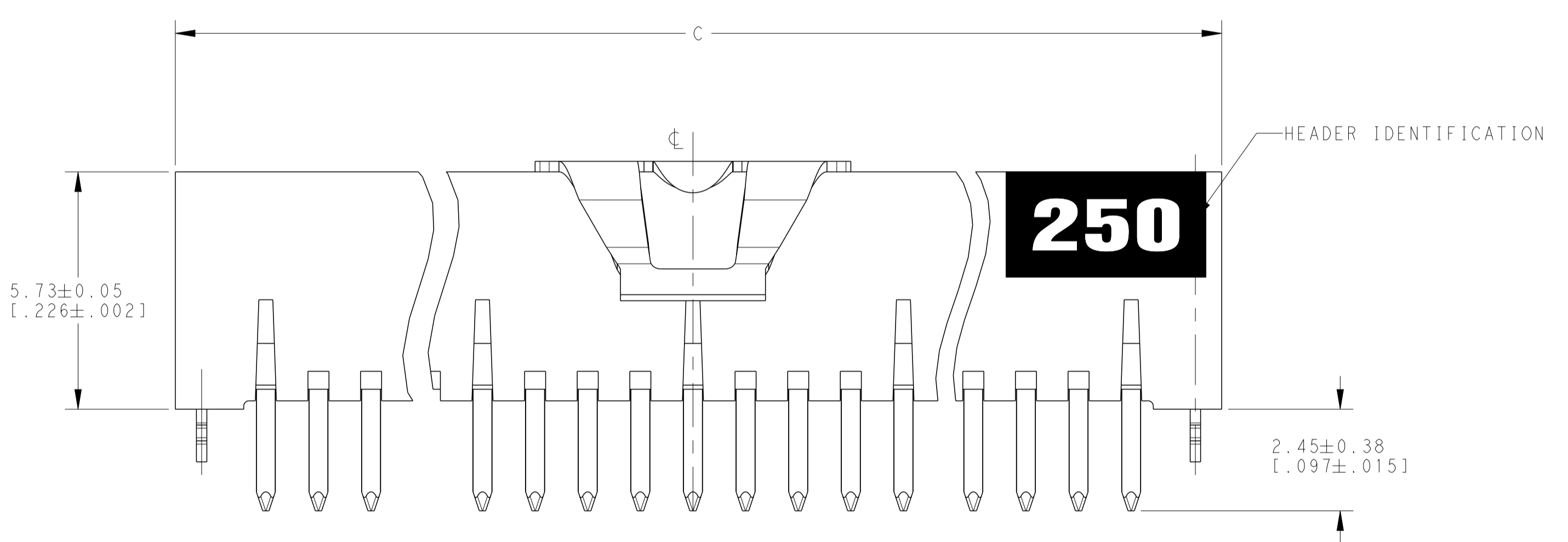


REVISIONS				
P	LTN	DESCRIPTION	DATE	OWN APVD
A1		REVISED PER ECO-19-005786	12APR2019	RS JO



- 1 0.00076[.000030] GOLD AT POINT OF MEASUREMENT, 0.00051[.000020] MIN AT THE END OF AREA G, (LOCALIZED GOLD PLATE AREA), 0.0038[.000150] TIN-LEAD ON LOCALIZED TIN PLATED AREA, ALL OVER 0.0013[.000050] NICKEL
 - 2 USE 1.32±0.002[.052±.001] DRILLED HOLE (#55 DRILL). FINISH TO BE TIN OVER 0.02[.001]MIN COPPER.
 - 3 DIMENSION APPLIES AT BASE OF SHROUD.
 - 4 THE NOTED DIMENSIONS APPLY AT THE MATING FACE OF THE HOUSING.
 - 5 0.0038 [0.000150] TIN LEAD ON HOLD DOWN, ALL OVER 0.0013 [0.000050] NICKEL.
 - 6. IF PLANNING TO USE MORE THAN ONE MATING PAIR OF CONNECTORS TO INTERCONNECT 2 BOARDS, PLEASE REFER TO THE SPACING PARAGRAPH IN APPLICATION SPEC, #114-7010
 - 7. NOTE DELETED
 - 8 DIMENSIONS NOTED APPLY FROM THE BASIC DIMENSION LINE (NOT THE CIRCUIT CAVITY CENTER LINE) TO THE SURFACE INDICATED.
 - 9 0.00076[.000030] GOLD AT POINT OF MEASUREMENT, 0.00051[.000020] MIN AT THE END POINTS OF AREA G, (LOCALIZED GOLD PLATE AREA), 0.0038[.000150] TIN ON LOCALIZED TIN PLATED AREA, ALL OVER 0.0013[.000050] NICKEL.
 - 10 0.0035[.000150] TIN ON HOLDDOWN, ALL OVER 0.0013[.000050] NICKEL
 - 11 ROHS 2002/95/EC COMPLIANT.
 - 12 HOUSING: LCP, COLOR: BLACK
POST: PHOSPHOR BRONZE
VACUUM COVER: ALUMINIUM
HOLD DOWN: COPPER ALLOY
13. PACKAGED IN TUBES



FINISH	D	C	B	A	NUMBER OF POSITIONS	PART NUMBER
9 10	65.33 [2.572]	66.59 [2.622]	64.05 [2.522]	49	100	6-1571424-1
9 10	58.97 [2.322]	60.24 [2.372]	57.70 [2.272]	44	90	6-1571424-0
9 10	52.63 [2.072]	53.89 [2.122]	51.35 [2.022]	39	80	5-1571424-9
9 10	46.28 [1.822]	47.54 [1.872]	45.00 [1.772]	34	70	5-1571424-8
9 10	39.93 [1.572]	41.19 [1.622]	38.65 [1.522]	29	60	5-1571424-7
9 10	33.58 [1.322]	34.84 [1.372]	32.30 [1.272]	24	50	5-1571424-6
9 10	8.18 [.322]	9.44 [.312]	6.90 [.272]	4	10	5-1571424-5
9 10	20.88 [.822]	22.14 [.872]	19.60 [.772]	14	30	5-1571424-4
9 10	14.53 [.572]	15.79 [.622]	13.25 [.522]	9	20	5-1571424-3
9 10	11.98 [.472]	13.25 [.522]	10.72 [.422]	7	16	5-1571424-2
9 10	27.23 [1.072]	28.49 [1.122]	25.95 [1.022]	19	40	5-1571424-1
1 5	65.33 [2.572]	66.59 [2.622]	64.05 [2.522]	49	100	1-1571424-1
1 5	58.97 [2.322]	60.24 [2.372]	57.70 [2.272]	44	90	1-1571424-0
1 5	52.63 [2.072]	53.89 [2.122]	51.35 [2.022]	39	80	1571424-9
1 5	46.28 [1.822]	47.54 [1.872]	45.00 [1.772]	34	70	1571424-8
1 5	39.93 [1.822]	41.19 [1.622]	38.65 [1.522]	29	60	1571424-7
1 5	33.58 [1.322]	34.84 [1.372]	32.30 [1.272]	24	50	1571424-6
1 5	8.18 [.322]	9.44 [.312]	6.90 [.272]	4	10	1571424-5
1 5	20.88 [.822]	22.14 [.872]	19.60 [.772]	14	30	1571424-4
1 5	14.53 [.572]	15.79 [.622]	13.25 [.522]	9	20	1571424-3
1 5	11.98 [.472]	13.25 [.522]	10.72 [.522]	7	16	1571424-2
1 5	27.23 [1.072]	28.49 [1.122]	25.95 [1.022]	19	40	1571424-1

THIS DRAWING IS A CONTROLLED DOCUMENT. DIMENSIONS: mm [INCH]. TOLERANCES UNLESS OTHERWISE SPECIFIED: 0 PLC ±, 1 PLC ±, 2 PLC ±, 3 PLC ±, 4 PLC ±, ANGLES ±. MATERIAL: SEE TABLE. FINISH: SEE TABLE.

OWN: RAVI, S. 01APR2019. CHK: J. OLSON. 01APR2019. APVD: J. OLSON. 01APR2019. NAME: HDR ASSY, AMPMODU 50/50 GRID (6.35[.250] MATED HEIGHT) THROUGH HOLE. PRODUCT SPEC: 108-1332. APPLICATION SPEC: 114-7010. WEIGHT: -. SIZE: 100779. CAGE CODE: 1571424. RESTRICTED TO: A1. SCALE: 10:1. SHEET: 1 OF 1. REV: A1.

STE TE Connectivity

Mouser Electronics

Authorized Distributor

Click to View Pricing, Inventory, Delivery & Lifecycle Information:

[5-1571424-5](#)