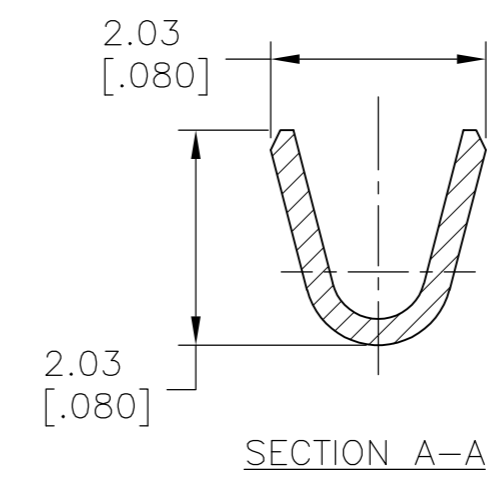
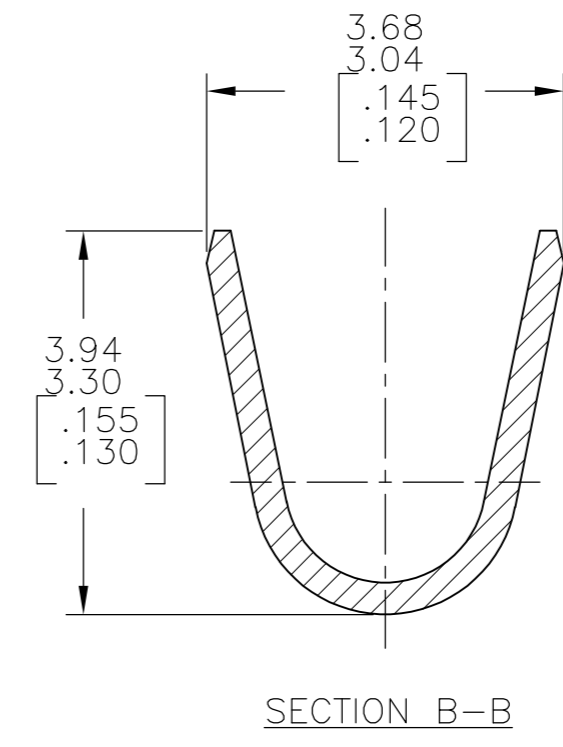
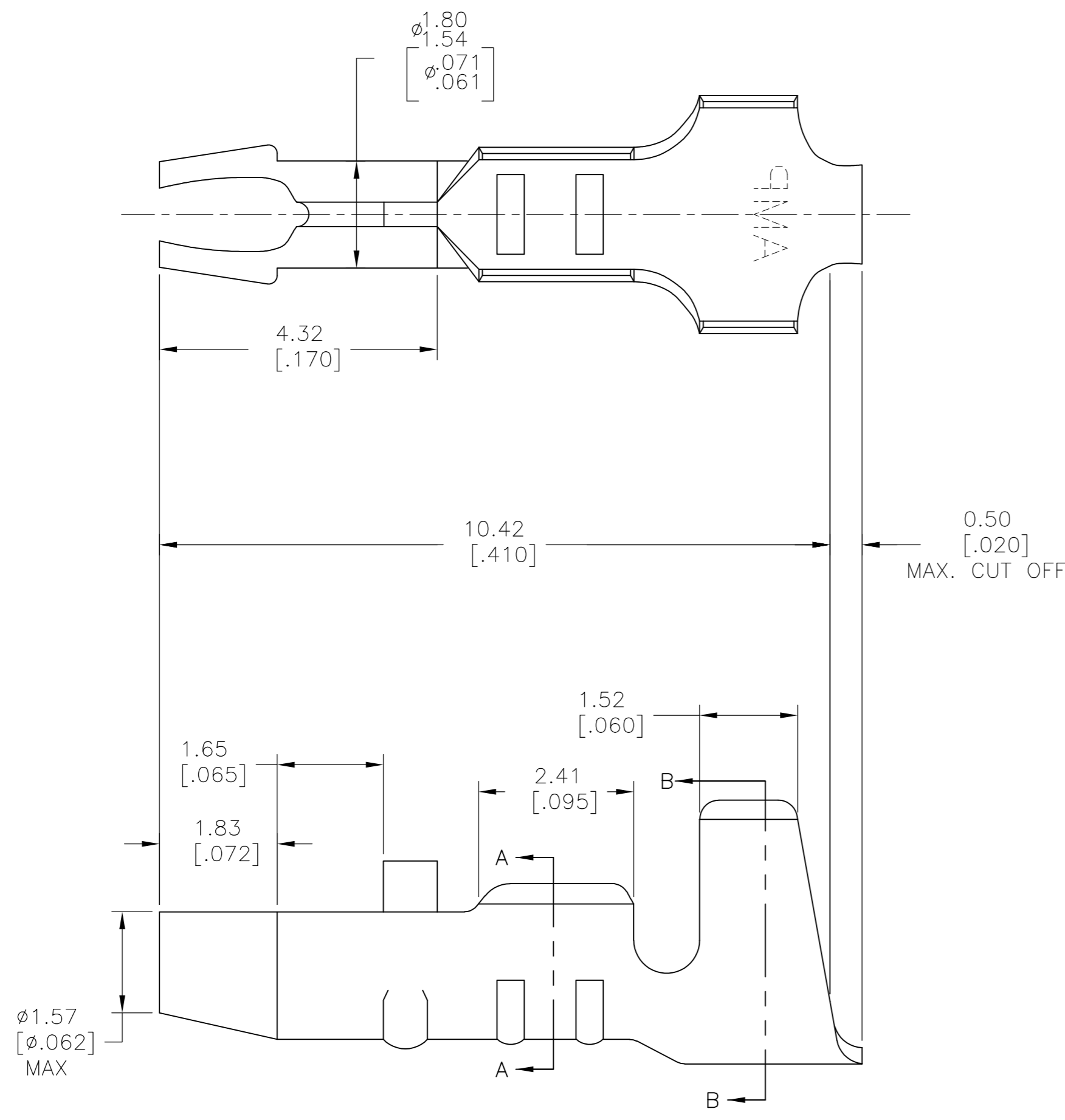


THIS DRAWING IS UNPUBLISHED. RELEASED FOR PUBLICATION
 © COPYRIGHT - By - ALL RIGHTS RESERVED.

LOC		DIST		REVISIONS			
P	LTR	DESCRIPTION		DATE	DWN	APVD	
	C1	REDRAWN PER ECR-15-001205		29JAN2015	NK	CJ	

- CONNECTS #24-#20 AWG STRANDED WIRE.
- INSULATION $\phi 1.52-\phi 2.79$ [.060-.110].
- TO BE SOLDERED INTO A 1.60 [.063] THK. PC BOARD WITH A 1.90 [.075] 1.68 [.066] HOLE DIA.



SUPERSEDED BY 154645-2	PRE TIN	BRASS	154645-4
OBSOLETE	POST TIN OVER NICKEL	PHOS BRZE.	154645-3
OBSOLETE	POST TIN OVER NICKEL	BRASS	154645-2
OBSOLETE	NONE	BRASS	154645-1
	FINISH	MATERIAL	PART NUMBER

THIS DRAWING IS A CONTROLLED DOCUMENT.		DWN	29JAN2015	 TE Connectivity AMP-IN TERMINAL			
DIMENSIONS: mm [INCHES]		CHK	29JAN2015			SIZE	CAGE CODE
TOLERANCES UNLESS OTHERWISE SPECIFIED:		NAGALAKSHMI K				DRAWING NO	RESTRICTED TO
0 PLC ± -		JACONO GENE				SCALE	SHEET
1 PLC ± -		JACONO GENE		14:1	1 of 1		
2 PLC ± 0.25 [.010]		JACONO GENE		REV	C1		
3 PLC ± -		JACONO GENE		CUSTOMER DRAWING			
4 PLC ± -		JACONO GENE		SCALE 14:1 SHEET 1 of 1 REV C1			
ANGLES ± -		FINISH					
WIRE RANGE 24-20		MATERIAL SEE TABLE					
		FINISH SEE TABLE					
		WEIGHT -					

Mouser Electronics

Authorized Distributor

Click to View Pricing, Inventory, Delivery & Lifecycle Information:

[TE Connectivity:](#)

[154645-2](#)