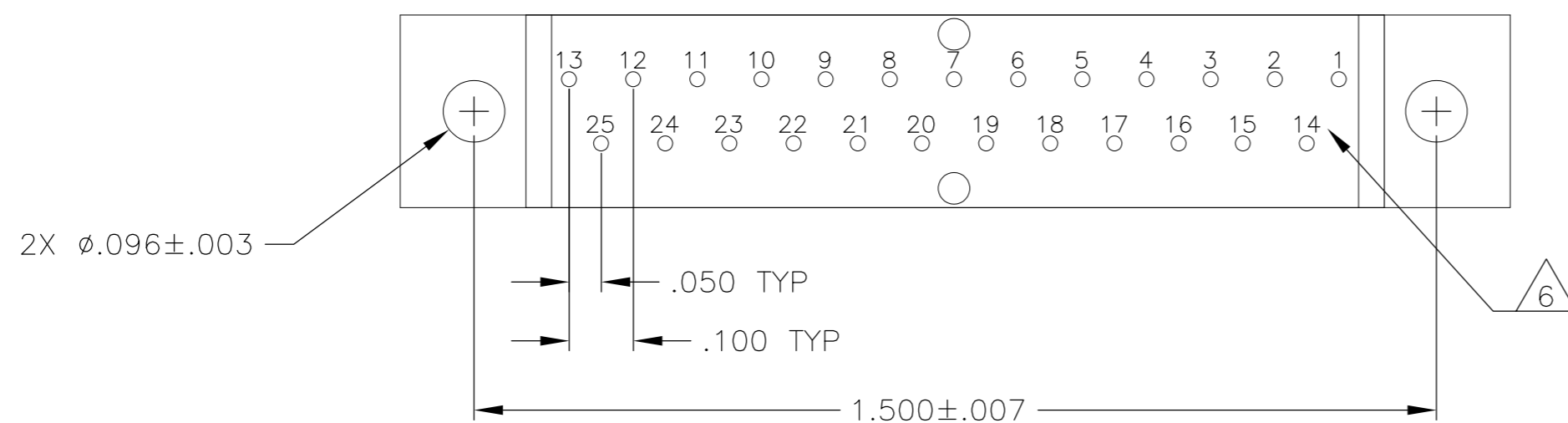
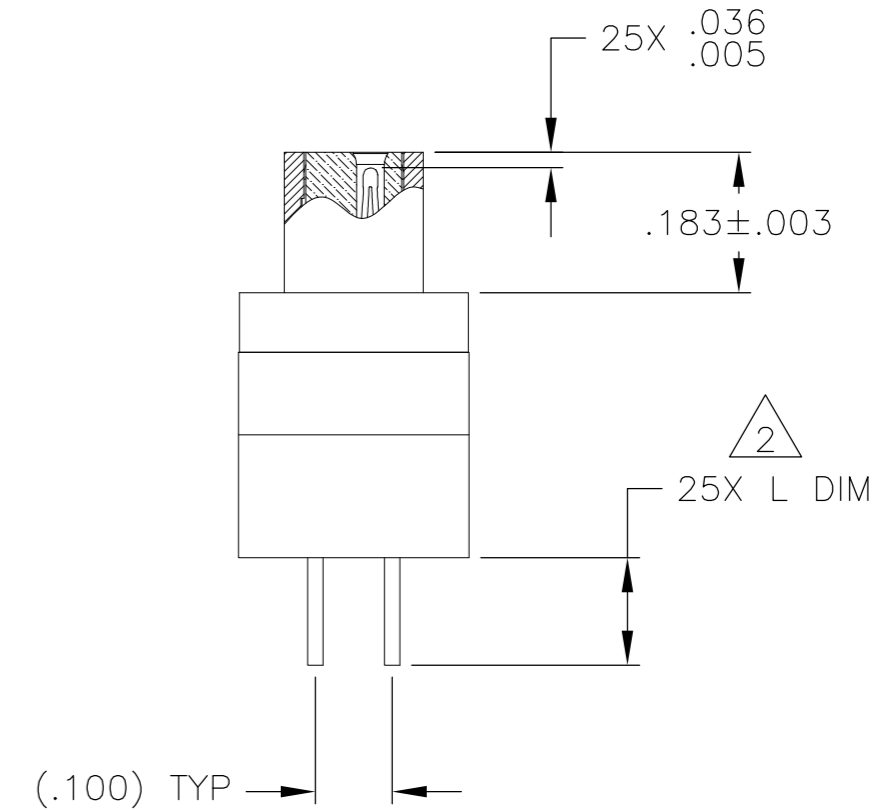
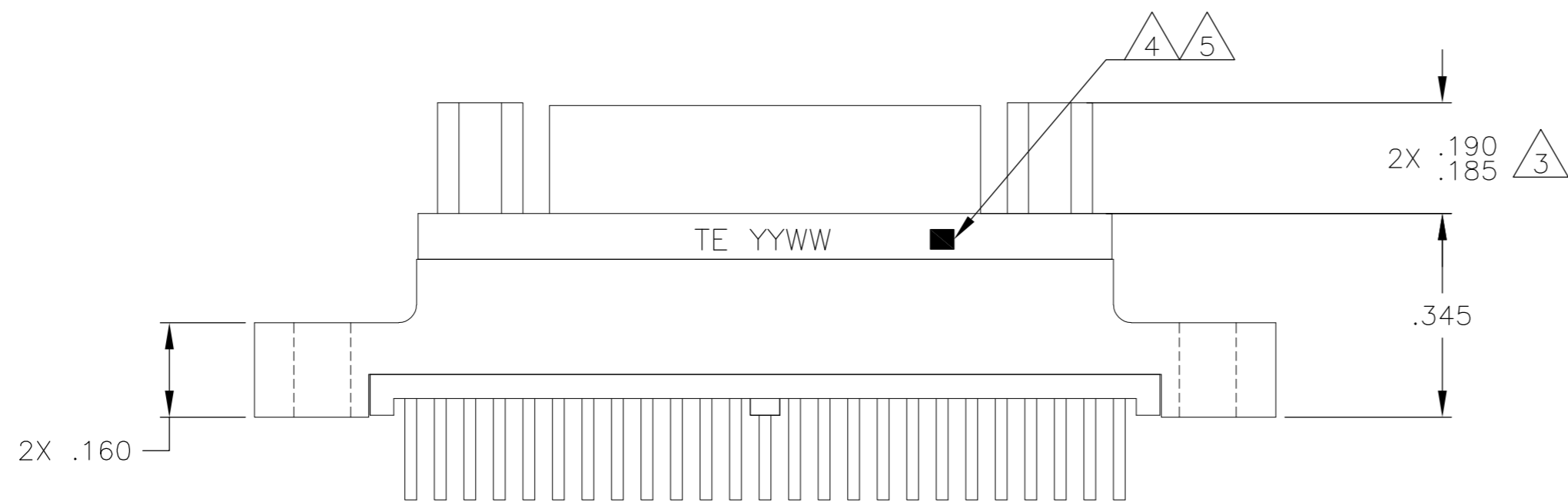
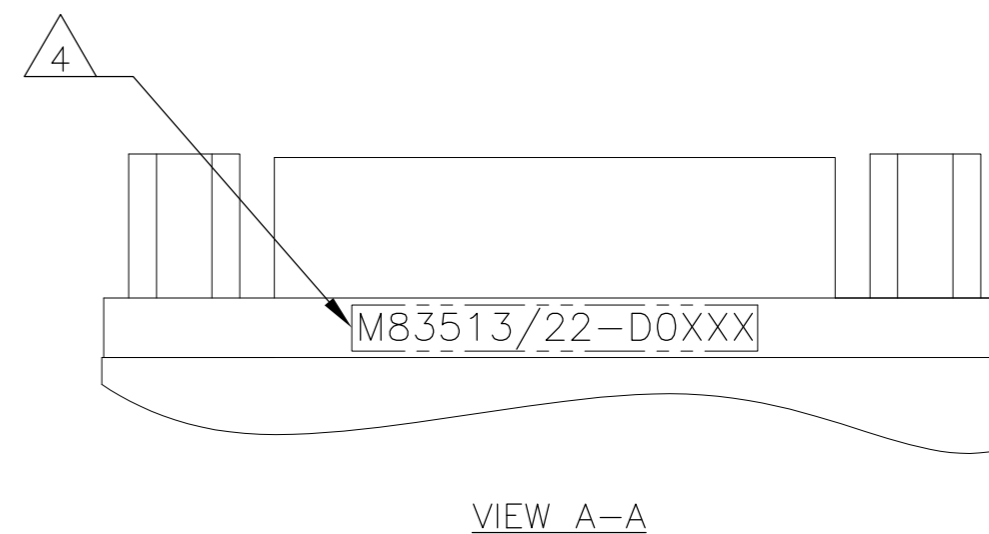
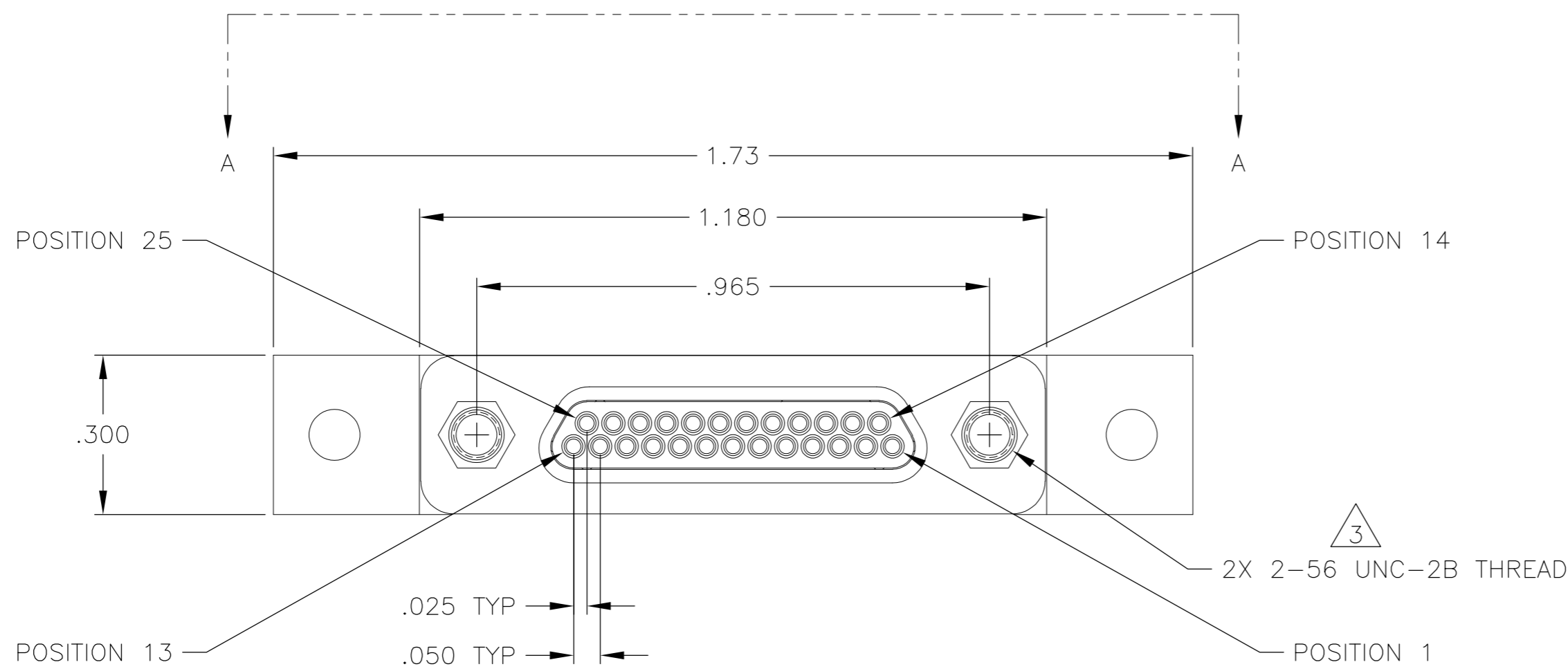


THIS DRAWING IS UNPUBLISHED. RELEASED FOR PUBLICATION
 © COPYRIGHT - By - ALL RIGHTS RESERVED.

LOC		DIST		REVISIONS			
P	LTR	DESCRIPTION		DATE	DWN	APVD	
	A	INITIAL RELEASE		2 JUL 12	CAS	MKS	



JACKPOSTS OMITTED FOR CLARITY

SEE SHEET 2 FOR NOTES

THIS DRAWING IS A CONTROLLED DOCUMENT.		DWN C SCHOLL	2 JUL 12	STE TE Connectivity	
DIMENSIONS: INCHES		CHK -	-		
TOLERANCES UNLESS OTHERWISE SPECIFIED:		APVD M STORRY	2 JUL 12	NAME	
0 PLC ± -		PRODUCT SPEC		PLUG ASSEMBLY, MCKS, ST1 STRAIGHT TERMINATION, PCB MOUNT, 2 ROW, SIZE 25, PER MIL-DTL-83513/22	
1 PLC ± -		APPLICATION SPEC		SIZE	RESTRICTED TO
2 PLC ± .010		-		A2	-
3 PLC ± .005		-		CAGE CODE	DRAWING NO
4 PLC ± -		-		98278	1532269
ANGLES ± 1°		WEIGHT		SCALE	
MATERIAL SEE NOTES		-		4:1	
FINISH SEE NOTES		CUSTOMER DRAWING		SHEET	
				1 of 2	
				REV	
				A	

THIS DRAWING IS UNPUBLISHED. RELEASED FOR PUBLICATION
 © COPYRIGHT - By - ALL RIGHTS RESERVED.

LOC		DIST		REVISIONS			
P	LTR	DESCRIPTION	DATE	DWN	APVD		
-	-	SEE SHEET 1	-	-	-		

TE PART NUMBER	MIL-DTL-83513 PIN	MCKS DESCRIPTION	SHELL FINISH $\triangle 1$	HARDWARE $\triangle 3$	L DIM $\pm .015$
1532269-1	M83513/22-D01CN	MCKS-C2-B-25PST1	CADMIUM	NONE	.109
1532269-2	M83513/22-D01CP	MCKS-C2-P-25PST1	CADMIUM	JACKPOSTS	.109
1532269-3	M83513/22-D01NN	MCKS-N1-B-25PST1	NICKEL	NONE	.109
1532269-4	M83513/22-D01NP	MCKS-N1-P-25PST1	NICKEL	JACKPOSTS	.109
1532269-5	M83513/22-D02CN	MCKS-C2-B-25PST1A	CADMIUM	NONE	.140
1532269-6	M83513/22-D02CP	MCKS-C2-P-25PST1A	CADMIUM	JACKPOSTS	.140
1532269-7	M83513/22-D02NN	MCKS-N1-B-25PST1A	NICKEL	NONE	.140
1532269-8	M83513/22-D02NP	MCKS-N1-P-25PST1A	NICKEL	JACKPOSTS	.140
1532269-9	M83513/22-D03CN	MCKS-C2-B-25PST1B	CADMIUM	NONE	.172
1-1532269-0	M83513/22-D03CP	MCKS-C2-P-25PST1B	CADMIUM	JACKPOSTS	.172
1-1532269-1	M83513/22-D03NN	MCKS-N1-B-25PST1B	NICKEL	NONE	.172
1-1532269-2	M83513/22-D03NP	MCKS-N1-P-25PST1B	NICKEL	JACKPOSTS	.172

- $\triangle 1$ SHELL MATERIAL: 6061-T6 ALUMINUM
 FINISH OPTIONS:
 ELECTROLESS NICKEL PLATED PER SAE-AMS-C-26074 OR SAE AMS 2404 OR CADMIUM PLATED PER SAE-AMS-QQ-P-416 WITH YELLOW CHROMATE
 INSULATOR: LIQUID CRYSTAL POLYMER (LCP)
 HARDWARE: 300 SERIES STAINLESS STEEL
 TB BOX: POLYPHENYLENE SULFIDE (PPS) AND EPOXY POTTING
- $\triangle 2$ TERMINATION: 24AWG GOLD PLATED COPPER WIRE, Sn63Pb37 SOLDER DIPPED UP TO MOUNTING SURFACE AT A MINIMUM
- $\triangle 3$ JACKPOST HARDWARE SHALL BE PERMANENTLY INSTALLED AS SHOWN WHEN REQUIRED BY THE MIL PIN. JACKPOST DIMENSIONS AND REQUIREMENTS ARE DEFINED IN MIL-DTL-83513/5.
- $\triangle 4$ CONNECTOR SHALL BE MARKED IN ACCORDANCE WITH METHOD I OF MIL-STD-1285. MARKING SHALL CONTAIN THE MILITARY PIN, CAGE CODE (OR TE), AND DATE CODE. EXAMPLE: M83513/22-DOXXX TE YYWW (WHERE XXX IS PART OF THE PIN SHOWN IN THE "MIL-DTL-83513 PIN" COLUMN OF THE PART NUMBER TABLE, AND YYWW IS THE DATE CODE). FOR THE SIZE 25 PLUG, THE MARKING MUST BE PRINTED ON BOTH SIDES OF THE FLANGE. TEXT HEIGHT SHALL BE .035 INCH MINIMUM.
- $\triangle 5$ POSITION 1 SHALL BE INDICATED BY AN IDENTIFIABLE MARK, LOCATED APPROXIMATELY AS SHOWN ON THE POSITION 1 SIDE OF THE CONNECTOR FLANGE. THIS MARK SHALL BE INCLUDED AS PART OF THE PART MARKING INFORMATION.
- $\triangle 6$ TERMINAL IDENTIFICATION NUMBERS AS SHOWN DO NOT ACTUALLY APPEAR ON THE PART (FOR IDENTIFICATION ONLY)
- 7 ALL REQUIREMENTS CONFORM TO MIL-DTL-83513/22. SEE MIL-SPEC FOR DETAILED INTERFACE DIMENSIONS AND SUGGESTED PCB LAYOUTS

THIS DRAWING IS A CONTROLLED DOCUMENT.		DWN C SCHOLL	2 JUL 12		
DIMENSIONS: INCHES		CHK -	-		
TOLERANCES UNLESS OTHERWISE SPECIFIED:		APVD M STORRY	2 JUL 12	NAME	
0 PLC \pm -		PRODUCT SPEC		PLUG ASSEMBLY, MCKS, ST1 STRAIGHT TERMINATION, PCB MOUNT, 2 ROW, SIZE 25, PER MIL-DTL-83513/22	
1 PLC \pm -		APPLICATION SPEC		SIZE	RESTRICTED TO
2 PLC \pm .010		WEIGHT		CAGE CODE	DRAWING NO
3 PLC \pm .005		-		A2	98278
4 PLC \pm -		-		DRAWING NO	
ANGLES \pm 1°		-		C=1532269	
MATERIAL	FINISH	CUSTOMER DRAWING		SCALE	SHEET
SEE NOTES	SEE NOTES	-		4:1	2 of 2
				REV	A

Mouser Electronics

Authorized Distributor

Click to View Pricing, Inventory, Delivery & Lifecycle Information:

[TE Connectivity:](#)

[1532269-2](#)