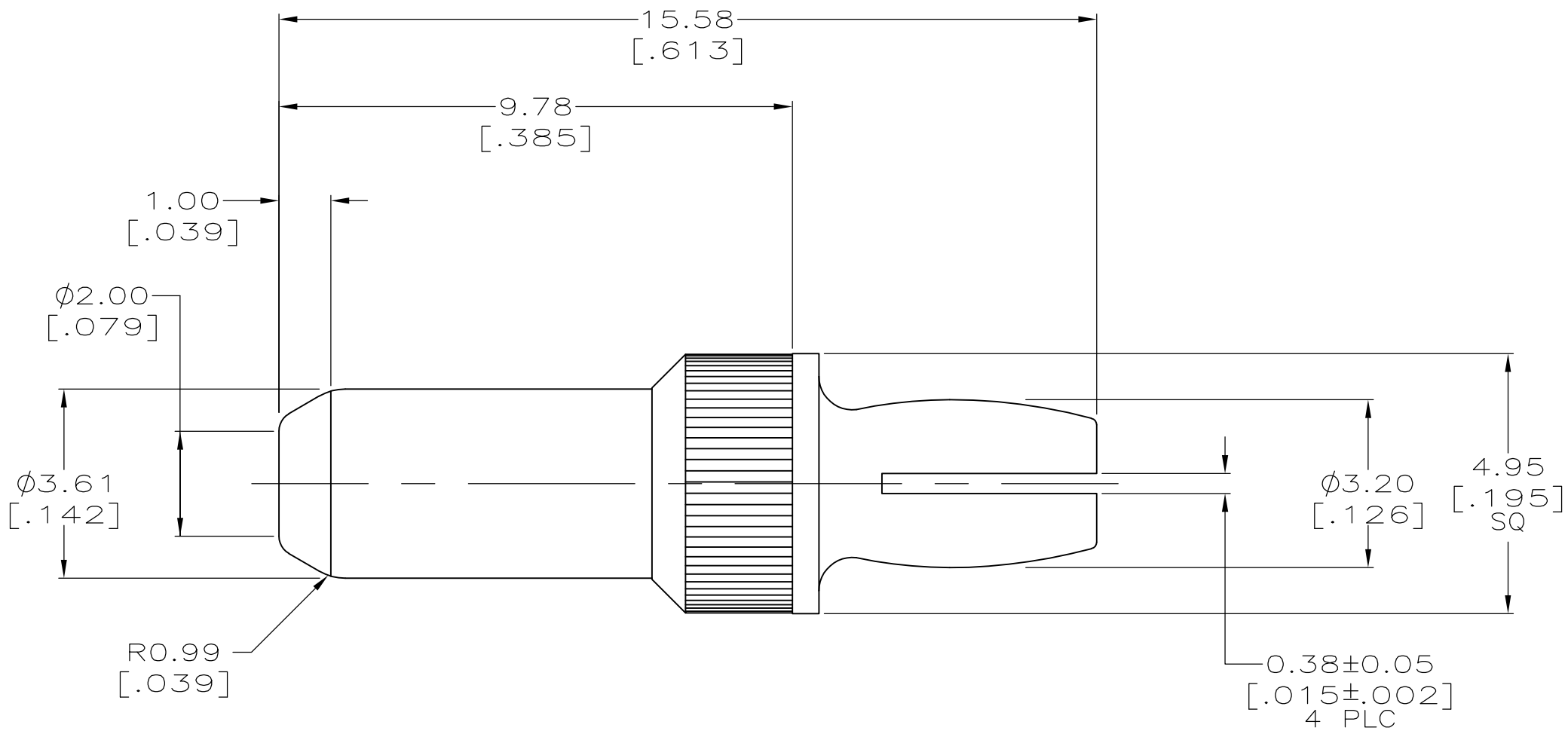


LOC	DIST	REVISIONS					
AD	00	P	LTR	DESCRIPTION	DATE	DWN	APVD
			B	REV PER EC 0S12-0302-05	05DEC05	BC	GS
			C	ECR-10-019054	15SEP10	DP	MQW



- ① CONTACT: COPPER ALLOY.
- ② CONTACT: 0.76 $\mu$ m[.000030] MIN GOLD OVER 1.27 $\mu$ m[.000050] MIN NICKEL.
- 3. COMPLIANT PIN REQUIRES A 2.36[.093] MIN THICK PC BOARD. DRILLED HOLES ARE  $\phi$ 3.13 $\pm$ 0.08 [.123 $\pm$ .003] WITH 0.05 $\pm$ 0.025[.002 $\pm$ .001] COPPER AND 0.005[.0001] MIN TIN-LEAD. FINISHED HOLE SIZE TO BE 3 $\pm$ 0.08[.118 $\pm$ .003].

148546-1  
 PART NUMBER

THIS DRAWING IS A CONTROLLED DOCUMENT.		DWN	B.CARBO	25 AUG 99	Tyco Electronics Corporation Harrisburg, PA 17105-3608
DIMENSIONS: mm [INCHES]		CHK	C.RICHARD	25 AUG 99	
		APVD	C.RICHARD	25 AUG 99	
TOLERANCES UNLESS OTHERWISE SPECIFIED:		PRODUCT SPEC		NAME	
0-PLC $\pm$ $\pm$ $\pm$ 0.2 1-PLC $\pm$ $\pm$ $\pm$ 2-PLC $\pm$ 0.13 [.005] 3-PLC $\pm$ $\pm$ $\pm$ 4-PLC $\pm$ $\pm$ $\pm$ ANGLES $\pm$ $\pm$ $\pm$		APPLICATION SPEC		POWER CONTACT, MALE, PRESS FIT, (40 AMP)	
MATERIAL	FINISH	WEIGHT	SIZE		RESTRICTED TO
①	②	-	A3	00779	-
CUSTOMER DRAWING			DRAWING NO	C-148546	
			SCALE	10:1	SHEET 1 of 1
			REV	C	

# Mouser Electronics

Authorized Distributor

Click to View Pricing, Inventory, Delivery & Lifecycle Information:

[TE Connectivity:](#)

[148546-1](#)