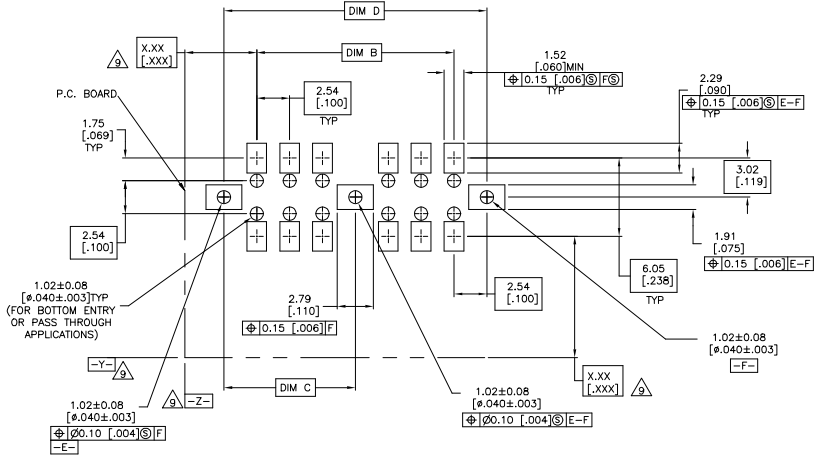
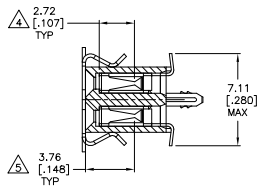
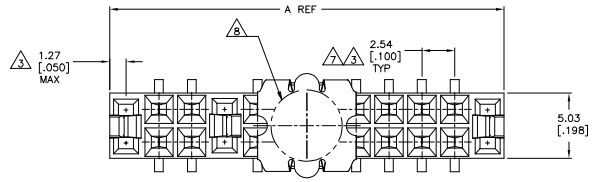
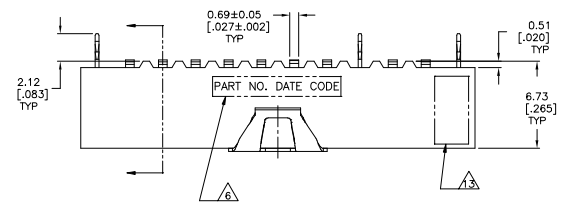


8 7 6 5 4 3 2 1

THIS DRAWING IS UNPUBLISHED.
ALL RIGHTS RESERVED.

REPRODUCED FOR FABRICATOR
ALL RIGHTS RESERVED.

REVISIONS			
#	DATE	BY	APP'D
1	17JAN2019	KJK	PS



RECOMMENDED PC BOARD PAD PATTERN
0.02[.008] THICK STENCIL

FINISH	EIA TAPE WIDTH	D		C		B		A		NO OF POSN	PART NUMBER
		MIN	MAX	MIN	MAX	MIN	MAX	MIN	MAX		
▲▲	N/A	106.68	4.200	53.34	2.100	101.6	4.000	109.22	4.300	80	4-147747-0
▲▲	120mm	104.14	4.100	50.80	2.000	99.06	3.900	106.68	4.200	78	3-147747-9
▲▲		101.60	4.000	50.80	2.000	96.52	3.800	104.14	4.100	76	3-147747-8
▲▲		99.06	3.900	48.26	1.900	93.98	3.700	101.6	4.000	74	3-147747-7
▲▲		96.52	3.800	48.26	1.900	91.44	3.600	99.06	3.900	72	3-147747-6
▲▲		93.98	3.700	45.72	1.800	88.9	3.500	96.52	3.800	70	3-147747-5
▲▲		88.90	3.500			83.82	3.300	91.44	3.600	68	3-147747-4
▲▲		86.36	3.400			81.28	3.200	88.9	3.500	66	3-147747-3
▲▲		83.82	3.300			78.74	3.100	86.36	3.400	64	3-147747-2
▲▲		81.28	3.200			76.2	3.000	83.82	3.300	62	3-147747-1
▲▲	88mm	78.74	3.100			71.12	2.900	81.28	3.200	60	3-147747-0
▲▲		76.20	3.000			71.12	2.800	78.74	3.100	58	2-147747-9
▲▲		71.12	2.900			68.58	2.700	76.2	3.000	56	2-147747-8
▲▲		71.12	2.800			66.04	2.600	71.12	2.900	54	2-147747-7
▲▲		68.58	2.700			63.5	2.500	71.12	2.800	52	2-147747-6
▲▲		66.04	2.600			60.96	2.400	68.58	2.700	50	2-147747-5
▲▲	72mm	63.50	2.500			58.42	2.300	66.04	2.600	48	2-147747-4
▲▲		60.96	2.400			55.88	2.200	63.5	2.500	46	2-147747-3
▲▲		58.42	2.300			53.34	2.100	60.96	2.400	44	2-147747-2
▲▲		55.88	2.200			50.8	2.000	58.42	2.300	42	2-147747-1
▲▲		48.26	1.900			45.72	1.800	55.88	2.200	40	2-147747-0
▲▲		50.80	2.000			45.72	1.800	53.34	2.100	38	1-147747-9
▲▲		48.26	1.900			43.18	1.700	50.8	2.000	36	1-147747-8
▲▲		45.72	1.800			40.64	1.600	48.26	1.900	34	1-147747-7
▲▲		43.18	1.700			38.1	1.500	45.72	1.800	32	1-147747-6
▲▲		40.64	1.600			35.56	1.400	43.18	1.700	30	1-147747-5
▲▲		38.10	1.500			33.02	1.300	40.64	1.600	28	1-147747-4
▲▲		35.56	1.400			30.48	1.200	38.1	1.500	26	1-147747-3
▲▲		33.02	1.300			27.94	1.100	35.56	1.400	24	1-147747-2
▲▲		30.48	1.200			25.4	1.000	33.02	1.300	22	1-147747-1
▲▲		27.94	1.100			22.86	.900	30.48	1.200	20	1-147747-0
▲▲	44mm	25.40	1.000			20.32	.800	27.94	1.100	18	147747-9
▲▲		22.86	.900			17.78	.700	25.4	1.000	16	147747-8
▲▲		20.32	.800			15.24	.600	22.86	.900	14	147747-7
▲▲		17.78	.700			12.7	.500	20.32	.800	12	147747-6
▲▲		15.24	.600			10.16	.400	17.78	.700	10	147747-5
▲▲		12.70	.500			7.62	.300	15.24	.600	8	147747-4
▲▲		10.16	.400			5.08	.200	12.7	.500	6	147747-3
▲▲	24mm	7.62	.300			2.54	.100	10.16	.400	4	147747-2
▲▲		5.08	.200					7.62	.300	2	147747-1

THIS DRAWING IS A CONTROLLED DOCUMENT

AMP TE Connectivity Ltd.

AMPMODU, RCPT ASSY, MOD IV, DR.
VERTICAL, DUAL ENTRY, 100X.100 C/L
SMT.

114-25018 108-25022

114-25018 108-25022

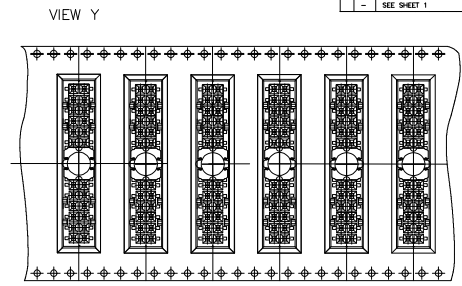
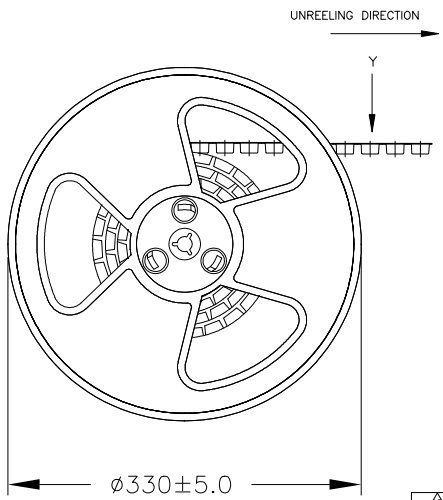
114-25018 108-25022

A100779 147747

CUSTOMER DRAWING

SCALE: 6:1

SHEET 2 OF 2



- △ HOUSING: GLASS FILLED, FLAME RETARDANT POLYESTER, BLACK CONTACTS: PHOSPHOR BRONZE, VACUUM COVER: STAINLESS STEEL
- △ CONTACTS: DUPLEX PLATED-0.76μm[.000030] GOLD IN CONTACT AREA, 3.81-7.62μm [.000150-.000300] BRIGHT TIN-LEAD ON LEADS, ALL OVER 1.27μm [.000050] MIN NICKEL.
- △ DIMENSION APPLIES TO HOUSING CAVITY CENTERLINES ONLY.
- △ POINT OF MEASUREMENT FOR PLATING THICKNESS.
- △ POINT OF CONTACT DIMENSION.
- △ MARK PART NUMBER AND DATE CODE IN APPROXIMATE LOCATION SHOWN, EITHER SIDE.
- △ TOLERANCE IS NON-CUMULATIVE.
- △ 5.5 [.217] MIN TARGET AREA FOR VACUUM PICK-UP COVERS TO BE REMOVED AFTER SOLDERING.
- △ DATUMS AND BASIC DIMENSIONS ESTABLISHED BY CUSTOMER.
- △ NO CENTER HOLD DOWNS
- 11 PACKAGED IN TAPES AND REEL PER EIA 481 SPECIFICATIONS.
- △ FOR 2 POS. DATE CODE IS STAMPED OPPOSITE SIDE OF TE LOGO.
- △ TE TRADEMARK AND CSA LOGO ARE MOLDED INTO HOUSING.
- △ NO PART NUMBER MARKING REQUIRED ON THIS PART.
- △ CONTACTS: DUPLEX PLATED-0.76μm[.000030] GOLD IN CONTACT AREA, 3.81-7.62μm [.000150-.000300] MATTE TIN ON LEADS, ALL OVER 1.27μm [.000050] MIN NICKEL.
- △ ROHS 2002/95/EC COMPLIANT

△		106.68	[4.200]	53.34	[2.100]	101.6	[4.000]	109.22	[4.300]	80	△	9-147747-0
△	N/A	104.14	[4.100]	50.8	[2.000]	99.06	[3.900]	106.68	[4.200]	78	△	8-147747-9
△		101.6	[4.000]	50.8	[2.000]	96.52	[3.800]	104.14	[4.100]	76	△	8-147747-8
△		99.06	[3.900]	48.26	[1.900]	93.98	[3.700]	101.6	[4.000]	74	△	8-147747-7
△		96.52	[3.800]	48.26	[1.900]	91.44	[3.600]	99.06	[3.900]	72	△	8-147747-6
△		93.98	[3.700]	45.72	[1.800]	88.9	[3.500]	96.52	[3.800]	70	△	8-147747-5
△	120mm	88.9	[3.500]			83.82	[3.300]	91.44	[3.600]	68	△	8-147747-4
△		86.36	[3.400]			81.28	[3.200]	88.9	[3.500]	66	△	8-147747-3
△		83.82	[3.300]			78.74	[3.100]	86.36	[3.400]	64	△	8-147747-2
△		81.28	[3.200]			76.2	[3.000]	83.82	[3.300]	62	△	8-147747-1
△		78.74	[3.100]			71.12	[2.900]	81.28	[3.200]	60	△	8-147747-0
△		76.2	[3.000]			71.12	[2.800]	78.74	[3.100]	58	△	7-147747-9
△		71.12	[2.900]			68.58	[2.700]	76.2	[3.000]	56	△	7-147747-8
△		71.12	[2.800]			66.04	[2.600]	71.12	[2.900]	54	△	7-147747-7
△		68.58	[2.700]			63.5	[2.500]	71.12	[2.800]	52	△	7-147747-6
△	88mm	66.04	[2.600]			60.96	[2.400]	68.58	[2.700]	50	△	7-147747-5
△		63.5	[2.500]			58.42	[2.300]	66.04	[2.600]	48	△	7-147747-4
△		60.96	[2.400]			55.88	[2.200]	63.5	[2.500]	46	△	7-147747-3
△		58.42	[2.300]			53.34	[2.100]	60.96	[2.400]	44	△	7-147747-2
△		55.88	[2.200]			50.8	[2.000]	58.42	[2.300]	42	△	7-147747-1
△		53.34	[2.100]			48.26	[1.900]	55.88	[2.200]	40	△	7-147747-0
△		50.8	[2.000]			45.72	[1.800]	53.34	[2.100]	38	△	6-147747-9
△	72mm	48.26	[1.900]			43.18	[1.700]	50.8	[2.000]	36	△	6-147747-8
△		45.72	[1.800]			40.64	[1.600]	48.26	[1.900]	34	△	6-147747-7
△		43.18	[1.700]			38.1	[1.500]	45.72	[1.800]	32	△	6-147747-6
△		40.64	[1.600]			35.56	[1.400]	43.18	[1.700]	30	△	6-147747-5
△		38.1	[1.500]			33.02	[1.300]	40.64	[1.600]	28	△	6-147747-4
△		35.56	[1.400]			30.48	[1.200]	38.1	[1.500]	26	△	6-147747-3
△		33.02	[1.300]			27.94	[1.100]	35.56	[1.400]	24	△	6-147747-2
△		30.48	[1.200]			25.4	[1.000]	33.02	[1.300]	22	△	6-147747-1
△		27.94	[1.100]			22.86	[.900]	30.48	[1.200]	20	△	6-147747-0
△		25.4	[1.000]			20.32	[.800]	27.94	[1.100]	18	△	5-147747-9
△		22.86	[.900]			17.78	[.700]	25.4	[1.000]	16	△	5-147747-8
△		20.32	[.800]			15.24	[.600]	22.86	[.900]	14	△	5-147747-7
△		17.78	[.700]			12.7	[.500]	20.32	[.800]	12	△	5-147747-6
△		15.24	[.600]			10.16	[.400]	17.78	[.700]	10	△	5-147747-5
△		12.7	[.500]			7.62	[.300]	15.24	[.600]	8	△	5-147747-4
△		10.16	[.400]			5.08	[.200]	12.7	[.500]	6	△	5-147747-3
△		7.62	[.300]			2.54	[.100]	10.16	[.400]	4	△	5-147747-2
△		5.08	[.200]					7.62	[.300]	2	△	5-147747-1
	FINISH	EIA TAPE WIDTH		D	C	B	A	NO OF POSN		PART NUMBER		

THIS DRAWING IS A CONTROLLED DOCUMENT

DESIGNED BY: J. L. OLSON
 DRAWN BY: J. L. OLSON
 CHECKED BY: J. L. OLSON
 APPROVED BY: J. L. OLSON

DATE: 108-25022
 SIZE: 114-25018

REVISIONS: 1
 DATE: 10/27/98
 BY: J. L. OLSON
 APP'D: J. L. OLSON

CUSTOMER DRAWING

TE Connectivity Ltd.
 RCPT ASSY, MOD IV, DOUBLE ROW,
 VERTICAL, DUAL ENTRY, 100X100 C/L,
 SURFACE MOUNT, AMPHODI

SCALE: 1:1
 SHEET: 2 OF 2

Mouser Electronics

Authorized Distributor

Click to View Pricing, Inventory, Delivery & Lifecycle Information:

[TE Connectivity:](#)

[5-147747-8](#)