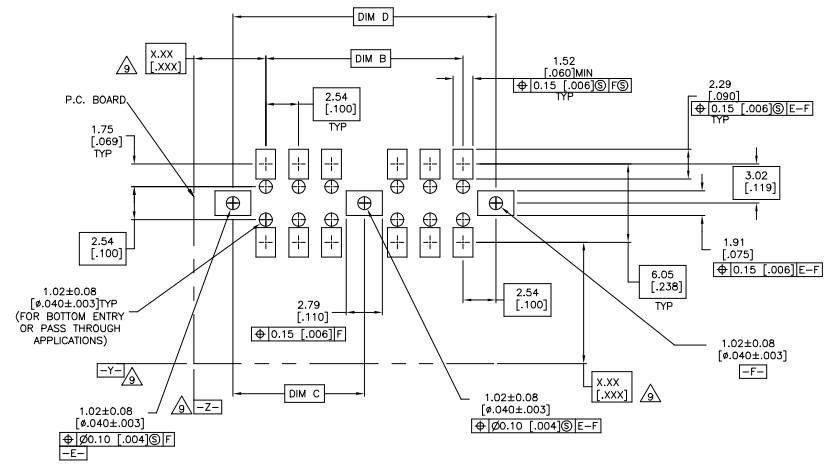
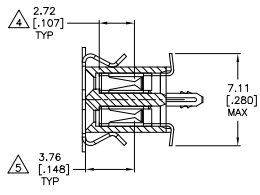
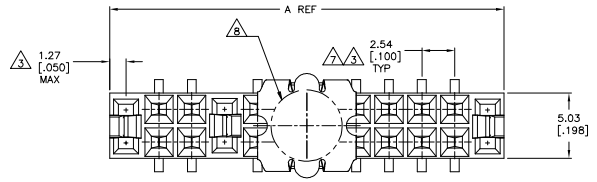
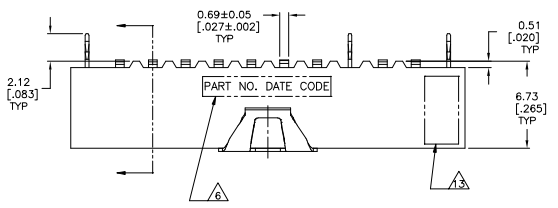


REVISIONS			
#	DATE	BY	APP'D
1	17JUN2019	KJK	PS



RECOMMENDED PC BOARD PAD PATTERN
 0.20[.008] THICK STENCIL

FINISH	EIA TAPE WIDTH	D	C	B	A	NO OF POSN	PART NUMBER
▲▲	N/A	106.68 [4.200]	53.34 [2.100]	101.6 [4.000]	109.22 [4.300]	80	4-147747-0
▲▲	120mm	104.14 [4.100]	50.80 [2.000]	99.06 [3.900]	106.68 [4.200]	78	3-147747-9
▲▲		101.60 [4.000]	50.80 [2.000]	96.52 [3.800]	104.14 [4.100]	76	3-147747-8
▲▲		99.06 [3.900]	48.26 [1.900]	93.98 [3.700]	101.6 [4.000]	74	3-147747-7
▲▲		96.52 [3.800]	48.26 [1.900]	91.44 [3.600]	99.06 [3.900]	72	3-147747-6
▲▲		93.98 [3.700]	45.72 [1.800]	88.9 [3.500]	96.52 [3.800]	70	3-147747-5
▲▲		88.90 [3.500]	▲▲	83.82 [3.300]	91.44 [3.600]	68	3-147747-4
▲▲		86.36 [3.400]	▲▲	81.28 [3.200]	88.9 [3.500]	66	3-147747-3
▲▲		83.82 [3.300]	▲▲	78.74 [3.100]	86.36 [3.400]	64	3-147747-2
▲▲		81.28 [3.200]	▲▲	76.2 [3.000]	83.82 [3.300]	62	3-147747-1
▲▲		78.74 [3.100]	▲▲	71.12 [2.900]	81.28 [3.200]	60	3-147747-0
▲▲		76.20 [3.000]	▲▲	71.12 [2.800]	78.74 [3.100]	58	2-147747-9
▲▲		71.12 [2.900]	▲▲	68.58 [2.700]	76.2 [3.000]	56	2-147747-8
▲▲		71.12 [2.800]	▲▲	66.04 [2.600]	71.12 [2.900]	54	2-147747-7
▲▲		68.58 [2.700]	▲▲	63.5 [2.500]	71.12 [2.800]	52	2-147747-6
▲▲		66.04 [2.600]	▲▲	60.96 [2.400]	68.58 [2.700]	50	2-147747-5
▲▲		63.50 [2.500]	▲▲	58.42 [2.300]	66.04 [2.600]	48	2-147747-4
▲▲		60.96 [2.400]	▲▲	55.88 [2.200]	63.5 [2.500]	46	2-147747-3
▲▲		58.42 [2.300]	▲▲	53.34 [2.100]	60.96 [2.400]	44	2-147747-2
▲▲		55.88 [2.200]	▲▲	50.8 [2.000]	58.42 [2.300]	42	2-147747-1
▲▲		53.34 [2.100]	▲▲	48.26 [1.900]	55.88 [2.200]	40	2-147747-0
▲▲		50.80 [2.000]	▲▲	45.72 [1.800]	53.34 [2.100]	38	1-147747-9
▲▲		48.26 [1.900]	▲▲	43.18 [1.700]	50.8 [2.000]	36	1-147747-8
▲▲		45.72 [1.800]	▲▲	40.64 [1.600]	48.26 [1.900]	34	1-147747-7
▲▲		43.18 [1.700]	▲▲	38.1 [1.500]	45.72 [1.800]	32	1-147747-6
▲▲		40.64 [1.600]	▲▲	35.56 [1.400]	43.18 [1.700]	30	1-147747-5
▲▲		38.10 [1.500]	▲▲	33.02 [1.300]	40.64 [1.600]	28	1-147747-4
▲▲		35.56 [1.400]	▲▲	30.48 [1.200]	38.1 [1.500]	26	1-147747-3
▲▲		33.02 [1.300]	▲▲	27.94 [1.100]	35.56 [1.400]	24	1-147747-2
▲▲		30.48 [1.200]	▲▲	25.4 [1.000]	33.02 [1.300]	22	1-147747-1
▲▲		27.94 [1.100]	▲▲	22.86 [.900]	30.48 [1.200]	20	1-147747-0
▲▲		25.40 [1.000]	▲▲	20.32 [.800]	27.94 [1.100]	18	147747-9
▲▲		22.86 [.900]	▲▲	17.78 [.700]	25.4 [1.000]	16	147747-8
▲▲		20.32 [.800]	▲▲	15.24 [.600]	22.86 [.900]	14	147747-7
▲▲		17.78 [.700]	▲▲	12.7 [.500]	20.32 [.800]	12	147747-6
▲▲		15.24 [.600]	▲▲	10.16 [.400]	17.78 [.700]	10	147747-5
▲▲		12.70 [.500]	▲▲	7.62 [.300]	15.24 [.600]	8	147747-4
▲▲		10.16 [.400]	▲▲	5.08 [.200]	12.7 [.500]	6	147747-3
▲▲		7.62 [.300]	▲▲	2.54 [.100]	10.16 [.400]	4	147747-2
▲▲		5.08 [.200]	▲▲	▲▲	7.62 [.300]	2	147747-1

THIS DRAWING IS A CONTROLLED DOCUMENT

DESIGNED BY: J. OLSON
 DRAWN BY: J. OLSON
 CHECKED BY: J. OLSON
 APPROVED BY: J. OLSON

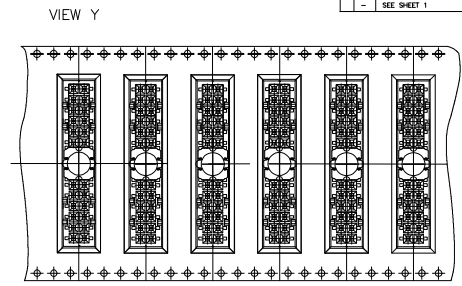
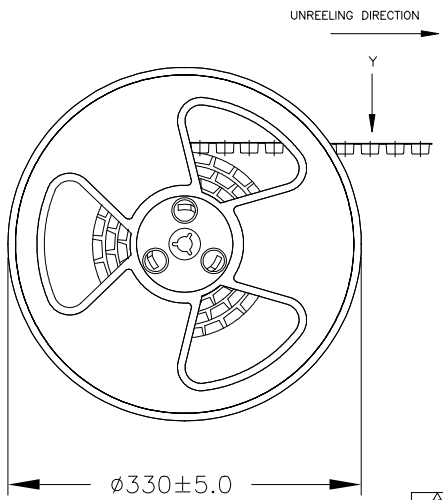
DATE: 108-25022
 DRAWING NO: 114-25018
 SIZE: 114-25018
 SHEET: 2 OF 2

AMPAD00, RCPT ASSY, MOD IV, DR, VERTICAL, DUAL ENTRY, 100X.100 C/L, SMT.

REVISED TO: 147747-4

CUSTOMER DRAWING

SCALE: 6:1



- ▲ HOUSING: GLASS FILLED, FLAME RETARDANT POLYESTER, BLACK CONTACTS: PHOSPHOR BRONZE, VACUUM COVER: STAINLESS STEEL
- ▲ CONTACTS: DUPLEX PLATED-0.76μm[.000030] GOLD IN CONTACT AREA, 3.81-7.62μm [.000150-.000300] BRIGHT TIN-LEAD ON LEADS, ALL OVER 1.27μm [.000050] MIN NICKEL.
- ▲ DIMENSION APPLIES TO HOUSING CAVITY CENTERLINES ONLY.
- ▲ POINT OF MEASUREMENT FOR PLATING THICKNESS.
- ▲ POINT OF CONTACT DIMENSION.
- ▲ MARK PART NUMBER AND DATE CODE IN APPROXIMATE LOCATION SHOWN, EITHER SIDE.
- ▲ TOLERANCE IS NON-CUMULATIVE.
- ▲ 5.5 [.217] MIN TARGET AREA FOR VACUUM PICK-UP COVERS TO BE REMOVED AFTER SOLDERING.
- ▲ DATUMS AND BASIC DIMENSIONS ESTABLISHED BY CUSTOMER.
- ▲ NO CENTER HOLD DOWNS
- 11 PACKAGED IN TAPES AND REEL PER EIA 481 SPECIFICATIONS.
- ▲ FOR 2 POS. DATE CODE IS STAMPED OPPOSITE SIDE OF TE LOGO.
- ▲ TE TRADEMARK AND CSA LOGO ARE MOLDED INTO HOUSING.
- ▲ NO PART NUMBER MARKING REQUIRED ON THIS PART.
- ▲ CONTACTS: DUPLEX PLATED-0.76μm[.000030] GOLD IN CONTACT AREA, 3.81-7.62μm [.000150-.000300] MATTE TIN ON LEADS, ALL OVER 1.27μm [.000050] MIN NICKEL.
- ▲ ROHS 2002/95/EC COMPLIANT

▲		106.68	[4.200]	53.34	[2.100]	101.6	[4.000]	109.22	[4.300]	80	▲	9-147747-0
▲		104.14	[4.100]	50.8	[2.000]	99.06	[3.900]	106.68	[4.200]	78	▲	8-147747-9
▲		101.6	[4.000]	50.8	[2.000]	96.52	[3.800]	104.14	[4.100]	76	▲	8-147747-8
▲		99.06	[3.900]	48.26	[1.900]	93.98	[3.700]	101.6	[4.000]	74	▲	8-147747-7
▲		96.52	[3.800]	48.26	[1.900]	91.44	[3.600]	99.06	[3.900]	72	▲	8-147747-6
▲		93.98	[3.700]	45.72	[1.800]	88.9	[3.500]	96.52	[3.800]	70	▲	8-147747-5
▲	120mm	88.9	[3.500]			83.82	[3.300]	91.44	[3.600]	68	▲	8-147747-4
▲		86.36	[3.400]			81.28	[3.200]	88.9	[3.500]	66	▲	8-147747-3
▲		83.82	[3.300]			78.74	[3.100]	86.36	[3.400]	64	▲	8-147747-2
▲		81.28	[3.200]			76.2	[3.000]	83.82	[3.300]	62	▲	8-147747-1
▲		78.74	[3.100]			71.12	[2.900]	81.28	[3.200]	60	▲	8-147747-0
▲		76.2	[3.000]			71.12	[2.800]	78.74	[3.100]	58	▲	7-147747-9
▲		71.12	[2.900]			68.58	[2.700]	76.2	[3.000]	56	▲	7-147747-8
▲		71.12	[2.800]			66.04	[2.600]	71.12	[2.900]	54	▲	7-147747-7
▲		68.58	[2.700]			63.5	[2.500]	71.12	[2.800]	52	▲	7-147747-6
▲	88mm	66.04	[2.600]			60.96	[2.400]	68.58	[2.700]	50	▲	7-147747-5
▲		63.5	[2.500]			58.42	[2.300]	66.04	[2.600]	48	▲	7-147747-4
▲		60.96	[2.400]			55.88	[2.200]	63.5	[2.500]	46	▲	7-147747-3
▲		58.42	[2.300]			53.34	[2.100]	60.96	[2.400]	44	▲	7-147747-2
▲		55.88	[2.200]			50.8	[2.000]	58.42	[2.300]	42	▲	7-147747-1
▲		53.34	[2.100]			48.26	[1.900]	55.88	[2.200]	40	▲	7-147747-0
▲		50.8	[2.000]			45.72	[1.800]	53.34	[2.100]	38	▲	6-147747-9
▲	72mm	48.26	[1.900]			43.18	[1.700]	50.8	[2.000]	36	▲	6-147747-8
▲		45.72	[1.800]			40.64	[1.600]	48.26	[1.900]	34	▲	6-147747-7
▲		43.18	[1.700]			38.1	[1.500]	45.72	[1.800]	32	▲	6-147747-6
▲		40.64	[1.600]			35.56	[1.400]	43.18	[1.700]	30	▲	6-147747-5
▲		38.1	[1.500]			33.02	[1.300]	40.64	[1.600]	28	▲	6-147747-4
▲		35.56	[1.400]			30.48	[1.200]	38.1	[1.500]	26	▲	6-147747-3
▲		33.02	[1.300]			27.94	[1.100]	35.56	[1.400]	24	▲	6-147747-2
▲		30.48	[1.200]			25.4	[1.000]	33.02	[1.300]	22	▲	6-147747-1
▲		27.94	[1.100]			22.86	[.900]	30.48	[1.200]	20	▲	6-147747-0
▲		25.4	[1.000]			20.32	[.800]	27.94	[1.100]	18	▲	5-147747-9
▲		22.86	[.900]			17.78	[.700]	25.4	[1.000]	16	▲	5-147747-8
▲		20.32	[.800]			15.24	[.600]	22.86	[.900]	14	▲	5-147747-7
▲		17.78	[.700]			12.7	[.500]	20.32	[.800]	12	▲	5-147747-6
▲		15.24	[.600]			10.16	[.400]	17.78	[.700]	10	▲	5-147747-5
▲		12.7	[.500]			7.62	[.300]	15.24	[.600]	8	▲	5-147747-4
▲		10.16	[.400]			5.08	[.200]	12.7	[.500]	6	▲	5-147747-3
▲		7.62	[.300]			2.54	[.100]	10.16	[.400]	4	▲	5-147747-2
▲	24mm	5.08	[.200]					7.62	[.300]	2	▲	5-147747-1
	FINISH											
	EIA TAPE WIDTH		D		C		B		A		NO OF POSN	PART NUMBER

THIS DRAWING IS A CONTROLLED DOCUMENT

DESIGNED BY: J. OLSON
 DRAWN BY: J. OLSON
 CHECKED BY: J. OLSON
 APPROVED BY: J. OLSON

DATE: 108-25022
 DRAWING NO: 114-25018
 SIZE: A1
 SHEET: 2 OF 2

REVISIONS: 1

CUSTOMER DRAWING

TE Connectivity Ltd.
 RCPT ASSY, MOD IV, DOUBLE ROW, VERTICAL, DUAL ENTRY, 100X100 C/L SURFACE MOUNT, AMPMODII

Mouser Electronics

Authorized Distributor

Click to View Pricing, Inventory, Delivery & Lifecycle Information:

[TE Connectivity:](#)

[6-147747-7](#)