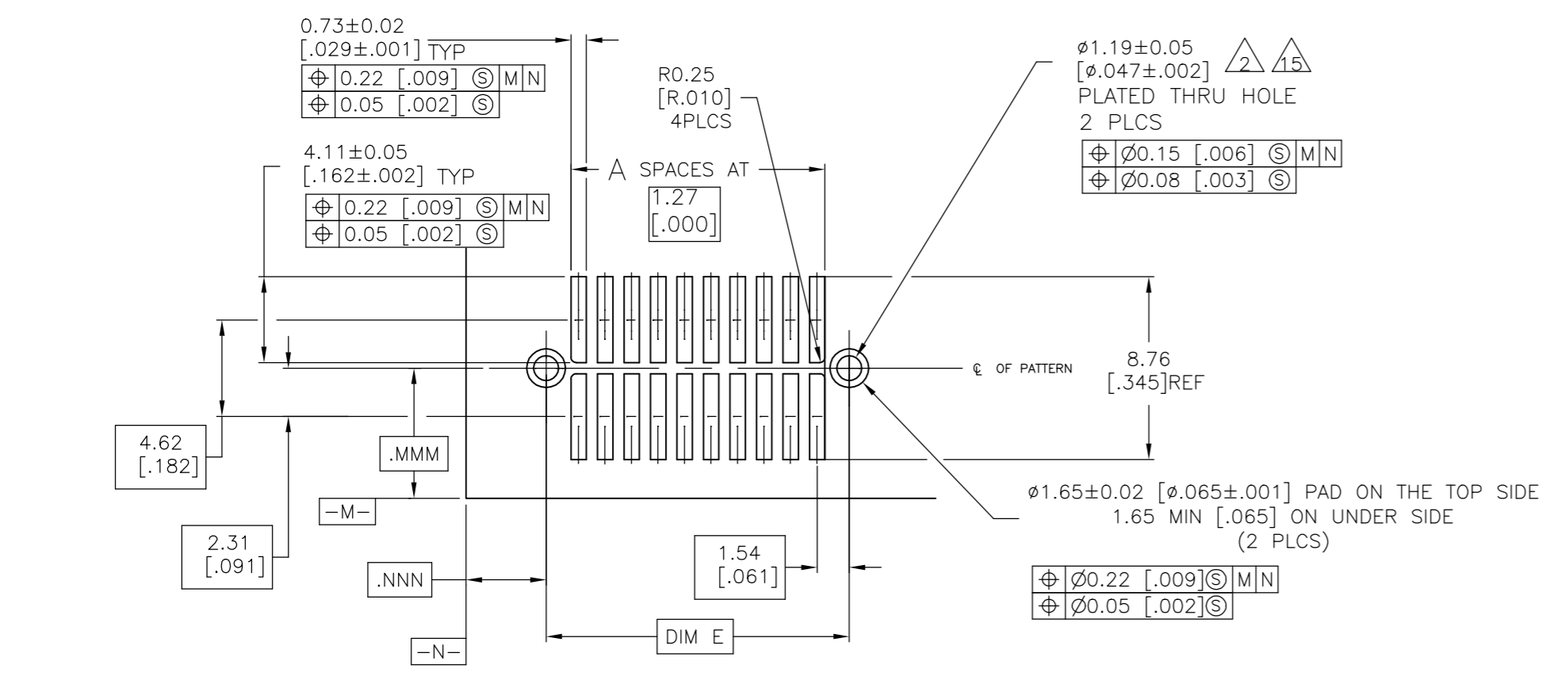
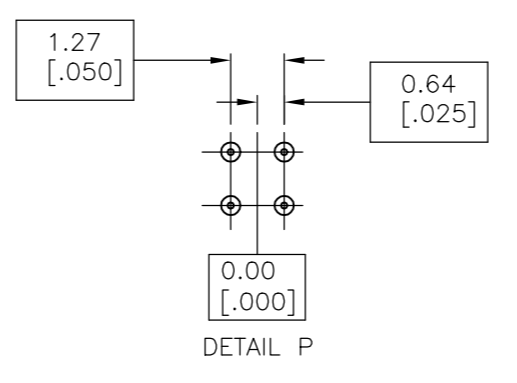
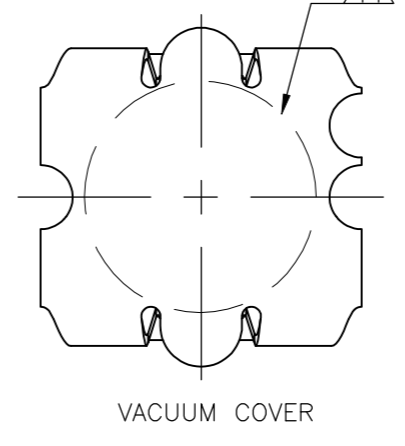
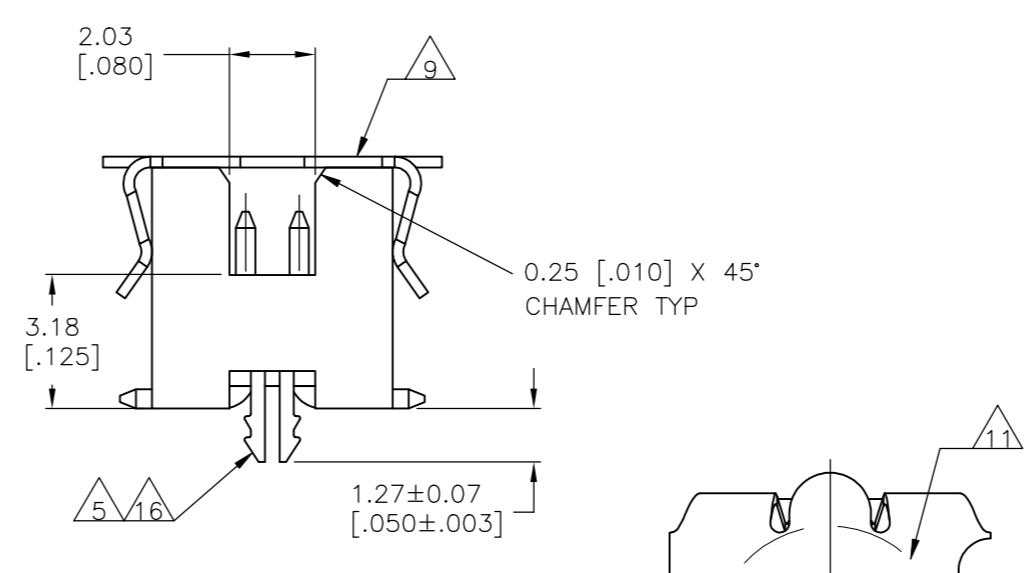
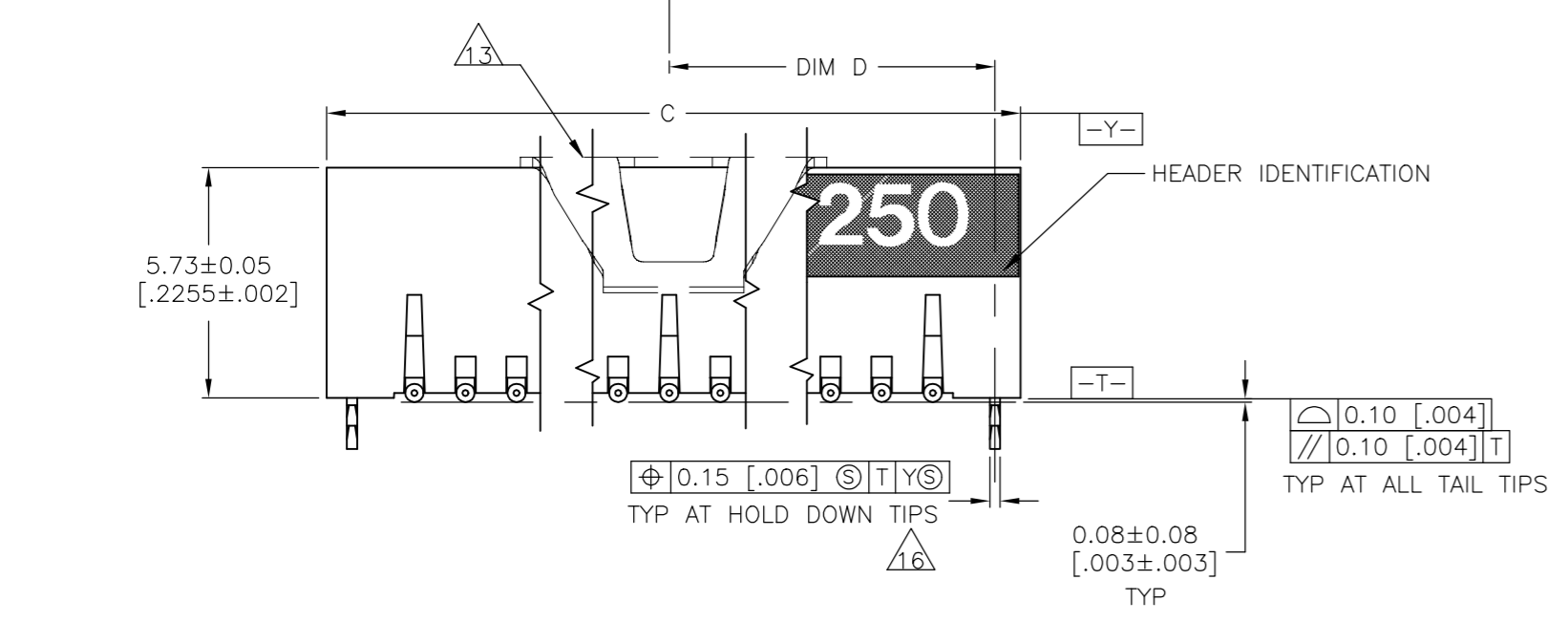
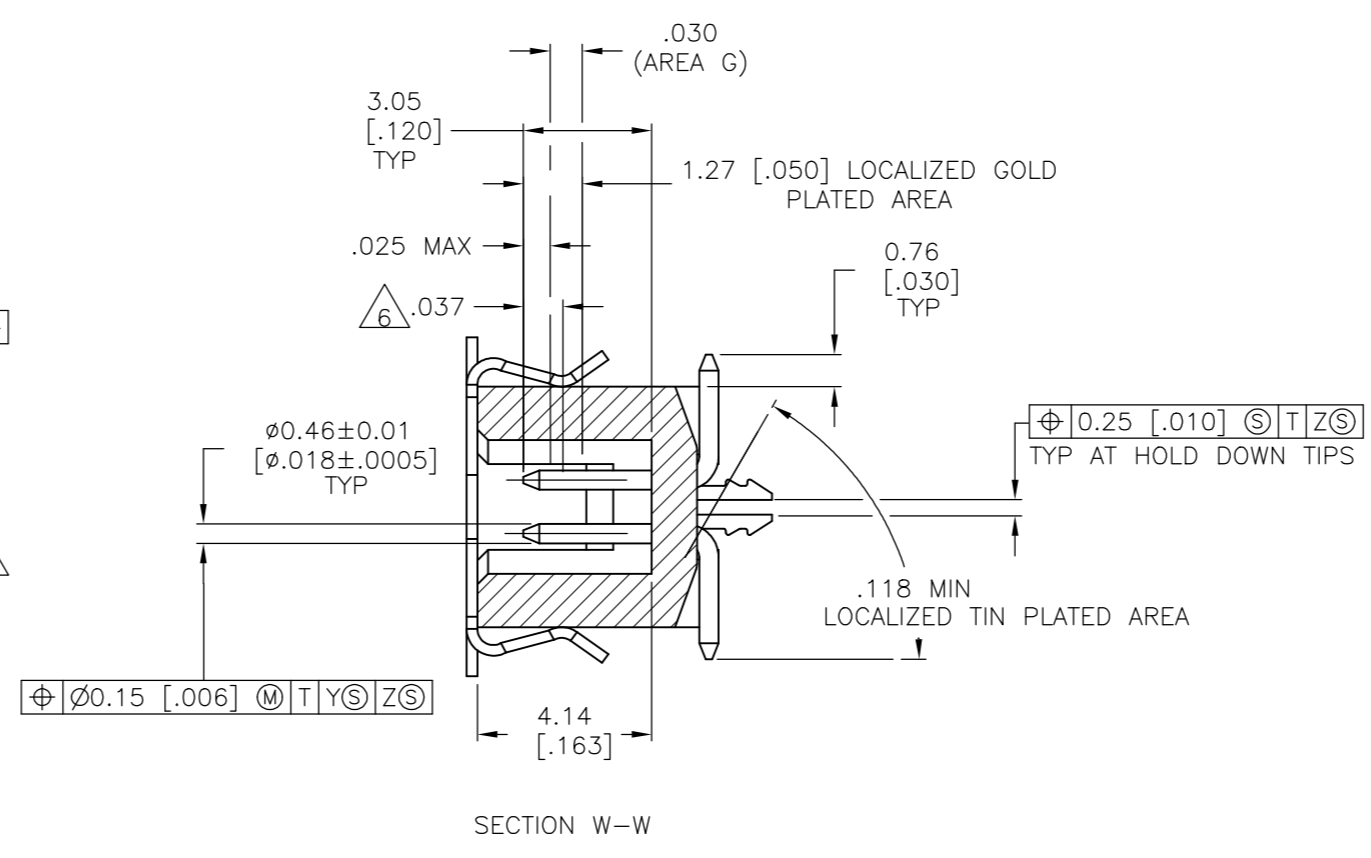
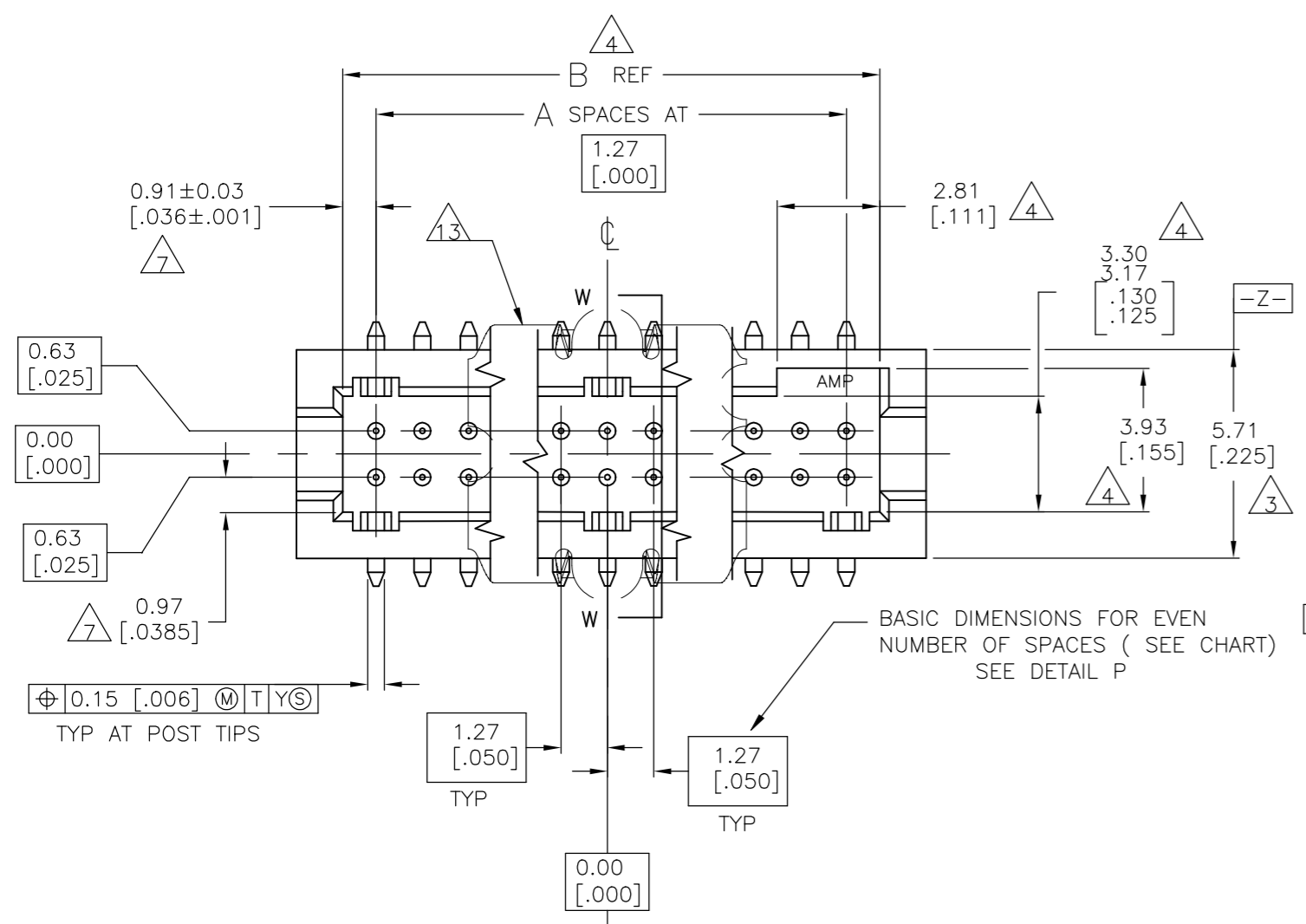


REVISIONS					
P	LR	DESCRIPTION	DATE	DWN	APVD
C2		REVISED PER ECO-09-021826	07JAN10	KK	AEG
C3		REVISED PER ECO-17-009871	07JUL2017	RS	JO
D		REVISED PER ECO-17-016552	21NOV2017	RS	JO
D1		REVISED PER ECO-17-017496	01DEC2017	RS	JO



- 1. 0.00076[.000030] GOLD AT POINT OF MEASUREMENT, 0.00051[.000020] MIN AT THE END POINTS OF AREA G, (LOCALIZED PLATE AREA), 0.0038[.000150] TIN-LEAD ON LOCALIZED TIN-LEAD PLATED AREA, ALL OVER 0.0013[.000050] NICKEL
- 2. USE 1.55±0.02 [.0610±.0010] DRILLED HOLE (1.55mm DRILL). FINISH TO BE TIN-LEAD OVER 0.02 [.001] MIN COPPER.
- 3. DIMENSION APPLIES AT BASE OF SHROUD.
- 4. THE NOTED DIMENSIONS APPLY AT THE MATING FACE OF THE HOUSING.
- 5. 0.0038 [.000150] TIN-LEAD ON HOLD DOWN, ALL OVER 0.0013 [.000050] NICKEL.
- 6. POINT OF MEASUREMENT.
- 7. DIMENSIONS NOTED APPLY FROM THE BASIC DIMENSION LINE (NOT THE CIRCUIT CAVITY CENTER LINE) TO THE SURFACE INDICATED.
- 8. IF PLANNING TO USE MORE THAN ONE MATING PAIR OF CONNECTORS TO INTERCONNECT 2 BOARDS, PLEASE REFER TO PARA. 3.3 IN THE APPLICATION SPEC, #114-7010
- 9. VACUUM COVER DESIGNED FOR 4.0 [.160] DIA NOZZLE. VACUUM COVER TO BE REMOVED AFTER SOLDERING.
- 10. PACKAGED IN EIA 481 TAPE AND REEL. SEE TABLE FOR TAPE WIDTHS.
- 11. 5.5 [.216] MIN TARGET AREA FOR VACUUM PICK-UP.
- 12. HOUSING: LCP, COLOR-BLACK. POST: PHOSPHOR BRONZE. VACUUM COVER: ALUMINUM.
- 13. VACUUM COVER SHOWN IN PHANTOM LINE.
- 14. 0.00076[.000030] GOLD AT POINT OF MEASUREMENT, 0.00051[.000020] MIN AT THE END POINTS OF AREA G, LOCALIZED PLATE AREA, 0.0038[.000150] TIN ON LOCALIZED TIN PLATED AREA, ALL OVER 0.00127[.000050] NICKEL
- 15. USE 1.55±0.02 [.0610±.0010] DRILLED HOLE (1.55mm DRILL). WITH 0.02 (.001) MIN COPPER.
- 16. 0.00381 (.000150) TIN ON HOLDDOWN, ALL OVER 0.00127 (.000050) NICKEL.
- 17. OBSOLETE PARTS: OBSOLETE CIS STREAMLINING PER D.RENAUD/D.SINISI

FINISH	TAPE WIDTH	E	D	C	B	A	NUMBER OF POSITIONS	PART NUMBER			
OBSOLETE	OBSOLETE	88 mm	65.33 [2.572]	32.66 [1.286]	66.59 [2.622]	64.05 [2.522]	49	100	5-147381-9		
		72 mm	52.63 [2.072]	26.31 [1.036]	53.89 [2.122]	51.35 [2.022]	39	80	5-147381-8		
		72 mm	46.28 [1.822]	23.13 [0.911]	47.54 [1.872]	45.00 [1.772]	34	70	5-147381-7		
		56 mm	39.93 [1.572]	19.96 [0.786]	41.19 [1.622]	38.65 [1.522]	29	60	5-147381-6		
		56 mm	33.58 [1.322]	16.78 [0.661]	34.84 [1.372]	32.30 [1.272]	24	50	5-147381-5		
		44 mm	27.23 [1.072]	13.61 [0.536]	28.49 [1.122]	25.95 [1.022]	19	40	5-147381-4		
		32 mm	20.88 [0.822]	10.43 [0.411]	22.14 [0.872]	19.60 [0.772]	14	30	5-147381-3		
		24 mm	14.53 [0.572]	7.26 [0.286]	15.79 [0.622]	13.25 [0.522]	9	20	5-147381-2		
		24 mm	8.18 [0.322]	4.08 [0.161]	9.44 [0.372]	6.90 [0.272]	4	10	5-147381-1		
		OBSOLETE	OBSOLETE	88 mm	65.33 [2.572]	32.66 [1.286]	66.59 [2.622]	64.05 [2.522]	49	100	147381-9
				72 mm	52.63 [2.072]	26.31 [1.036]	53.89 [2.122]	51.35 [2.022]	39	80	147381-8
				72 mm	46.28 [1.822]	23.13 [0.911]	47.54 [1.872]	45.00 [1.772]	34	70	147381-7
56 mm	39.93 [1.572]			19.96 [0.786]	41.19 [1.622]	38.65 [1.522]	29	60	147381-6		
56 mm	33.58 [1.322]			16.78 [0.661]	34.84 [1.372]	32.30 [1.272]	24	50	147381-5		
44 mm	27.23 [1.072]			13.61 [0.536]	28.49 [1.122]	25.95 [1.022]	19	40	147381-4		
32 mm	20.88 [0.822]			10.43 [0.411]	22.14 [0.872]	19.60 [0.772]	14	30	147381-3		
24 mm	14.53 [0.572]			7.26 [0.286]	15.79 [0.622]	13.25 [0.522]	9	20	147381-2		
24 mm	8.18 [0.322]			4.08 [0.161]	9.44 [0.372]	6.90 [0.272]	4	10	147381-1		
OBSOLETE	OBSOLETE			88 mm	65.33 [2.572]	32.66 [1.286]	66.59 [2.622]	64.05 [2.522]	49	100	147381-9
				72 mm	52.63 [2.072]	26.31 [1.036]	53.89 [2.122]	51.35 [2.022]	39	80	147381-8
				72 mm	46.28 [1.822]	23.13 [0.911]	47.54 [1.872]	45.00 [1.772]	34	70	147381-7
		56 mm	39.93 [1.572]	19.96 [0.786]	41.19 [1.622]	38.65 [1.522]	29	60	147381-6		
		56 mm	33.58 [1.322]	16.78 [0.661]	34.84 [1.372]	32.30 [1.272]	24	50	147381-5		
		44 mm	27.23 [1.072]	13.61 [0.536]	28.49 [1.122]	25.95 [1.022]	19	40	147381-4		
		32 mm	20.88 [0.822]	10.43 [0.411]	22.14 [0.872]	19.60 [0.772]	14	30	147381-3		
		24 mm	14.53 [0.572]	7.26 [0.286]	15.79 [0.622]	13.25 [0.522]	9	20	147381-2		
		24 mm	8.18 [0.322]	4.08 [0.161]	9.44 [0.372]	6.90 [0.272]	4	10	147381-1		

THIS DRAWING IS A CONTROLLED DOCUMENT. DIM B HAYMAKER 28JAN00. DIM C J. MOSIER 28JAN00. DIM D J. MOSIER 28JAN00. DIM E J. MOSIER 28JAN00.

DIMENSIONS: mm [INCHES]. TOLERANCES UNLESS OTHERWISE SPECIFIED: 0 PLC ± .01, 1 PLC ± .01, 2 PLC ± .01, 3 PLC ± .01, 4 PLC ± .01, ANGLES ± .01.

PRODUCT SPEC: 108-1332. APPLICATION SPEC: 114-7010. WEIGHT: -. SIZE: 6.35 [250] MATED HEIGHT. CUSTOMER DRAWING. SCALE: 8:1. SHEET: 1 OF 1. REV: D1.

# Mouser Electronics

Authorized Distributor

Click to View Pricing, Inventory, Delivery & Lifecycle Information:

[TE Connectivity:](#)

[5-147381-9](#)