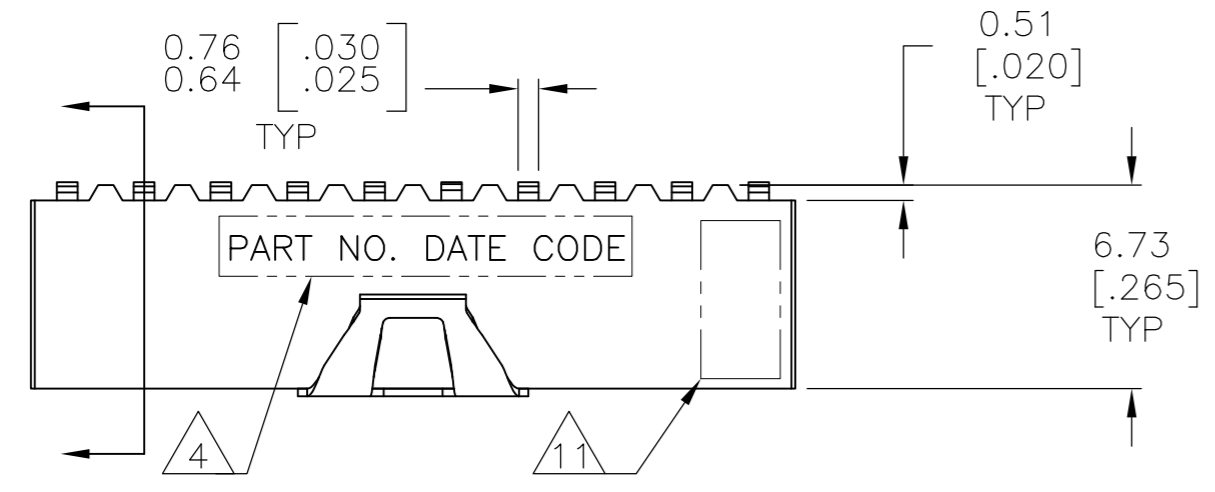
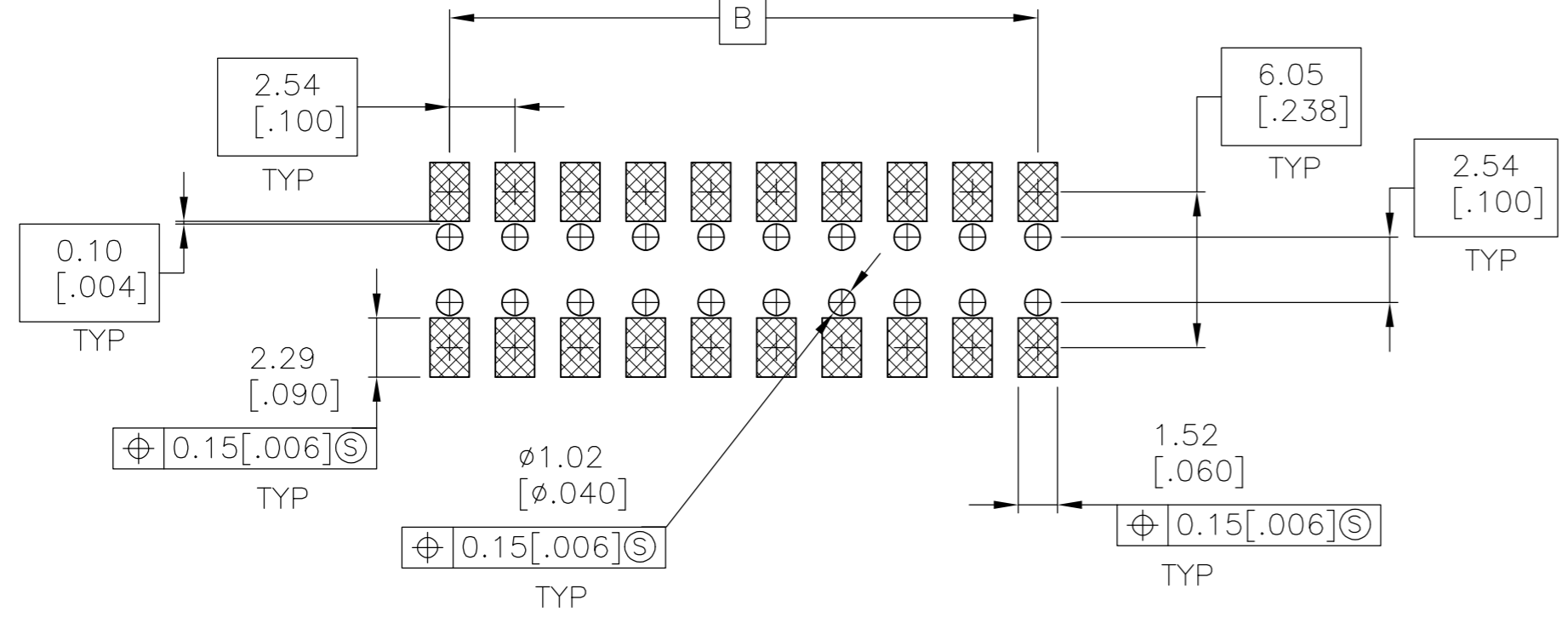
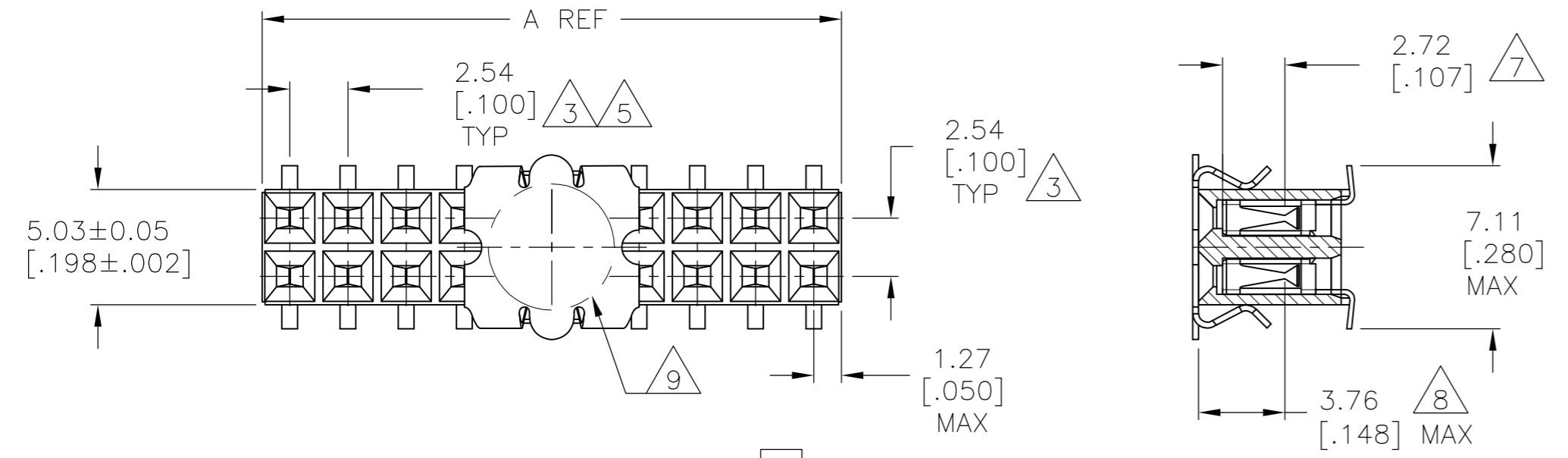


LOC		DIST		REVISIONS				
P	LTR	DESCRIPTION			DATE	DWN	APVD	
AD	00	J9	REVISED PER ECO-13-005565	01APR13	KH	JO		



FOR PART NUMBERS 5-147105-1 THRU 9-147105-0
 SEE SHEET 2



(FOR BOTTOM ENTRY
 OR PASS THROUGH
 APPLICATIONS)

RECOMMENDED PC BOARD LAYOUT
 0.20[.008] THICK STENCIL

FINISH	EIA TAPE WIDTH	B	A	NO. OF POSN.	PART NUMBER			
1	B	A	B	A	99.06 [3.900]			
					101.60 [4.000]			
					80	4-147105-0		
					96.52 [3.800]	99.06 [3.900]	78	3-147105-9
					93.98 [3.700]	96.52 [3.800]	76	3-147105-8
					91.44 [3.600]	93.98 [3.700]	74	3-147105-7
					88.90 [3.500]	91.44 [3.600]	72	3-147105-6
					86.36 [3.400]	88.90 [3.500]	70	3-147105-5
					83.82 [3.300]	86.36 [3.400]	68	3-147105-4
					81.28 [3.200]	83.82 [3.300]	66	3-147105-3
					78.74 [3.100]	81.28 [3.200]	64	3-147105-2
					76.20 [3.000]	78.74 [3.100]	62	3-147105-1
					73.66 [2.900]	76.20 [3.000]	60	3-147105-0
					71.12 [2.800]	73.66 [2.900]	58	2-147105-9
					68.58 [2.700]	71.12 [2.800]	56	2-147105-8
					66.04 [2.600]	68.58 [2.700]	54	2-147105-7
					63.50 [2.500]	66.04 [2.600]	52	2-147105-6
					60.96 [2.400]	63.50 [2.500]	50	2-147105-5
					58.42 [2.300]	60.96 [2.400]	48	2-147105-4
					55.88 [2.200]	58.42 [2.300]	46	2-147105-3
					53.34 [2.100]	55.88 [2.200]	44	2-147105-2
					50.80 [2.000]	53.34 [2.100]	42	2-147105-1
					48.26 [1.900]	50.80 [2.000]	40	2-147105-0
					45.72 [1.800]	48.26 [1.900]	38	1-147105-9
43.18 [1.700]	45.72 [1.800]	36	1-147105-8					
40.64 [1.600]	43.18 [1.700]	34	1-147105-7					
38.10 [1.500]	40.64 [1.600]	32	1-147105-6					
35.56 [1.400]	38.10 [1.500]	30	1-147105-5					
33.02 [1.300]	35.56 [1.400]	28	1-147105-4					
30.48 [1.200]	33.02 [1.300]	26	1-147105-3					
27.94 [1.100]	30.48 [1.200]	24	1-147105-2					
25.40 [1.000]	27.94 [1.100]	22	1-147105-1					
22.86 [.900]	25.40 [1.000]	20	1-147105-0					
20.32 [.800]	22.86 [.900]	18	147105-9					
17.78 [.700]	20.32 [.800]	16	147105-8					
15.24 [.600]	17.78 [.700]	14	147105-7					
12.70 [.500]	15.24 [.600]	12	147105-6					
10.16 [.400]	12.70 [.500]	10	147105-5					
7.62 [.300]	10.16 [.400]	8	147105-4					
5.08 [.200]	7.62 [.300]	6	147105-3					
2.54 [.100]	5.08 [.200]	4	147105-2					
-	2.54 [.100]	2	147105-1					

THIS DRAWING IS A CONTROLLED DOCUMENT.

DIMENSIONS: mm [INCHES]

TOLERANCES UNLESS OTHERWISE SPECIFIED:

0 PLC	± -
1 PLC	± -
2 PLC	± .005[0.13]
3 PLC	± -
4 PLC	± -
ANGLES	± -

MATERIAL: 1

FINISH: SEE TABLE

APPROVALS:

DWN	M.BINNER	06NOV02
CHK	J.OLSON	06NOV02
APVD	J.OLSON	06NOV02
PRODUCT SPEC	-	-
APPLICATION SPEC	108-25022	-

NAME: RECEPTACLE ASSEMBLY, MOD IV, DOUBLE ROW, DUAL ENTRY, .100X.100CL, SURFACE MOUNT, AMPMODU

SIZE: A2 CAGE CODE: 00779 DRAWING NO: 147105 RESTRICTED TO: -

WEIGHT: 114-25018

CUSTOMER DRAWING

SCALE: 4:1 SHEET: 1 OF 2 REV: J9

THIS DRAWING IS UNPUBLISHED. RELEASED FOR PUBLICATION
 © COPYRIGHT - By - ALL RIGHTS RESERVED.

LOC	DIST	REVISIONS			
P	LTR	DESCRIPTION	DATE	DWN	APVD
-	-	SEE SHEET 1	-	-	-

- 1 HOUSING: FLAME RETARDANT, GLASS FILLED, POLYESTER, COLOR: BLACK.
CONTACT: PHOSPHOR BRONZE
VACUUM COVER: STAINLESS STEEL
- 2 CONTACT: DUPLEX PLATED 0.76µm[.000030] GOLD IN CONTACT AREA, 3.81-7.62µm[.000150-.000300] BRIGHT TIN-LEAD ON, LEADS, ALL OVER 1.27µm[.000050] MINIMUM NICKEL
- 3 THESE DIMENSIONS PERTAIN TO CAVITY CENTERLINES ONLY NOT TO CONTACT LOCATIONS
- 4 MARK PART NUMBER AND DATE CODE, IN APPROXIMATE LOCATION SHOWN, EITHER SIDE.
- 5 TOLERANCE IS NON-CUMULATIVE.
- 6 2 POSITION DATE CODE IS MARKED OPPOSITE SIDE OF TE CONNECTIVITY LOGO.
- 7 POINT OF MEASUREMENT DIMENSION FOR PLATING THICKNESS (INSIDE CONTACT BEAM).
- 8 POINT-OF-CONTACT DIMENSION.
- 9 ø5.51[.217] MIN TARGET AREA FOR VACUUM PICK UP. COVER TO BE REMOVED AFTER SOLDERING.
- 10 PACKAGED IN TAPE & REEL PER EIA 481 SPECIFICATION.
- 11 TE CONNECTIVITY TRADEMARK AND CSA LOGO ARE MOLDED INTO HOUSING.
- 12 NO PART NUMBER REQUIRED ON THIS PART.
- 13 CONTACT: DUPLEX PLATE CONNECTIVITYD 0.76µm[.000030] GOLD IN CONTACT AREA, 3.81-7.62µm[.000150-.000300] MATTE TIN ON LEADS, ALL OVER 1.27µm[.000050] MINIMUM NICKEL.
- 14 ROHS 2002/95/EC COMPLIANT.
- 15 SUPERRSEDED BY 6-147105-5
- 16 SUPERRSEDED BY 6-147105-8
- 17 SUPERRSEDED BY 7-147105-2
- 18 SUPERRSEDED BY 8-147105-0

120mm	99.06[3.900]	101.60[4.000]	80	9-147105-0
	96.52[3.800]	99.06[3.900]	78	8-147105-9
	93.98[3.700]	96.52[3.800]	76	8-147105-8
	91.44[3.600]	93.98[3.700]	74	8-147105-7
	88.90[3.500]	91.44[3.600]	72	8-147105-6
	86.36[3.400]	88.90[3.500]	70	8-147105-5
	83.82[3.300]	86.36[3.400]	68	8-147105-4
	81.28[3.200]	83.82[3.300]	66	8-147105-3
	78.74[3.100]	81.28[3.200]	64	8-147105-2
	76.20[3.000]	78.74[3.100]	62	8-147105-1
	73.66[2.900]	76.20[3.000]	60	8-147105-0
	71.12[2.800]	73.66[2.900]	58	7-147105-9
88mm	68.58[2.700]	71.12[2.800]	56	7-147105-8
	66.04[2.600]	68.58[2.700]	54	7-147105-7
	63.50[2.500]	66.04[2.600]	52	7-147105-6
	60.96[2.400]	63.50[2.500]	50	7-147105-5
	58.42[2.300]	60.96[2.400]	48	7-147105-4
72mm	55.88[2.200]	58.42[2.300]	46	7-147105-3
	53.34[2.100]	55.88[2.200]	44	7-147105-2
	50.80[2.000]	53.34[2.100]	42	7-147105-1
	48.26[1.900]	50.80[2.000]	40	7-147105-0
	45.72[1.800]	48.26[1.900]	38	6-147105-9
	43.18[1.700]	45.72[1.800]	36	6-147105-8
	40.64[1.600]	43.18[1.700]	34	6-147105-7
	38.10[1.500]	40.64[1.600]	32	6-147105-6
	35.56[1.400]	38.10[1.500]	30	6-147105-5
	33.02[1.300]	35.56[1.400]	28	6-147105-4
44mm	30.48[1.200]	33.02[1.300]	26	6-147105-3
	27.94[1.100]	30.48[1.200]	24	6-147105-2
	25.40[1.000]	27.94[1.100]	22	6-147105-1
	22.86[.900]	25.40[1.000]	20	6-147105-0
	20.32[.800]	22.86[.900]	18	5-147105-9
	17.78[.700]	20.32[.800]	16	5-147105-8
	15.24[.600]	17.78[.700]	14	5-147105-7
	12.70[.500]	15.24[.600]	12	5-147105-6
	10.16[.400]	12.70[.500]	10	5-147105-5
	7.62[.300]	10.16[.400]	8	5-147105-4
24mm	5.08[.200]	7.62[.300]	6	5-147105-3
	2.54[.100]	5.08[.200]	4	5-147105-2
OBSELETE	-	2.54[.100]	2	5-147105-1

12/6 OBSOLETE

FINISH	EIA TAPE WIDTH	B	A	NO.OF POSN.	PART NUMBER
--------	----------------	---	---	-------------	-------------

THIS DRAWING IS A CONTROLLED DOCUMENT.		DWN M.BINNER 06NOV02	STE TE Connectivity		
DIMENSIONS: mm [INCHES]		CHK J.OLSON 06NOV02			
TOLERANCES UNLESS OTHERWISE SPECIFIED:		APVD J.OLSON 06NOV02	NAME RECEPTACLE ASSEMBLY, MOD IV, DOUBLE ROW, DUAL ENTRY, .100X.100CL, SURFACE MOUNT, AMPMODU		
0 PLC ± -		PRODUCT SPEC	SIZE CAGE CODE DRAWING NO RESTRICTED TO		
1 PLC ± -		APPLICATION SPEC	108-25022		
2 PLC ± .005[0.13]		WEIGHT 114-25018	A2 00779 C=147105		
3 PLC ± -		CUSTOMER DRAWING	SCALE 1:1 SHEET 2 OF 2 REV J9		
4 PLC ± -					
ANGLES ± -					
FINISH SEE TABLE					

Mouser Electronics

Authorized Distributor

Click to View Pricing, Inventory, Delivery & Lifecycle Information:

[TE Connectivity:](#)

[6-147105-5](#)