

4

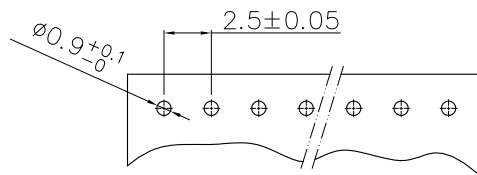
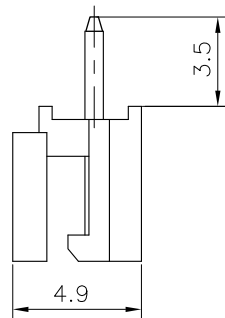
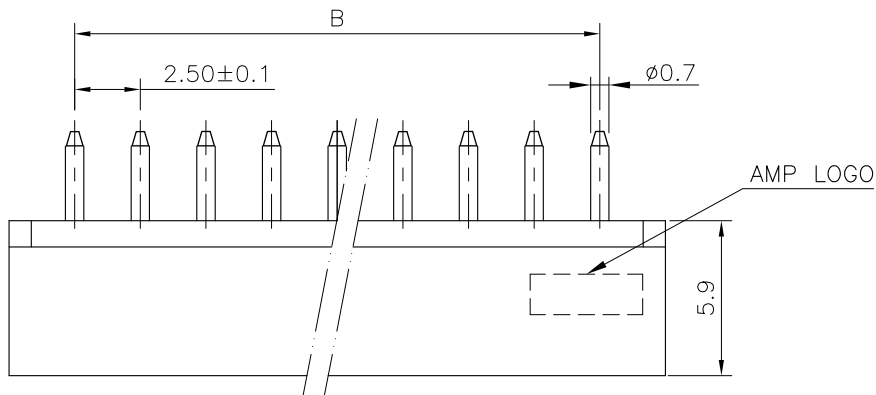
3

2

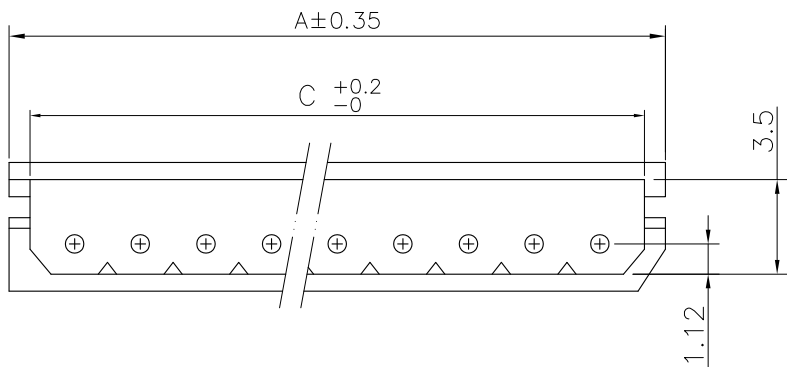
1

THIS DRAWING IS UNPUBLISHED. RELEASED FOR PUBLICATION  
© COPYRIGHT BY TYCO ELECTRONICS CORPORATION. ALL RIGHTS RESERVED.

| LOC | DIST | REVISIONS   |                       |         |       |
|-----|------|-------------|-----------------------|---------|-------|
| P   | LTR  | DESCRIPTION | DATE                  | DWN     | APVD  |
| DW  | -    | E1          | REVISED ECR-16-007769 | 20JUN16 | JJ WH |



RECOMMENDED PCB LAYOUT (THICKNESS: 1.6MM)  
(TOP VIEW) (TOLERANCE: ±0.05)



| HSG. COLOR | C    | B           | A    | POS. | PART NUMBER |
|------------|------|-------------|------|------|-------------|
|            |      |             |      |      |             |
|            | 35.9 | 32.50 ±0.20 | 37.5 | 14   | 3-1470224-4 |
|            | 33.4 | 30.00 ±0.20 | 35.0 | 13   | 3-1470224-3 |
|            | 30.9 | 27.50 ±0.20 | 32.5 | 12   | 3-1470224-2 |
|            | 28.4 | 25.00 ±0.20 | 30.0 | 11   | 3-1470224-1 |
|            | 25.9 | 22.50 ±0.15 | 27.5 | 10   | 3-1470224-0 |
|            | 23.4 | 20.00 ±0.15 | 25.0 | 9    | 2-1470224-9 |
|            | 20.9 | 17.50 ±0.15 | 22.5 | 8    | 2-1470224-8 |
|            | 18.4 | 15.00 ±0.15 | 20.0 | 7    | 2-1470224-7 |
|            | 15.9 | 12.50 ±0.10 | 17.5 | 6    | 2-1470224-6 |
|            | 13.4 | 10.00 ±0.10 | 15.0 | 5    | 2-1470224-5 |
|            | 10.9 | 7.50 ±0.10  | 12.5 | 4    | 2-1470224-4 |
|            | 8.4  | 5.00 ±0.10  | 10.0 | 3    | 2-1470224-3 |
|            | 5.9  | 2.50 ±0.10  | 7.5  | 2    | 2-1470224-2 |
|            | 38.4 | 35.00 ±0.20 | 40.0 | 15   | 1-1470224-5 |
|            | 35.9 | 32.50 ±0.20 | 37.5 | 14   | 1-1470224-4 |
|            | 33.4 | 30.00 ±0.20 | 35.0 | 13   | 1-1470224-3 |
|            | 30.9 | 27.50 ±0.20 | 32.5 | 12   | 1-1470224-2 |
|            | 28.4 | 25.00 ±0.20 | 30.0 | 11   | 1-1470224-1 |
|            | 25.9 | 22.50 ±0.15 | 27.5 | 10   | 1-1470224-0 |
|            | 23.4 | 20.00 ±0.15 | 25.0 | 9    | 0-1470224-9 |
|            | 20.9 | 17.50 ±0.15 | 22.5 | 8    | 0-1470224-8 |
|            | 18.4 | 15.00 ±0.15 | 20.0 | 7    | 0-1470224-7 |
|            | 15.9 | 12.50 ±0.10 | 17.5 | 6    | 0-1470224-6 |
|            | 13.4 | 10.00 ±0.10 | 15.0 | 5    | 0-1470224-5 |
|            | 10.9 | 7.50 ±0.10  | 12.5 | 4    | 0-1470224-4 |
|            | 8.4  | 5.00 ±0.10  | 10.0 | 3    | 0-1470224-3 |
|            | 5.9  | 2.50 ±0.10  | 7.5  | 2    | 0-1470224-2 |

OBSOLETE  
△

BLUE

IVORY

NOTE:

- MATERIAL:  
HOUSING: PA66, UL 94V-2, COLOR: SEE TABLE.  
CONTACTS: BRASS.
- FINISH:  
CONTACTS: 1.27µm [50µ"] MIN. BRIGHT-TIN ON SOLDER TAIL, WITH ENTIRE CONTACT UNDERPLATED 0.381µm [15µ"] MIN. NICKEL.
- WAVE SOLDER CAPABLE TO 240°C PER TE CONNECTIVITY TEST SPEC. 109-202, CONDITION A.

△ OBSOLETE PARTS: OBSOLETE CIS STREAMLINING PER D.RENAUD/D.SINISI

THIS DRAWING IS A CONTROLLED DOCUMENT.

|  |  |            |                    |                         |                    |
|--|--|------------|--------------------|-------------------------|--------------------|
| DWN<br>O. HU<br>19DEC2006              | TE Connectivity<br><b>2.5mm PITCH EMIX POST HEADER, VERTICAL TYP</b> |            |                    |                         |                    |
| CHK<br>S. HOU<br>19DEC2006             |  |            |                    |                         |                    |
| APVD<br>W.J. KE<br>19DEC2006           |  |            |                    |                         |                    |
| PRODUCT SPEC<br>108-57175              |  |            |                    |                         |                    |
| QUALIFICATION TEST REPORT<br>501-57195 | NAME   |            |                    |                         |                    |
| MATERIAL<br>SEE NOTE                   | FINISH<br>SEE NOTE   | SIZE<br>A3 | CAGE CODE<br>00779 | DRAWING NO<br>C=1470224 | RESTRICTED TO<br>- |
| CUSTOMER DRAWING                       |  |            | SCALE<br>-         | SHEET<br>1 OF 2         | REV<br>E1          |

THIS DRAWING IS UNPUBLISHED.

RELEASED FOR PUBLICATION

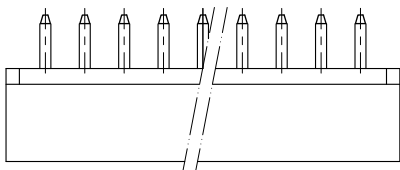
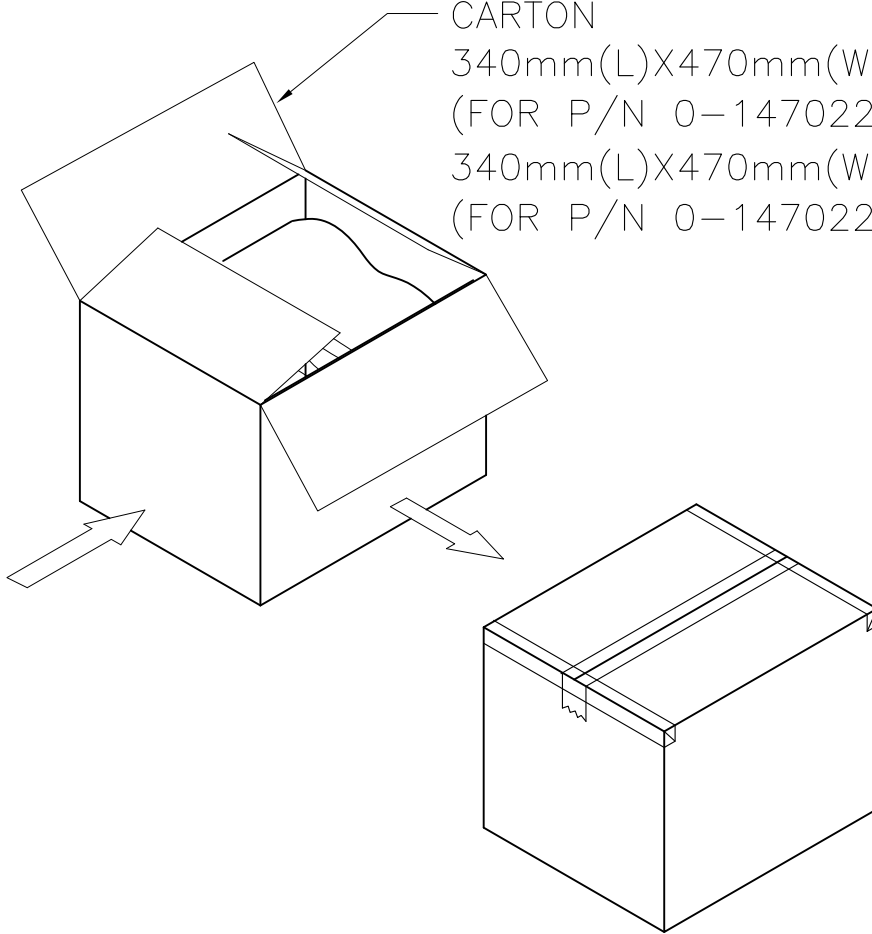
-. - .

© COPYRIGHT BY TYCO ELECTRONICS CORPORATION. ALL RIGHTS RESERVED.

|     |      |              |     |             |      |     |      |
|-----|------|--------------|-----|-------------|------|-----|------|
| LOC | DIST | REVISIONS    |     |             |      |     |      |
| DW  | -    | P            | LTR | DESCRIPTION | DATE | DWN | APVD |
|     |      | SEE SHEET 1. |     |             |      |     |      |

CARTON  
 340mm(L)X470mm(W)X158mm(H)  
 (FOR P/N 0-1470224-2~0-1470224-5)  
 340mm(L)X470mm(W)X316mm(H)  
 (FOR P/N 0-1470224-6~1-1470224-5)

POLY BAG



| APQ (PCS/CARTON) | PPQ (PCS/BAG) | PART NUMBER            |             |
|------------------|---------------|------------------------|-------------|
| 12,960           | 180           | <del>3-1470224-5</del> | 1-1470224-5 |
| 12,000           | 200           | <del>3-1470224-4</del> | 1-1470224-4 |
| 14,400           | 200           | <del>3-1470224-3</del> | 1-1470224-3 |
| 16,000           | 250           | <del>3-1470224-2</del> | 1-1470224-2 |
| 16,000           | 250           | <del>3-1470224-1</del> | 1-1470224-1 |
| 20,000           | 250           | <del>3-1470224-0</del> | 1-1470224-0 |
| 21,600           | 300           | 2-1470224-9            | 0-1470224-9 |
| 25,200           | 350           | 2-1470224-8            | 0-1470224-8 |
| 28,000           | 350           | 2-1470224-7            | 0-1470224-7 |
| 35,000           | 350           | 2-1470224-6            | 0-1470224-6 |
| 20,000           | 500           | 2-1470224-5            | 0-1470224-5 |
| 24,000           | 600           | 2-1470224-4            | 0-1470224-4 |
| 30,000           | 750           | 2-1470224-3            | 0-1470224-3 |
| 36,000           | 1000          | 2-1470224-2            | 0-1470224-2 |

|   |  |                              |  |           |            |               |
|---|--|------------------------------|--|-----------|------------|---------------|
| THIS DRAWING IS A CONTROLLED DOCUMENT.                                      |  | DWN<br>O. HU<br>19DEC2006    | TE Connectivity                            |           |            |               |
| DIMENSIONS: MM  |  | CHK<br>S. HOU<br>19DEC2006   |  |           |            |               |
| TOLERANCES UNLESS OTHERWISE SPECIFIED:                                      |  | APVD<br>W.J. KE<br>19DEC2006 | NAME                                       |           |            |               |
| 0 PLC ± -<br>1 PLC ± -<br>2 PLC ± -<br>3 PLC ± -<br>4 PLC ± -<br>ANGLES ± - |  | PRODUCT SPEC                 | 2.5mm PITCH EMIX POST HEADER, VERTICAL TYP |           |            |               |
| MATERIAL  |  | APPLICATION SPEC             | SIZE                                       | CAGE CODE | DRAWING NO | RESTRICTED TO |
| FINISH  |  | WEIGHT                       | A3   | 00779     | C=1470224  | -             |
| CUSTOMER DRAWING  |  |                              | SCALE                                      | SHEET     | REV        |               |
|   |  |                              | -  | 2 OF 2    | E1         |               |

# Mouser Electronics

Authorized Distributor

Click to View Pricing, Inventory, Delivery & Lifecycle Information:

[TE Connectivity:](#)

[1470224-2](#)