

4

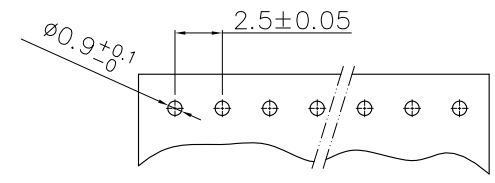
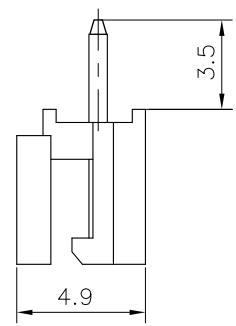
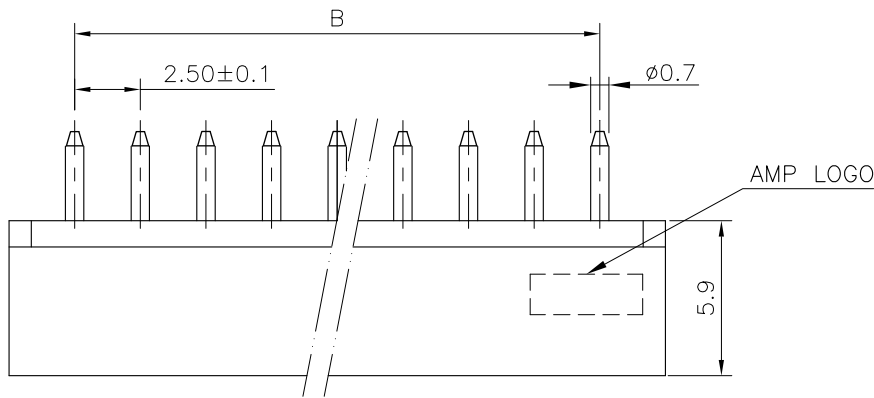
3

2

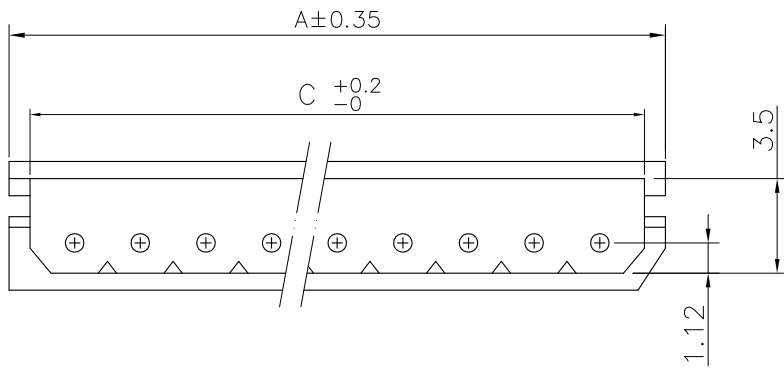
1

THIS DRAWING IS UNPUBLISHED. RELEASED FOR PUBLICATION
 © COPYRIGHT BY TYCO ELECTRONICS CORPORATION. ALL RIGHTS RESERVED.

| LOC | DIST | REVISIONS | | | |
|-----|------|-------------|-----------------------|---------|-------|
| P | LTR | DESCRIPTION | DATE | DWN | APVD |
| DW | - | E1 | REVISED ECR-16-007769 | 20JUN16 | JJ WH |



RECOMMENDED PCB LAYOUT (THICKNESS: 1.6MM)
 (TOP VIEW) (TOLERANCE: ±0.05)



| HSG. COLOR | C | B | A | POS. | PART NUMBER |
|------------|------|-------------|------|------|-------------|
| | | | | | |
| | 35.9 | 32.50 ±0.20 | 37.5 | 14 | 3-1470224-4 |
| | 33.4 | 30.00 ±0.20 | 35.0 | 13 | 3-1470224-3 |
| | 30.9 | 27.50 ±0.20 | 32.5 | 12 | 3-1470224-2 |
| | 28.4 | 25.00 ±0.20 | 30.0 | 11 | 3-1470224-1 |
| | 25.9 | 22.50 ±0.15 | 27.5 | 10 | 3-1470224-0 |
| | 23.4 | 20.00 ±0.15 | 25.0 | 9 | 2-1470224-9 |
| | 20.9 | 17.50 ±0.15 | 22.5 | 8 | 2-1470224-8 |
| | 18.4 | 15.00 ±0.15 | 20.0 | 7 | 2-1470224-7 |
| | 15.9 | 12.50 ±0.10 | 17.5 | 6 | 2-1470224-6 |
| | 13.4 | 10.00 ±0.10 | 15.0 | 5 | 2-1470224-5 |
| | 10.9 | 7.50 ±0.10 | 12.5 | 4 | 2-1470224-4 |
| | 8.4 | 5.00 ±0.10 | 10.0 | 3 | 2-1470224-3 |
| | 5.9 | 2.50 ±0.10 | 7.5 | 2 | 2-1470224-2 |
| | 38.4 | 35.00 ±0.20 | 40.0 | 15 | 1-1470224-5 |
| | 35.9 | 32.50 ±0.20 | 37.5 | 14 | 1-1470224-4 |
| | 33.4 | 30.00 ±0.20 | 35.0 | 13 | 1-1470224-3 |
| | 30.9 | 27.50 ±0.20 | 32.5 | 12 | 1-1470224-2 |
| | 28.4 | 25.00 ±0.20 | 30.0 | 11 | 1-1470224-1 |
| | 25.9 | 22.50 ±0.15 | 27.5 | 10 | 1-1470224-0 |
| | 23.4 | 20.00 ±0.15 | 25.0 | 9 | 0-1470224-9 |
| | 20.9 | 17.50 ±0.15 | 22.5 | 8 | 0-1470224-8 |
| | 18.4 | 15.00 ±0.15 | 20.0 | 7 | 0-1470224-7 |
| | 15.9 | 12.50 ±0.10 | 17.5 | 6 | 0-1470224-6 |
| | 13.4 | 10.00 ±0.10 | 15.0 | 5 | 0-1470224-5 |
| | 10.9 | 7.50 ±0.10 | 12.5 | 4 | 0-1470224-4 |
| | 8.4 | 5.00 ±0.10 | 10.0 | 3 | 0-1470224-3 |
| | 5.9 | 2.50 ±0.10 | 7.5 | 2 | 0-1470224-2 |

OBSOLETE
 △

BLUE

IVORY

- NOTE:
- MATERIAL:
HOUSING: PA66, UL 94V-2, COLOR: SEE TABLE.
CONTACTS: BRASS.
 - FINISH:
CONTACTS: 1.27µm [50µ"] MIN. BRIGHT-TIN ON SOLDER TAIL, WITH ENTIRE CONTACT UNDERPLATED 0.381µm [15µ"] MIN. NICKEL.
 - WAVE SOLDER CAPABLE TO 240°C PER TE CONNECTIVITY TEST SPEC. 109-202, CONDITION A.
- △ OBSOLETE PARTS: OBSOLETE CIS STREAMLINING PER D.RENAUD/D.SINISI

THIS DRAWING IS A CONTROLLED DOCUMENT.

| | | | | | |
|---------------------------|-----------------|---------------------|---|----------------------|-----------------|
| DWN O. HU | 19DEC2006 | TE Connectivity | 2.5mm PITCH EMIX POST HEADER, VERTICAL TYP | | |
| CHK S. HOU | 19DEC2006 | | | | |
| APVD W.J. KE | 19DEC2006 | | | | |
| PRODUCT SPEC | 108-57175 | | | | |
| QUALIFICATION TEST REPORT | 501-57195 | SIZE A3 | CAGE CODE 00779 | DRAWING NO C=1470224 | RESTRICTED TO - |
| MATERIAL SEE NOTE | FINISH SEE NOTE | WEIGHT -- | SCALE - | SHEET 1 OF 2 | REV E1 |

CUSTOMER DRAWING

THIS DRAWING IS UNPUBLISHED.

RELEASED FOR PUBLICATION

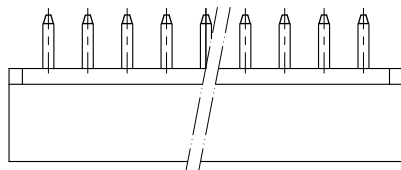
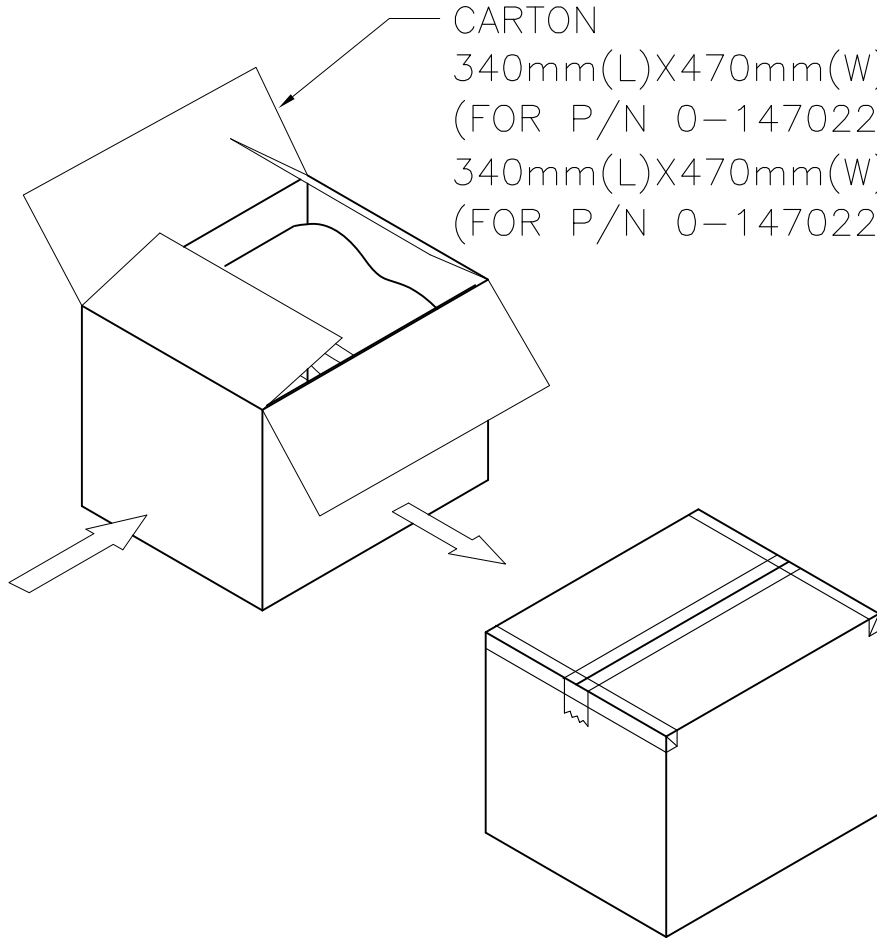
-. - .

© COPYRIGHT BY TYCO ELECTRONICS CORPORATION. ALL RIGHTS RESERVED.

| | | | | | | | |
|-----|------|--------------|-----|-------------|------|-----|------|
| LOC | DIST | REVISIONS | | | | | |
| DW | - | P | LTR | DESCRIPTION | DATE | DWN | APVD |
| | | SEE SHEET 1. | | | | | |

CARTON
 340mm(L)X470mm(W)X158mm(H)
 (FOR P/N 0-1470224-2~0-1470224-5)
 340mm(L)X470mm(W)X316mm(H)
 (FOR P/N 0-1470224-6~1-1470224-5)

POLY BAG



| APQ (PCS/CARTON) | PPQ (PCS/BAG) | PART NUMBER | |
|------------------|---------------|------------------------|-------------|
| 12,960 | 180 | 3-1470224-5 | 1-1470224-5 |
| 12,000 | 200 | 3-1470224-4 | 1-1470224-4 |
| 14,400 | 200 | 3-1470224-3 | 1-1470224-3 |
| 16,000 | 250 | 3-1470224-2 | 1-1470224-2 |
| 16,000 | 250 | 3-1470224-1 | 1-1470224-1 |
| 20,000 | 250 | 3-1470224-0 | 1-1470224-0 |
| 21,600 | 300 | 2-1470224-9 | 0-1470224-9 |
| 25,200 | 350 | 2-1470224-8 | 0-1470224-8 |
| 28,000 | 350 | 2-1470224-7 | 0-1470224-7 |
| 35,000 | 350 | 2-1470224-6 | 0-1470224-6 |
| 20,000 | 500 | 2-1470224-5 | 0-1470224-5 |
| 24,000 | 600 | 2-1470224-4 | 0-1470224-4 |
| 30,000 | 750 | 2-1470224-3 | 0-1470224-3 |
| 36,000 | 1000 | 2-1470224-2 | 0-1470224-2 |

THIS DRAWING IS A CONTROLLED DOCUMENT.

| | | | | |
|------------------|---------|-----------|---------------------|---|
| DWN | O. HU | 19DEC2006 | TE Connectivity | 2.5mm PITCH EMIX POST HEADER, VERTICAL TYP |
| CHK | S. HOU | 19DEC2006 | | |
| APVD | W.J. KE | 19DEC2006 | | |
| PRODUCT SPEC | | | | |
| APPLICATION SPEC | | | NAME | |
| WEIGHT | | | SIZE | A3 |
| CUSTOMER DRAWING | | | CAGE CODE | 00779 |
| | | | DRAWING NO | C=1470224 |
| | | | RESTRICTED TO | - |
| | | | SCALE | - |
| | | | SHEET | 2 OF 2 |
| | | | REV | E1 |

Mouser Electronics

Authorized Distributor

Click to View Pricing, Inventory, Delivery & Lifecycle Information:

[TE Connectivity:](#)

[1470224-9](#)