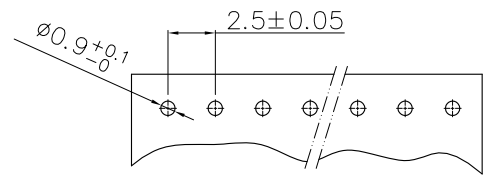
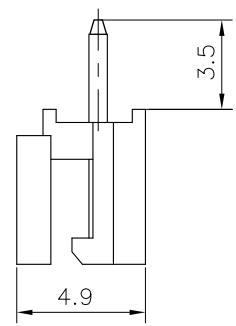
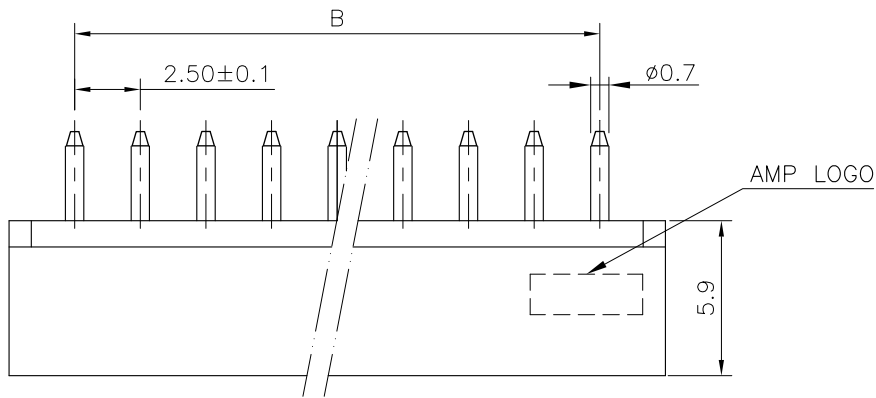
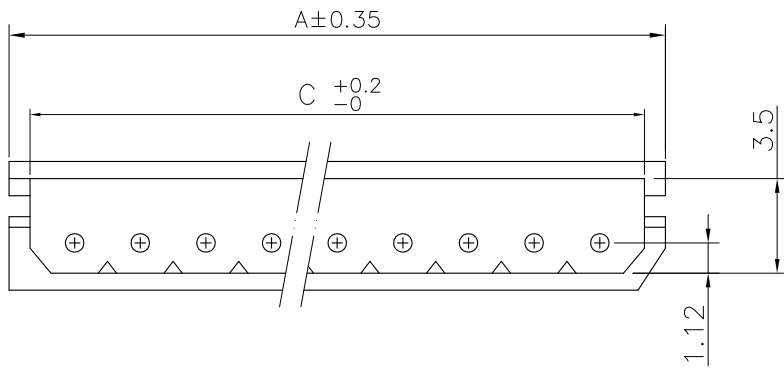


THIS DRAWING IS UNPUBLISHED. RELEASED FOR PUBLICATION  
 © COPYRIGHT BY TYCO ELECTRONICS CORPORATION. ALL RIGHTS RESERVED.

LOC	DIST	REVISIONS			
P	LTR	DESCRIPTION	DATE	DWN	APVD
DW	-	E1	REVISED ECR-16-007769	20JUN16	JJ WH



RECOMMENDED PCB LAYOUT (THICKNESS: 1.6MM)  
 (TOP VIEW) (TOLERANCE: ±0.05)



HSG. COLOR	C	B	A	POS.	PART NUMBER
	35.9	32.50 ±0.20	37.5	14	3-1470224-4
	33.4	30.00 ±0.20	35.0	13	3-1470224-3
	30.9	27.50 ±0.20	32.5	12	3-1470224-2
	28.4	25.00 ±0.20	30.0	11	3-1470224-1
	25.9	22.50 ±0.15	27.5	10	3-1470224-0
	23.4	20.00 ±0.15	25.0	9	2-1470224-9
	20.9	17.50 ±0.15	22.5	8	2-1470224-8
	18.4	15.00 ±0.15	20.0	7	2-1470224-7
	15.9	12.50 ±0.10	17.5	6	2-1470224-6
	13.4	10.00 ±0.10	15.0	5	2-1470224-5
	10.9	7.50 ±0.10	12.5	4	2-1470224-4
	8.4	5.00 ±0.10	10.0	3	2-1470224-3
	5.9	2.50 ±0.10	7.5	2	2-1470224-2
	38.4	35.00 ±0.20	40.0	15	1-1470224-5
	35.9	32.50 ±0.20	37.5	14	1-1470224-4
	33.4	30.00 ±0.20	35.0	13	1-1470224-3
	30.9	27.50 ±0.20	32.5	12	1-1470224-2
	28.4	25.00 ±0.20	30.0	11	1-1470224-1
	25.9	22.50 ±0.15	27.5	10	1-1470224-0
	23.4	20.00 ±0.15	25.0	9	0-1470224-9
	20.9	17.50 ±0.15	22.5	8	0-1470224-8
	18.4	15.00 ±0.15	20.0	7	0-1470224-7
	15.9	12.50 ±0.10	17.5	6	0-1470224-6
	13.4	10.00 ±0.10	15.0	5	0-1470224-5
	10.9	7.50 ±0.10	12.5	4	0-1470224-4
	8.4	5.00 ±0.10	10.0	3	0-1470224-3
	5.9	2.50 ±0.10	7.5	2	0-1470224-2

OBSOLETE  
 △

BLUE

IVORY

NOTE:

- MATERIAL:  
HOUSING: PA66, UL 94V-2, COLOR: SEE TABLE.  
CONTACTS: BRASS.
- FINISH:  
CONTACTS: 1.27µm [50µ"] MIN. BRIGHT-TIN ON SOLDER TAIL, WITH ENTIRE CONTACT UNDERPLATED 0.381µm [15µ"] MIN. NICKEL.
- WAVE SOLDER CAPABLE TO 240°C PER TE CONNECTIVITY TEST SPEC. 109-202, CONDITION A.

△ OBSOLETE PARTS: OBSOLETE CIS STREAMLINING PER D.RENAUD/D.SINISI

THIS DRAWING IS A CONTROLLED DOCUMENT.		DWN O. HU 19DEC2006	TE Connectivity		
		CHK S. HOU 19DEC2006			
DIMENSIONS: MM		APVD W.J. KE 19DEC2006	NAME		
		PRODUCT SPEC 108-57175	2.5mm PITCH EMIX POST HEADER, VERTICAL TYP		
TOLERANCES UNLESS OTHERWISE SPECIFIED: 0 PLC ± 0.5 1 PLC ± 0.25 2 PLC ± 0.15 3 PLC ± 0.05 4 PLC ANGLES ± - 3'		QUALIFICATION TEST REPORT 501-57195	SIZE	CAGE CODE	DRAWING NO
MATERIAL SEE NOTE		WEIGHT --	A3	00779	G=1470224
FINISH SEE NOTE		CUSTOMER DRAWING	RESTRICTED TO	SCALE	SHEET
				1 OF 2	REV E1

THIS DRAWING IS UNPUBLISHED.

RELEASED FOR PUBLICATION

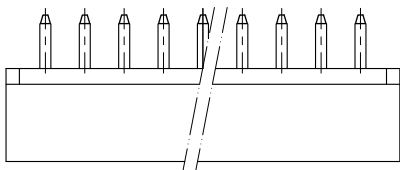
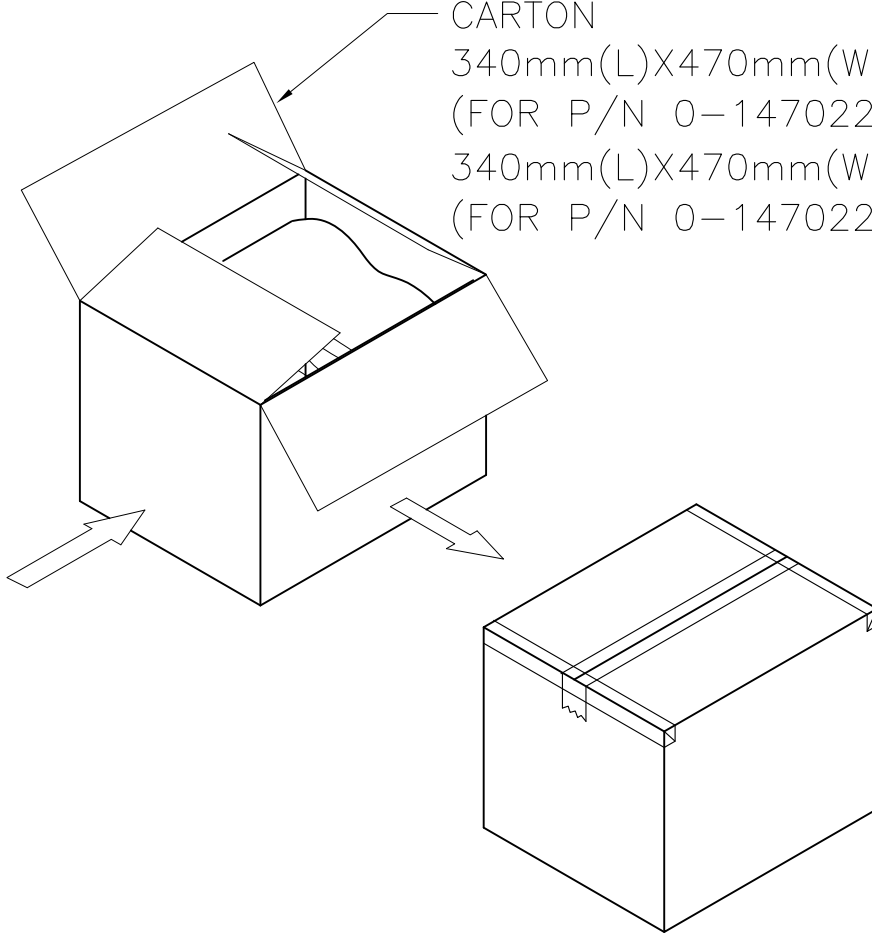
-. - .

© COPYRIGHT BY TYCO ELECTRONICS CORPORATION. ALL RIGHTS RESERVED.

LOC	DIST	REVISIONS					
DW	-	P	LTR	DESCRIPTION	DATE	DWN	APVD
		SEE SHEET 1.					

CARTON  
 340mm(L)X470mm(W)X158mm(H)  
 (FOR P/N 0-1470224-2~0-1470224-5)  
 340mm(L)X470mm(W)X316mm(H)  
 (FOR P/N 0-1470224-6~1-1470224-5)

POLY BAG



APQ (PCS/CARTON)	PPQ (PCS/BAG)	PART NUMBER	
12,960	180	<del>3-1470224-5</del>	1-1470224-5
12,000	200	<del>3-1470224-4</del>	1-1470224-4
14,400	200	<del>3-1470224-3</del>	1-1470224-3
16,000	250	<del>3-1470224-2</del>	1-1470224-2
16,000	250	<del>3-1470224-1</del>	1-1470224-1
20,000	250	<del>3-1470224-0</del>	1-1470224-0
21,600	300	<del>2-1470224-9</del>	0-1470224-9
25,200	350	<del>2-1470224-8</del>	0-1470224-8
28,000	350	<del>2-1470224-7</del>	0-1470224-7
35,000	350	<del>2-1470224-6</del>	0-1470224-6
20,000	500	<del>2-1470224-5</del>	0-1470224-5
24,000	600	<del>2-1470224-4</del>	0-1470224-4
30,000	750	<del>2-1470224-3</del>	0-1470224-3
36,000	1000	<del>2-1470224-2</del>	0-1470224-2

THIS DRAWING IS A CONTROLLED DOCUMENT.		DWN	O. HU	19DEC2006	 TE Connectivity	NAME		2.5mm PITCH EMIX POST HEADER, VERTICAL TYP		
DIMENSIONS: MM		CHK	S. HOU	19DEC2006		PRODUCT SPEC			SIZE CAGE CODE DRAWING NO A3 00779 C=1470224	
		APVD	W.J. KE	19DEC2006		APPLICATION SPEC				
MATERIAL		FINISH		WEIGHT		RESTRICTED TO				
		CUSTOMER DRAWING			SCALE	-	SHEET	2 OF 2	REV	E1

# Mouser Electronics

Authorized Distributor

Click to View Pricing, Inventory, Delivery & Lifecycle Information:

[TE Connectivity:](#)

[1470224-8](#)