

DIM C	DIM B	DIM A	POS.	PART NUMBER
32.74	34.0	30.0	32	3-1470108-2
30.74	32.0	28.0	30	3-1470108-0
28.74	30.0	26.0	28	2-1470108-8
26.74	28.0	24.0	26	2-1470108-6
24.74	26.0	22.0	24	2-1470108-4
22.74	24.0	20.0	22	2-1470108-2
20.74	22.0	18.0	20	2-1470108-0
REACTIVE	18.74	20.0	18	1-1470108-8
	16.74	18.0	16	1-1470108-6
	14.74	16.0	14	1-1470108-4
	12.74	14.0	12	1-1470108-2
	10.74	12.0	10	1-1470108-0
	8.74	10.0	8	1470108-8
	6.74	8.0	6	1470108-6

NOTE:

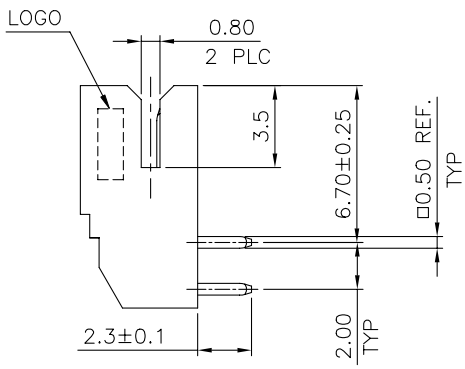
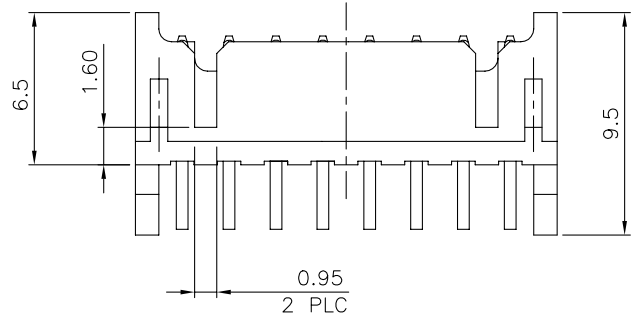
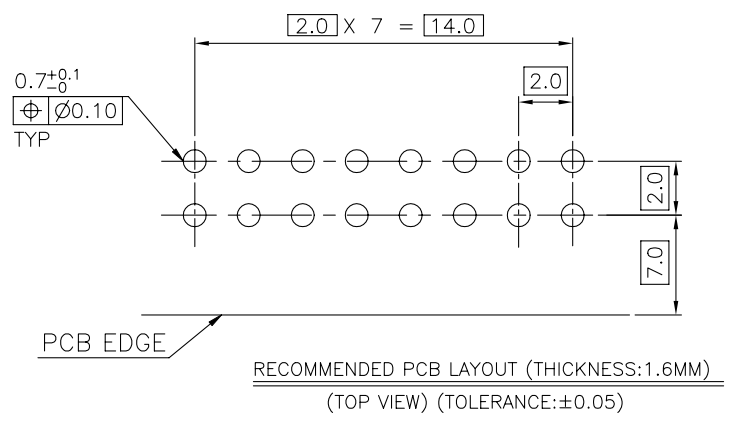
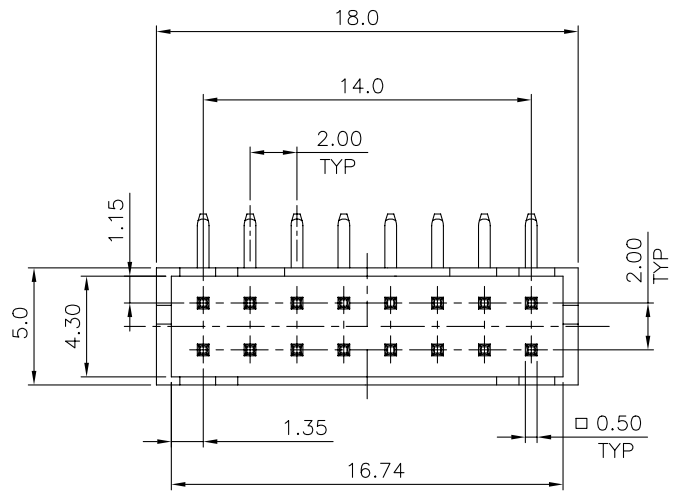
- MATERIAL:
HOUSING: THERMOPLASTIC UL94V-0, NATURAL COLOR.
CONTACT: BRASS, THICKNESS=0.20MM.
- FINISH:
CONTACT: 100u" MIN. TIN PLATED ON CONTACT AREA,
30u" MIN. NICKEL UNDERPLATED OVER ALL.
- WAVE SOLDER CAPABLE TO 240°C PER TEST SPEC.
109-202, CONDITION B.

THIS DRAWING IS A CONTROLLED DOCUMENT.		DWN J. LEE 24OCT2005	TE Connectivity																				
DIMENSIONS: MM		CHK S. HOU 24OCT2005																					
TOLERANCES UNLESS OTHERWISE SPECIFIED:		APVD W.J. KE 24OCT2005	NAME																				
<table border="1"> <tr> <td>0 PLC</td> <td>±</td> <td>-</td> </tr> <tr> <td>1 PLC</td> <td>±</td> <td>0.3</td> </tr> <tr> <td>2 PLC</td> <td>±</td> <td>0.2</td> </tr> <tr> <td>3 PLC</td> <td>±</td> <td>0.1</td> </tr> <tr> <td>4 PLC</td> <td>±</td> <td>-</td> </tr> <tr> <td>ANGLES</td> <td></td> <td>± 3°</td> </tr> </table>		0 PLC	±	-	1 PLC	±	0.3	2 PLC	±	0.2	3 PLC	±	0.1	4 PLC	±	-	ANGLES		± 3°	PRODUCT SPEC 108-57217	2.0MM PITCH HEADER, DIP, RIGHT ANGLE TYPE		
0 PLC	±	-																					
1 PLC	±	0.3																					
2 PLC	±	0.2																					
3 PLC	±	0.1																					
4 PLC	±	-																					
ANGLES		± 3°																					
MATERIAL SEE NOTE		QUALIFICATION TEST REPORT 501-57218	SIZE A3	CAGE CODE 00779	DRAWING NO C=1470108																		
FINISH SEE NOTE		WEIGHT - GRAMS	RESTRICTED TO -	SCALE -	SHEET 1 of 3																		
		CUSTOMER DRAWING	REV F5																				

4 | 3 | 2 | 1

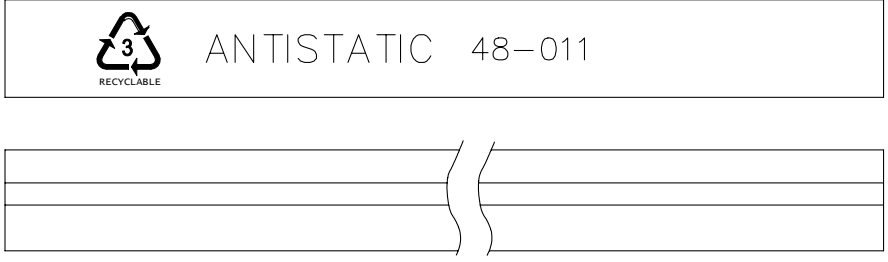
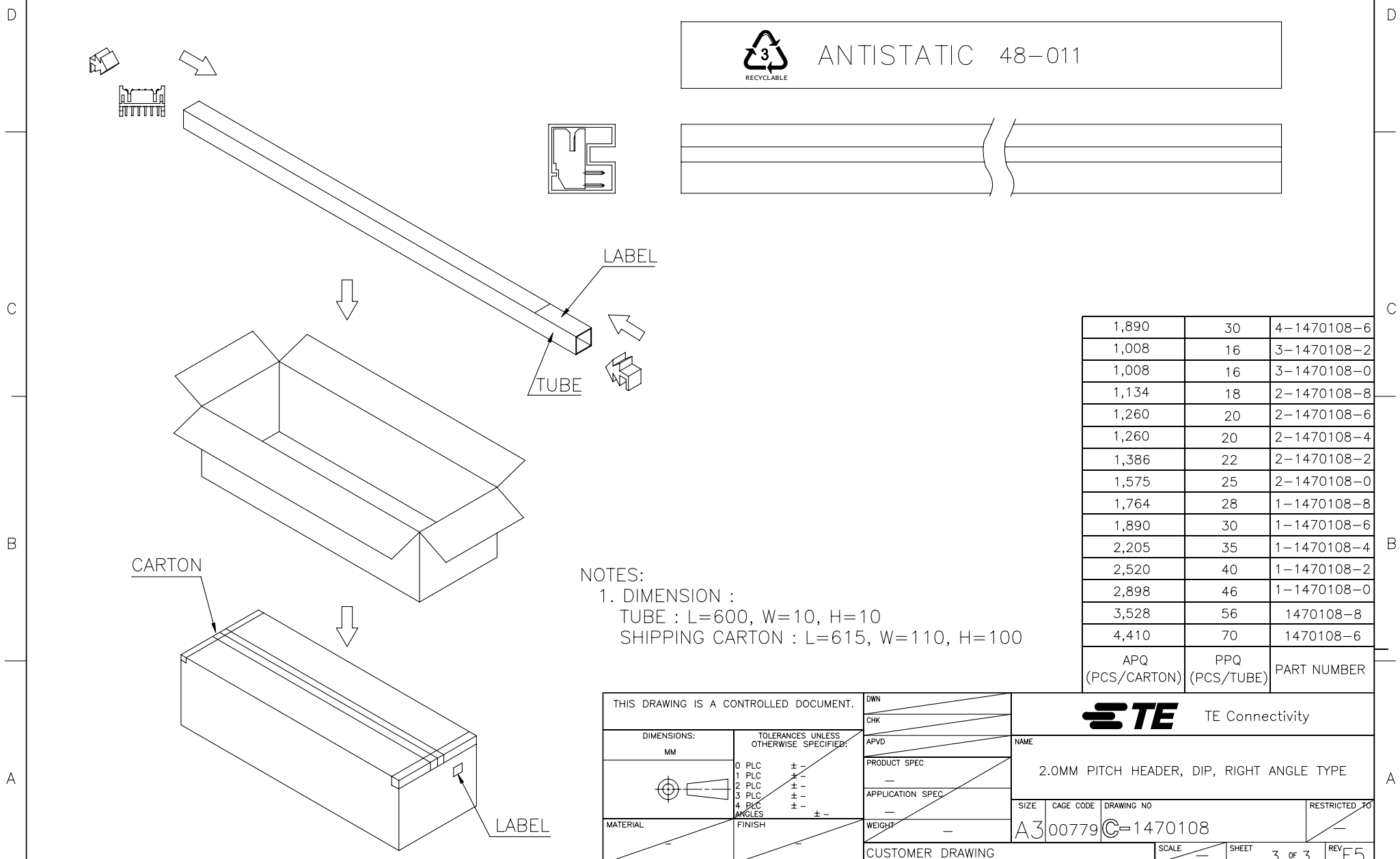
THIS DRAWING IS UNPUBLISHED. RELEASED FOR PUBLICATION AUG. 2006.
 © COPYRIGHT 2009 BY TYCO ELECTRONICS CORPORATION. ALL RIGHTS RESERVED.

LOC		DIST		REVISIONS			
P	LTR	DESCRIPTION		DATE	DWN	APVD	
		SEE SHEET 1.					



16	4-1470108-6
POS.	PART NUMBER

THIS DRAWING IS A CONTROLLED DOCUMENT.		DWN	TE TE Connectivity		
DIMENSIONS: MM		CHK			
TOLERANCES UNLESS OTHERWISE SPECIFIED:		APVD	NAME		
0 PLC ± -		PRODUCT SPEC	2.0MM PITCH HEADER, DIP, RIGHT ANGLE TYPE		
1 PLC ± 0.3		APPLICATION SPEC	SIZE	CAGE CODE	DRAWING NO
2 PLC ± 0.2		WEIGHT	A3	00779	C=1470108
3 PLC ± 0.1			RESTRICTED TO		
4 PLC ± -					
ANGLES ± 3'					
MATERIAL	FINISH	CUSTOMER DRAWING			
SEE SHEET 1.	SEE SHEET 1.	SCALE	SHEET	2 of 3	REV F5



1,890	30	4-1470108-6
1,008	16	3-1470108-2
1,008	16	3-1470108-0
1,134	18	2-1470108-8
1,260	20	2-1470108-6
1,260	20	2-1470108-4
1,386	22	2-1470108-2
1,575	25	2-1470108-0
1,764	28	1-1470108-8
1,890	30	1-1470108-6
2,205	35	1-1470108-4
2,520	40	1-1470108-2
2,898	46	1-1470108-0
3,528	56	1470108-8
4,410	70	1470108-6
APQ (PCS/CARTON)	PPQ (PCS/TUBE)	PART NUMBER

THIS DRAWING IS A CONTROLLED DOCUMENT.

DIMENSIONS: MM

TOLERANCES UNLESS OTHERWISE SPECIFIED:

0 PLC	± -
1 PLC	± -
2 PLC	± -
3 PLC	± -
4 PLC	± -
ANGLES	± -

MATERIAL FINISH

STE TE Connectivity

NAME: 2.0MM PITCH HEADER, DIP, RIGHT ANGLE TYPE

SIZE: A3 CAGE CODE: 00779 DRAWING NO: C=1470108 RESTRICTED TO: -

CUSTOMER DRAWING SCALE: - SHEET: 3 of 3 REV: F5

Mouser Electronics

Authorized Distributor

Click to View Pricing, Inventory, Delivery & Lifecycle Information:

[TE Connectivity:](#)

[3-1470108-2](#)