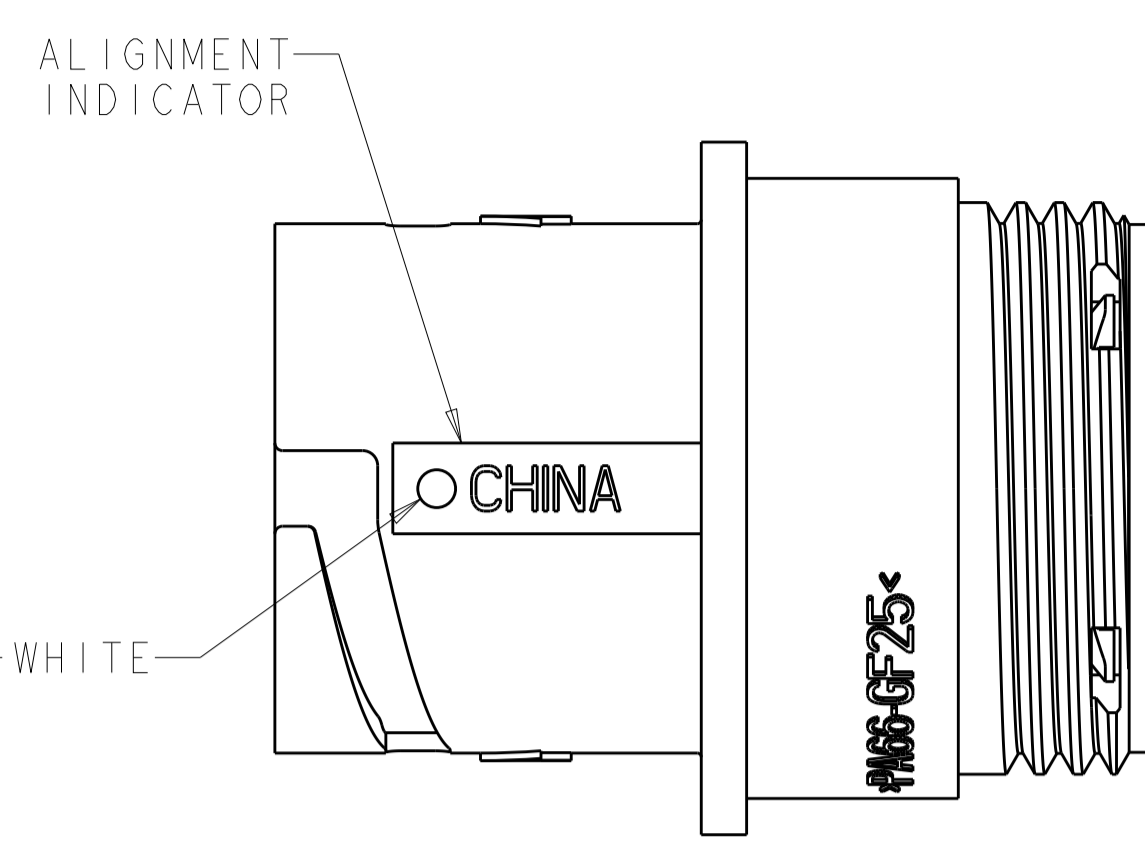
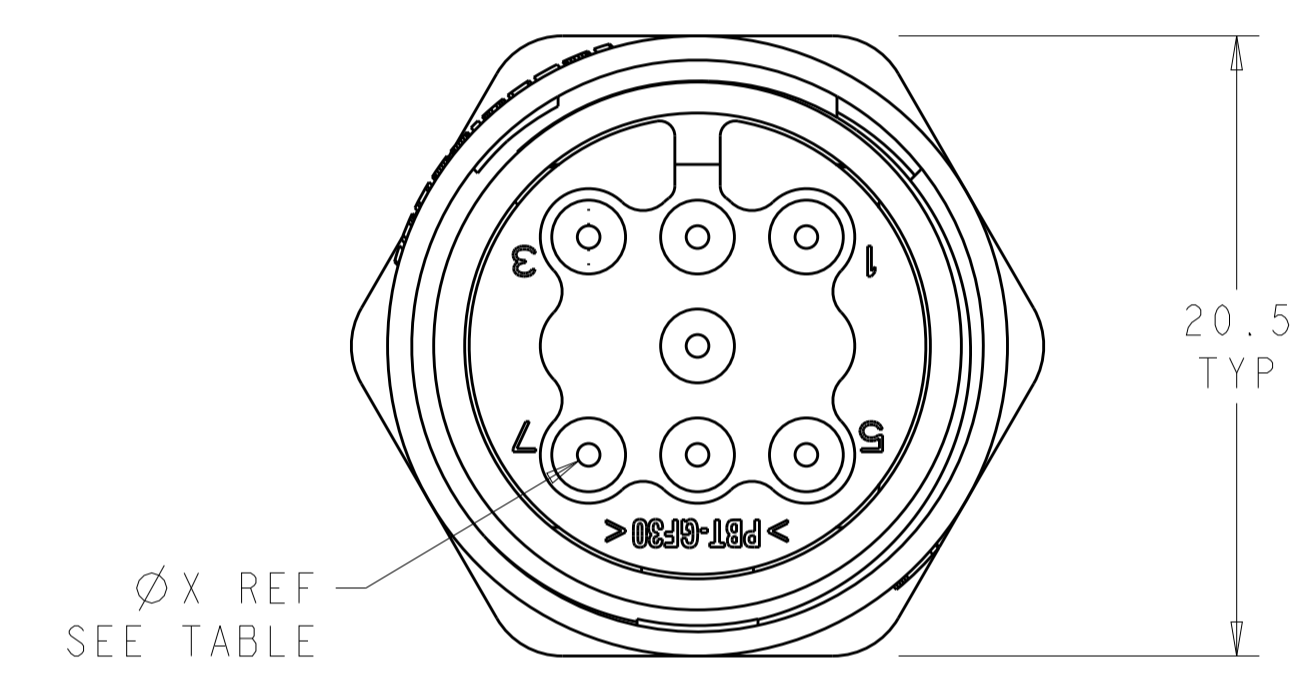
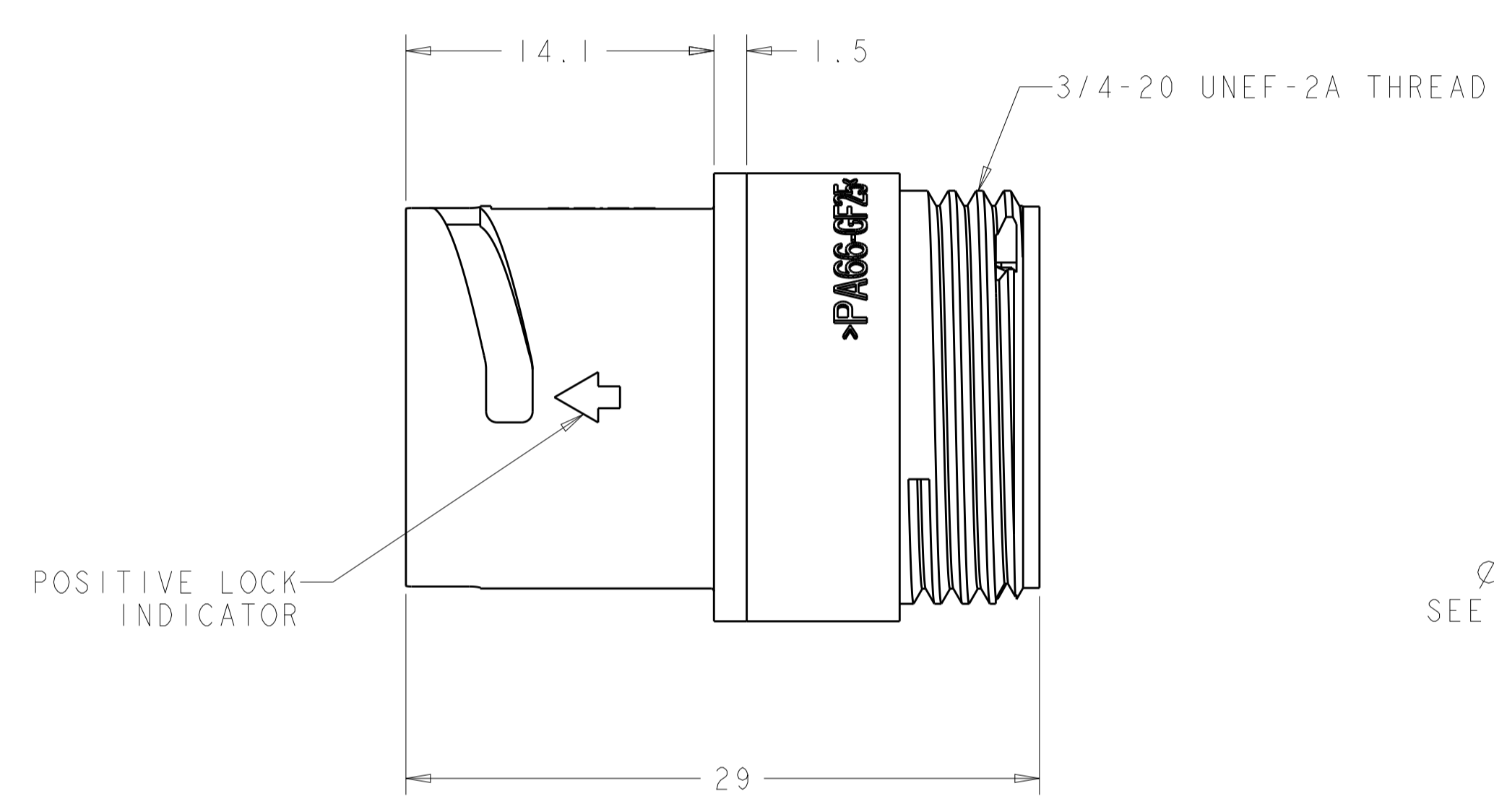
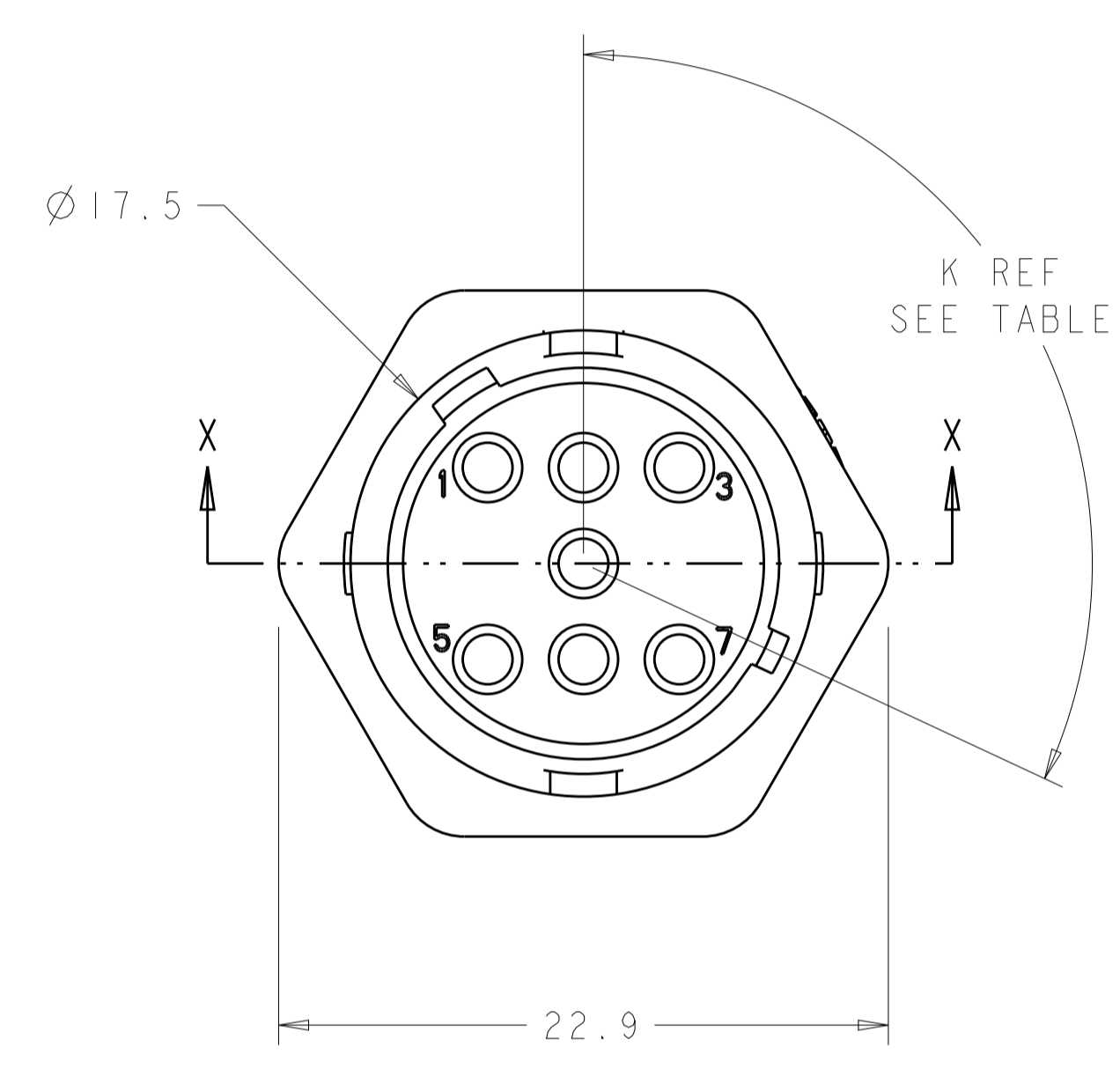


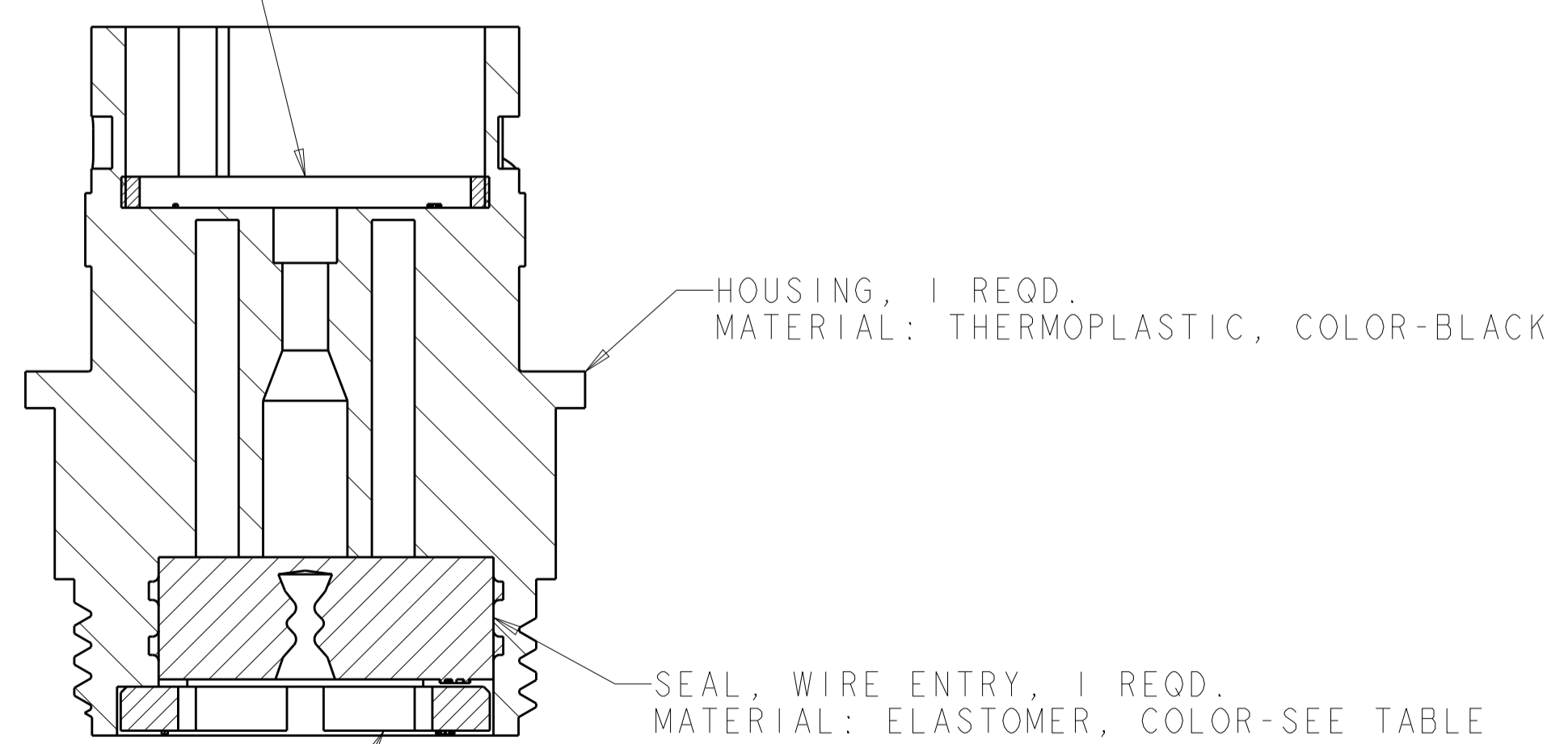
| REVISIONS | | | | |
|-----------|-----|---------------------------|-----------|-------|
| P. | LTN | DESCRIPTION | DATE | APVD |
| B1 | | REVISED PER ECO-15-010004 | 11JUL2015 | NK MZ |
| C | | REVISED PER ECO-16-018352 | 23MAR2017 | RS MZ |



ALIGNMENT DOT, COLOR-WHITE



SEAL, PERIPHERAL, 1 REQD.
 MATERIAL: ELASTOMER, COLOR-GRAY



SECTION X-X

| | | | | |
|----------|------------------------|--------|-------|-------------|
| OBSOLETE | YELLOW | Ø0.75 | 135° | 1445827-04 |
| | NATURAL | Ø1.5 | 115° | 1445827-03 |
| OBSOLETE | NATURAL | Ø1.5 | 135° | 1445827-02 |
| | YELLOW | Ø0.75 | 115° | 1445827-01 |
| | SEAL, WIRE ENTRY COLOR | ØX REF | K REF | PART NUMBER |

THIS DRAWING IS A CONTROLLED DOCUMENT.

OWN: SHANE WIESE 22OCT2001
 CHK: G DOUTY 22OCT2001
 APVD: H. WAKEEM 13JUN2003

TE Connectivity

NAME: ASSEMBLY, SIZE 11, 7 POSITION, FREE HANGING, SEALED, MINI CPC

SIZE: A1 00779 C=1445827

MATERIAL: SEE CALLOUT
 FINISH: -
 WEIGHT: -
 CUSTOMER DRAWING

SCALE: 4:1 SHEET 1 OF 1 REV C

Mouser Electronics

Authorized Distributor

Click to View Pricing, Inventory, Delivery & Lifecycle Information:

[TE Connectivity:](#)

[1445827-3](#)