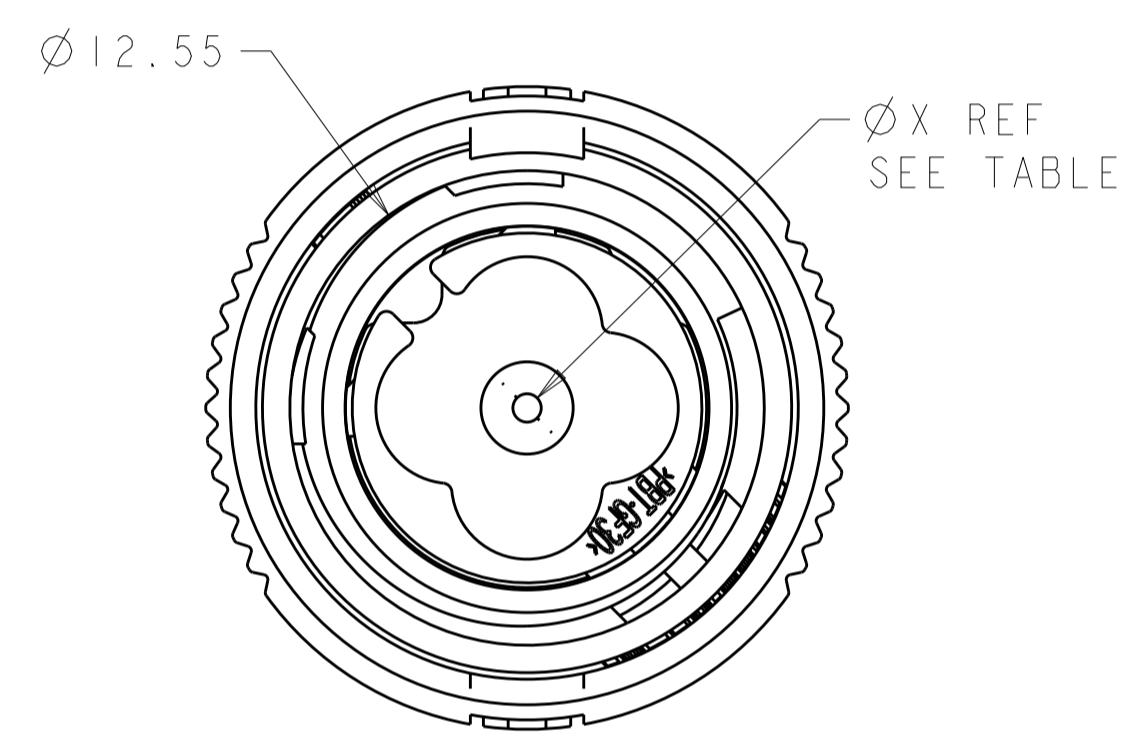
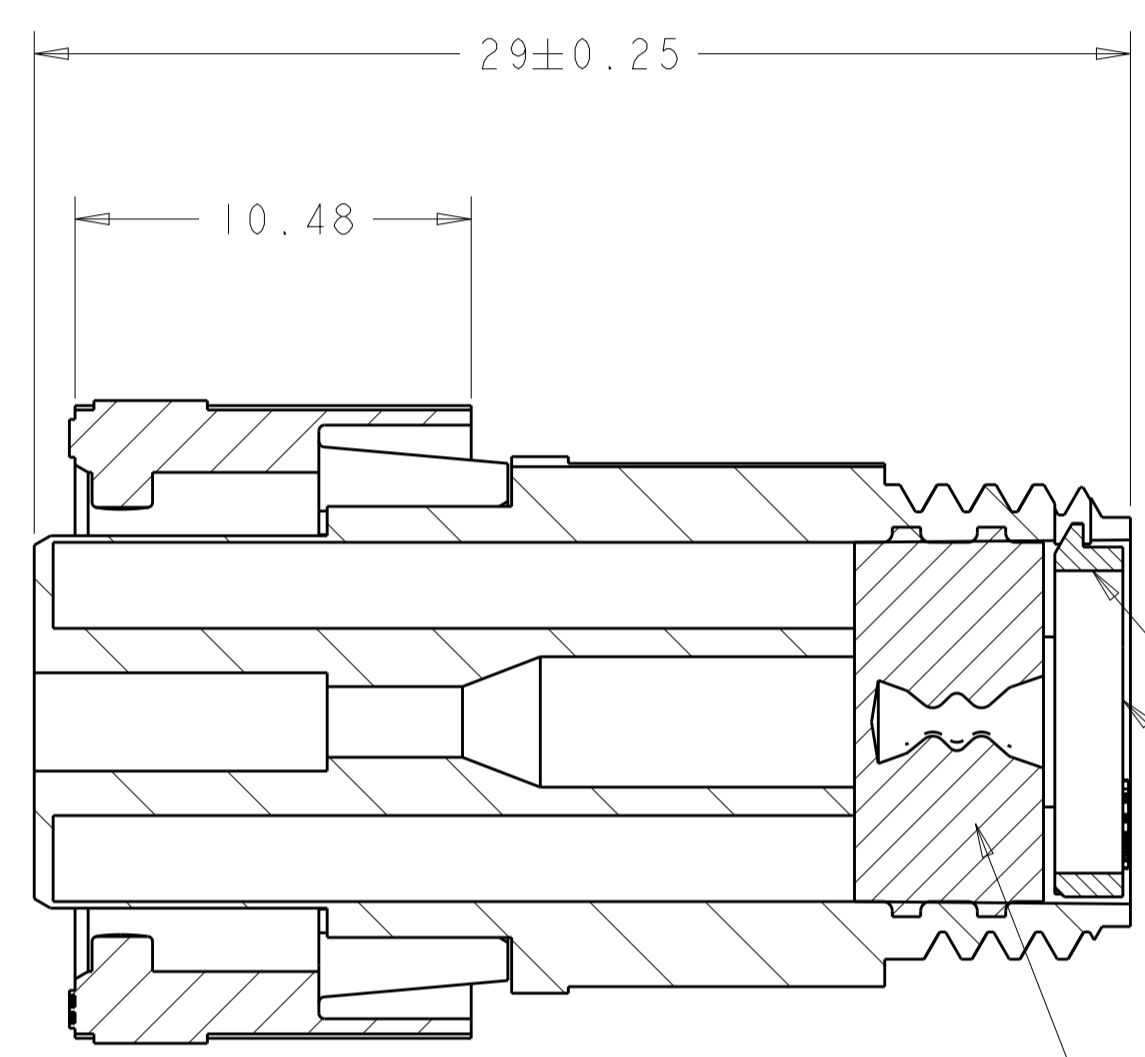
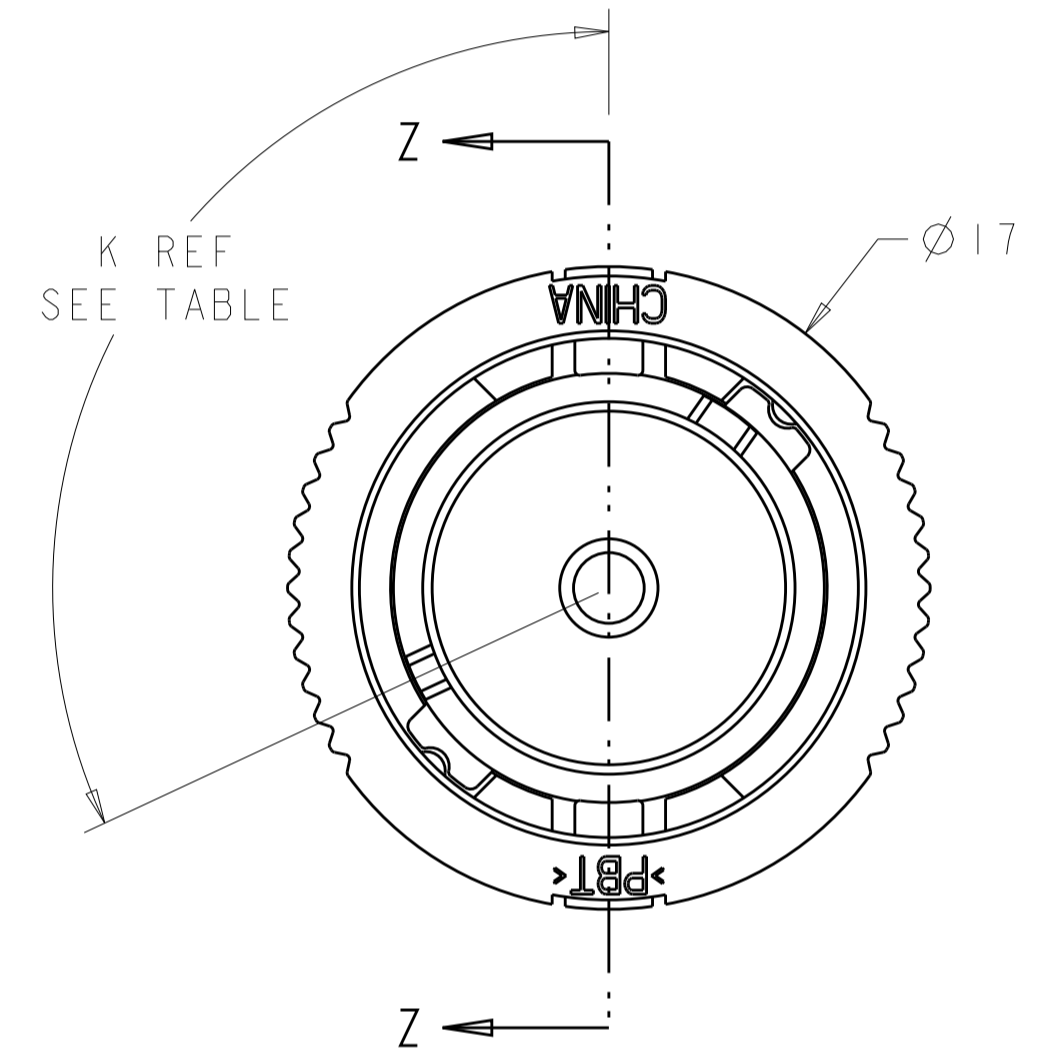


REVISIONS				
P.	LTR.	DESCRIPTION	DATE	APVD.
B2		REVISED PER ECO-15-010004	11JUL2015	NK MZ
C		REVISED PER ECO-16-018352	24MAR2017	RS MZ

ALIGNMENT DOT, COLOR-WHITE

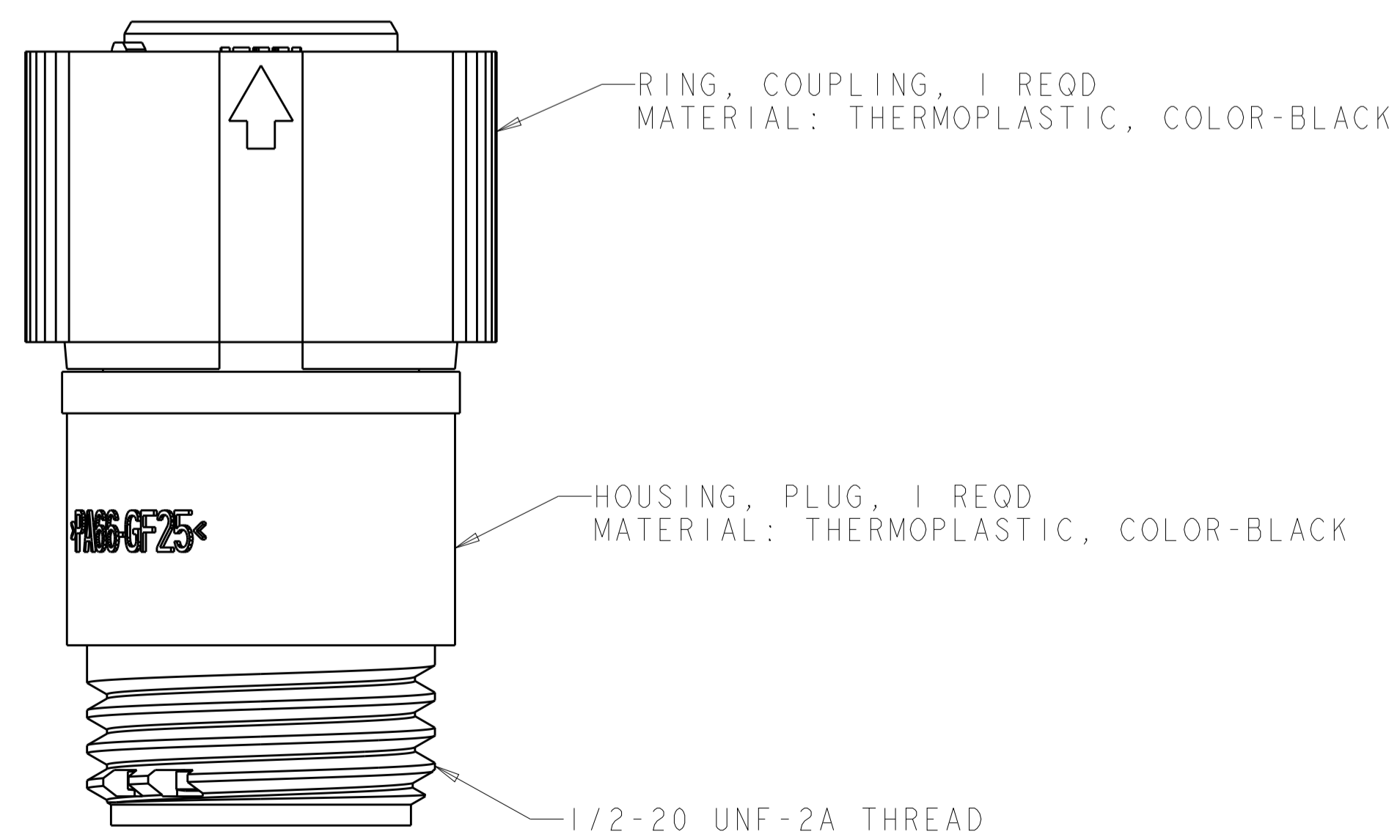
POSITIVE LOCK INDICATOR

ALIGNMENT INDICATOR SLOTS



SECTION Z-Z

SEAL, WIRE ENTRY, 1 REQD MATERIAL: ELASTOMER, COLOR-SEE TABLE



OBSOLETE	YELLOW	$\varnothing 0.75$	130°	1445536-04
	NATURAL	$\varnothing 1.5$	115°	1445536-03
OBSOLETE	NATURAL	$\varnothing 1.5$	130°	1445536-02
	YELLOW	$\varnothing 0.75$	115°	1445536-01
	SEAL, WIRE ENTRY COLOR	$\varnothing X$ REF	K REF	PART NUMBER

DIMENSIONS:		TOLERANCES UNLESS OTHERWISE SPECIFIED:		APVD.		NAME	
mm	0 PLC	±	07MAY2001	S. WIEST	07MAY2001	ASSEMBLY, PLUG, SIZE 7, 1 POSITION, SEALED MINI CPC	
	1 PLC	±0.5	07MAY2001	G. DOUTY	07MAY2001	-	
	2 PLC	±0.13	12JUN2003	H. WAKEEM	12JUN2003	-	
	3 PLC	±0.013				-	
	4 PLC	±0.001				-	
	ANGLES	±0.0001				-	
	FINISH	±				-	
MATERIAL	SEE CALLOUT	WEIGHT		CUSTOMER DRAWING		SCALE	5:1
				A100779C=1445536		SHEET	1 OF 1
						REV	C

Mouser Electronics

Authorized Distributor

Click to View Pricing, Inventory, Delivery & Lifecycle Information:

[TE Connectivity:](#)

[1445536-3](#)