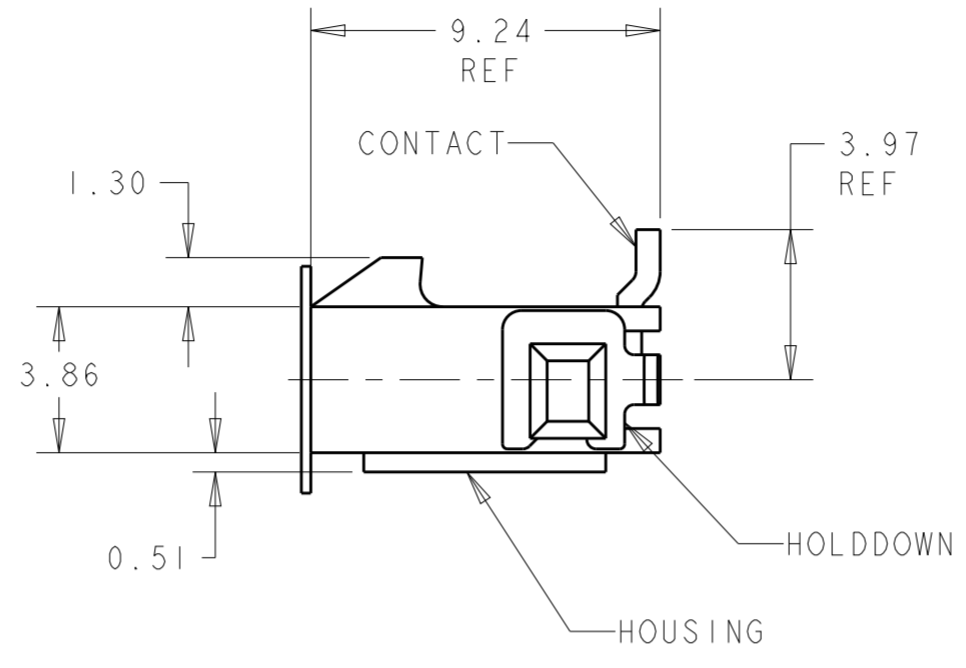
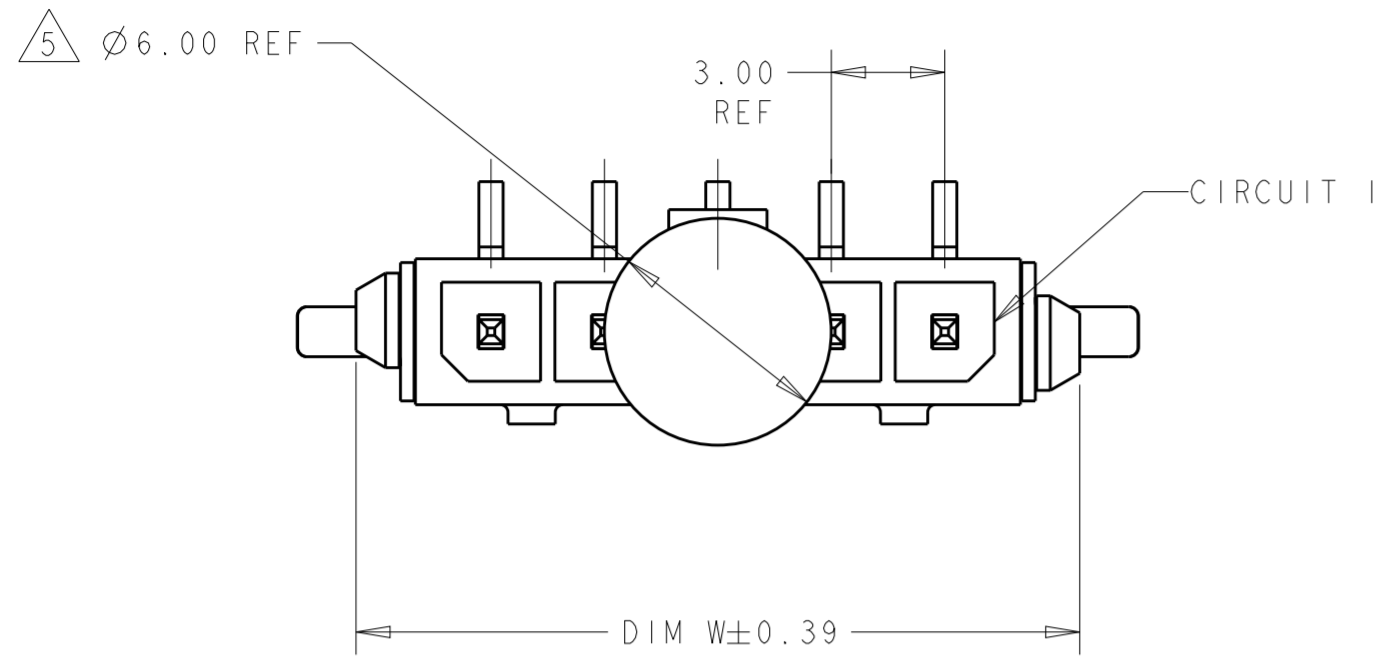
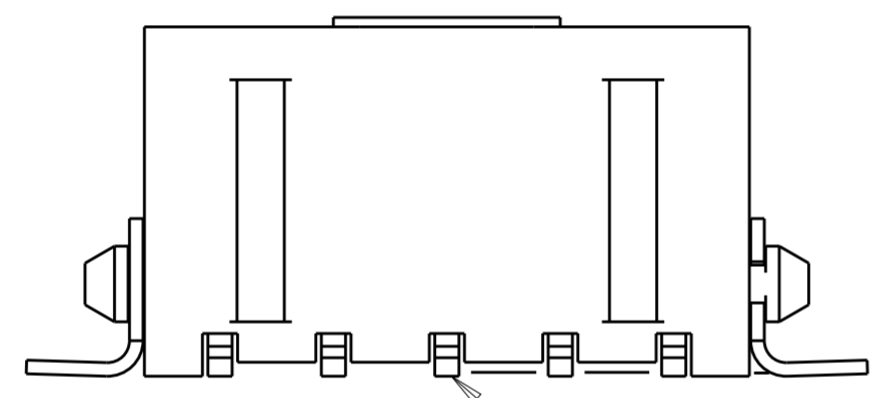


THIS DRAWING IS UNPUBLISHED. RELEASED FOR PUBLICATION 20
 © COPYRIGHT 20 BY - ALL RIGHTS RESERVED.

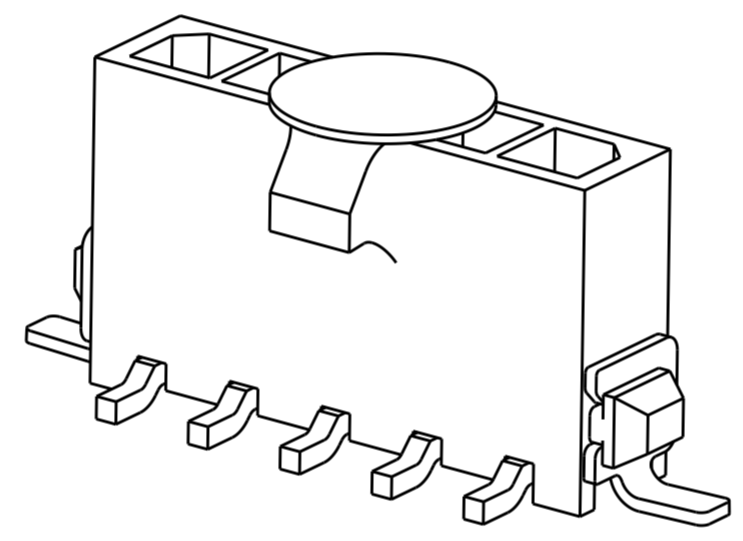
REVISIONS					
P	LTR	DESCRIPTION	DATE	DWN	APVD
D2		REVISED PER ECR-16-011494	21JUN2017	NK	CX
D3		ECO-19-006934	13MAY2019	AP	WS



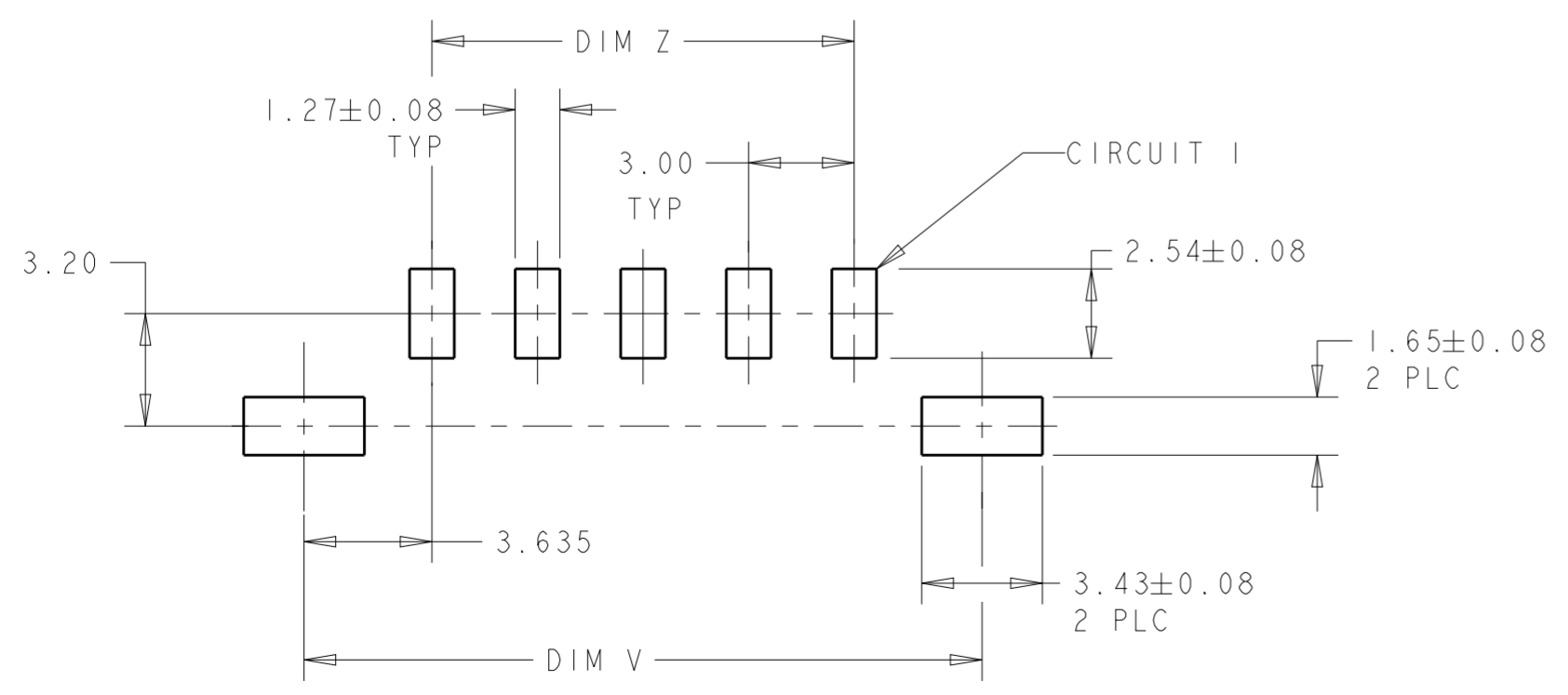
- 1 MATERIAL: CONTACTS - BRASS
HOUSING - UL 94V-0 RATED HIGH TEMP NYLON, COLOR BLACK.
HOLDDOWNS: - PHOSPHOR BRONZE.
- 2 PLATING: CONTACTS - 0.76µm MINIMUM GOLD ON MATING END,
2.54µm MINIMUM TIN LEAD ON SOLDER TAILS, BOTH OVER
1.27µm MINIMUM NICKEL.
HOLDDOWNS: 2.54µm MINIMUM TIN-LEAD OVER 1.27µm MINIMUM NICKEL.
- 4 RECOMMENDED PC BOARD THICKNESS OF 1.57.
- 5 KAPTON VACUUM PICK UP BUTTON.
- 6 PLATING: CONTACTS - 0.76µm MINIMUM GOLD ON MATING END,
2.54µm MINIMUM TIN ON SOLDER TAILS, BOTH OVER
1.27µm MINIMUM NICKEL.
HOLDDOWNS: 2.54µm MINIMUM TIN OVER 1.27µm MINIMUM NICKEL.



0.15
 INCLUDES CONTACT TAILS,
 HOUSING STANDOFFS, AND
 BOARDLOCKS



PLATING	DIM Z	DIM V	DIM W	NO. OF POSN	PART NUMBER
6	33.00	40.41	40.00	12	3-1445096-2
6	30.00	37.41	37.00	11	3-1445096-1
6	27.00	34.41	34.00	10	3-1445096-0
6	24.00	31.41	31.00	9	2-1445096-9
6	21.00	28.41	28.00	8	2-1445096-8
6	18.00	25.41	25.00	7	2-1445096-7
6	15.00	22.41	22.00	6	2-1445096-6
6	12.00	19.41	19.00	5	2-1445096-5
6	9.00	16.41	16.00	4	2-1445096-4
6	6.00	13.41	13.00	3	2-1445096-3
6	3.00	10.41	10.00	2	2-1445096-2
2	33.00	40.41	40.00	12	1445096-2
2	30.00	37.41	37.00	11	1445096-1
2	27.00	34.41	34.00	10	1445096-0
2	24.00	31.41	31.00	9	1445096-9
2	21.00	28.41	28.00	8	1445096-8
2	18.00	25.41	25.00	7	1445096-7
2	15.00	22.41	22.00	6	1445096-6
2	12.00	19.41	19.00	5	1445096-5
2	9.00	16.41	16.00	4	1445096-4
2	6.00	13.41	13.00	3	1445096-3
2	3.00	10.41	10.00	2	1445096-2



PCB LAYOUT COMPONENT SIDE 4

SUPERSEDED BY 3-1445096-2
 SUPERSEDED BY 3-1445096-1
 SUPERSEDED BY 3-1445096-0
 SUPERSEDED BY 2-1445096-9
 SUPERSEDED BY 2-1445096-8
 SUPERSEDED BY 2-1445096-7
 SUPERSEDED BY 2-1445096-6
 SUPERSEDED BY 2-1445096-5
 SUPERSEDED BY 2-1445096-4
 SUPERSEDED BY 2-1445096-3
 SUPERSEDED BY 2-1445096-2

THIS DRAWING IS A CONTROLLED DOCUMENT. DWN J.ROOT 09OCT2000
 CHK K.WHITAKER 20-FEB-2001
 APVD C.JONES 20-FEB-2001

TE Connectivity

NAME VERTICAL SURFACE MOUNT HEADER ASSY, 30 MIC GOLD CONTACTS, SURF MOUNT HOLDDOWNS, SGL ROW, MICRO MATE-N-LOK™

SIZE A2 CAGE CODE 00779 DRAWING NO. 1445096 RESTRICTED TO

SCALE 5:1 SHEET 1 OF 1 REV D3

PRODUCT SPEC 108-1836
 APPLICATION SPEC 114-13000
 WEIGHT -

MATERIAL SEE TABLE

Mouser Electronics

Authorized Distributor

Click to View Pricing, Inventory, Delivery & Lifecycle Information:

[TE Connectivity:](#)

[3-1445096-0](#)