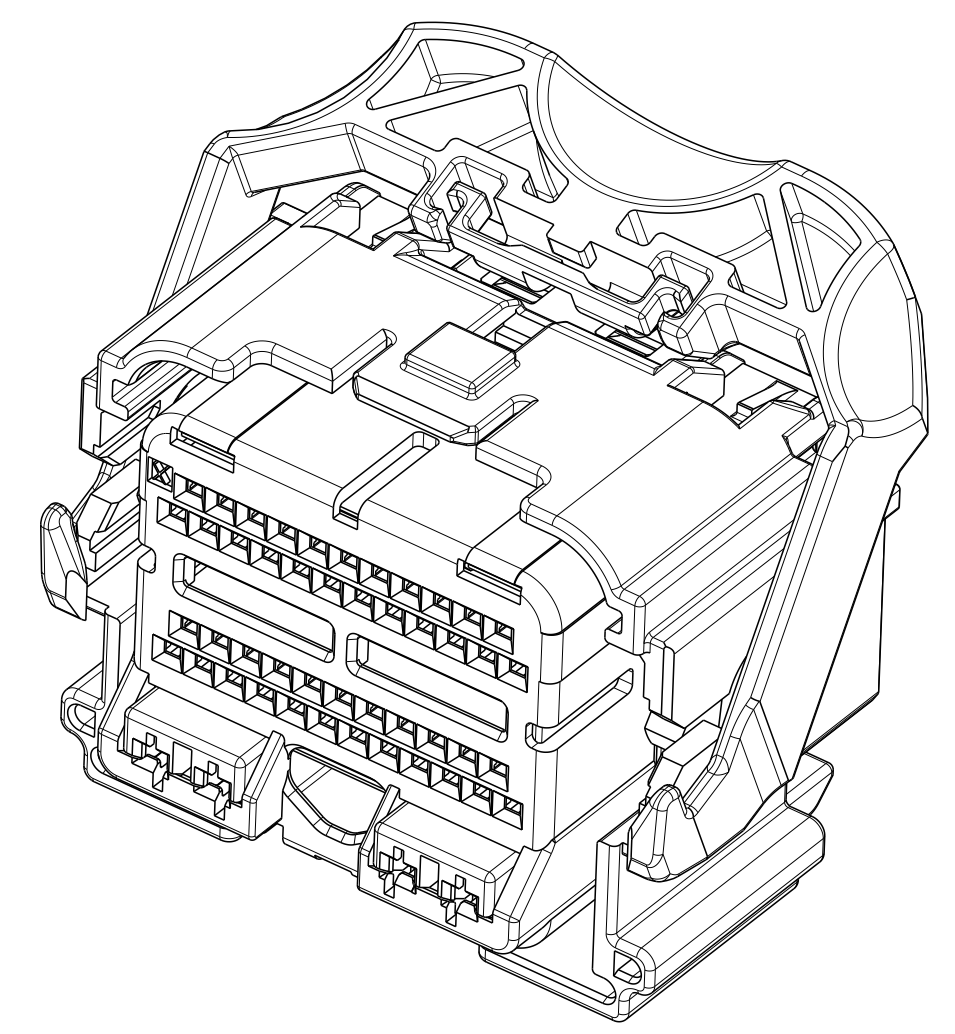
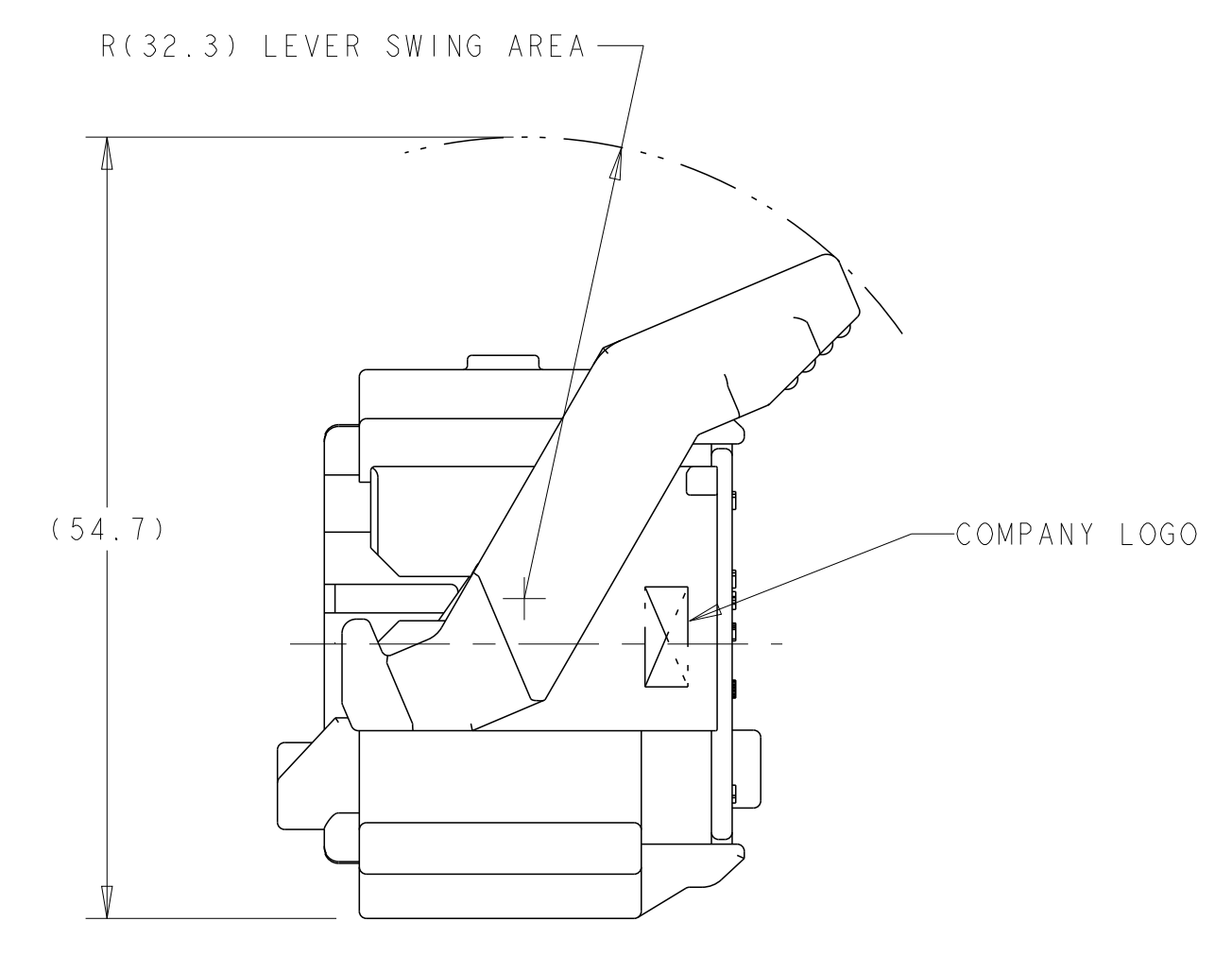
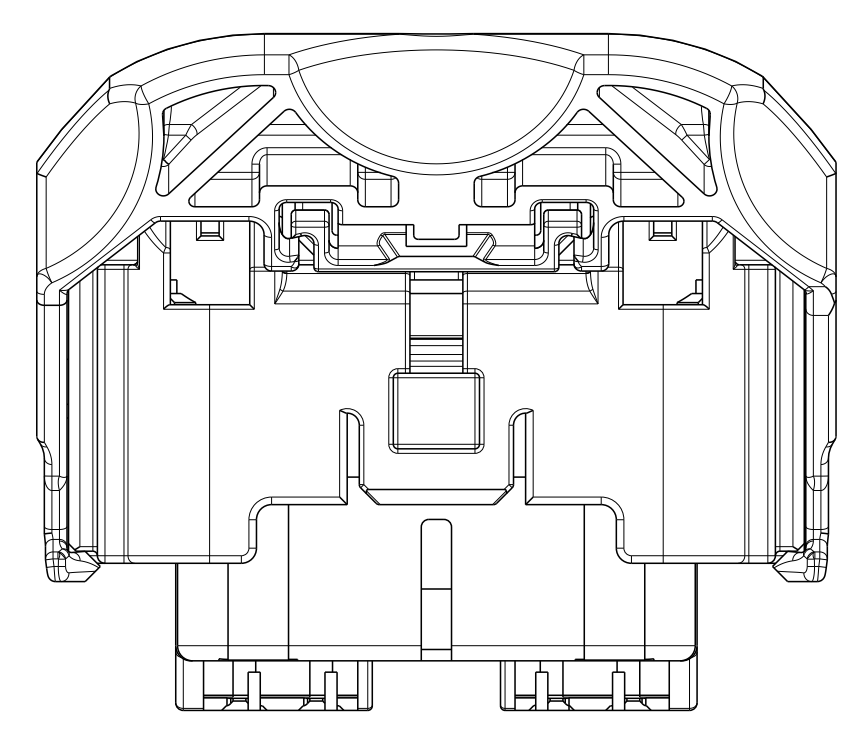


REVISIONS					
P	LTN	DESCRIPTION	DATE	DWN	APVD
A15		REVISED PER ECO-11-002569	25FEB2011	DLD	DCM
A16		REVISED PER ECO-14-011102	22JUL2014	DLD	DCM
A17		REVISED PER ECO-20-012415	10SEP2020	AP	CM

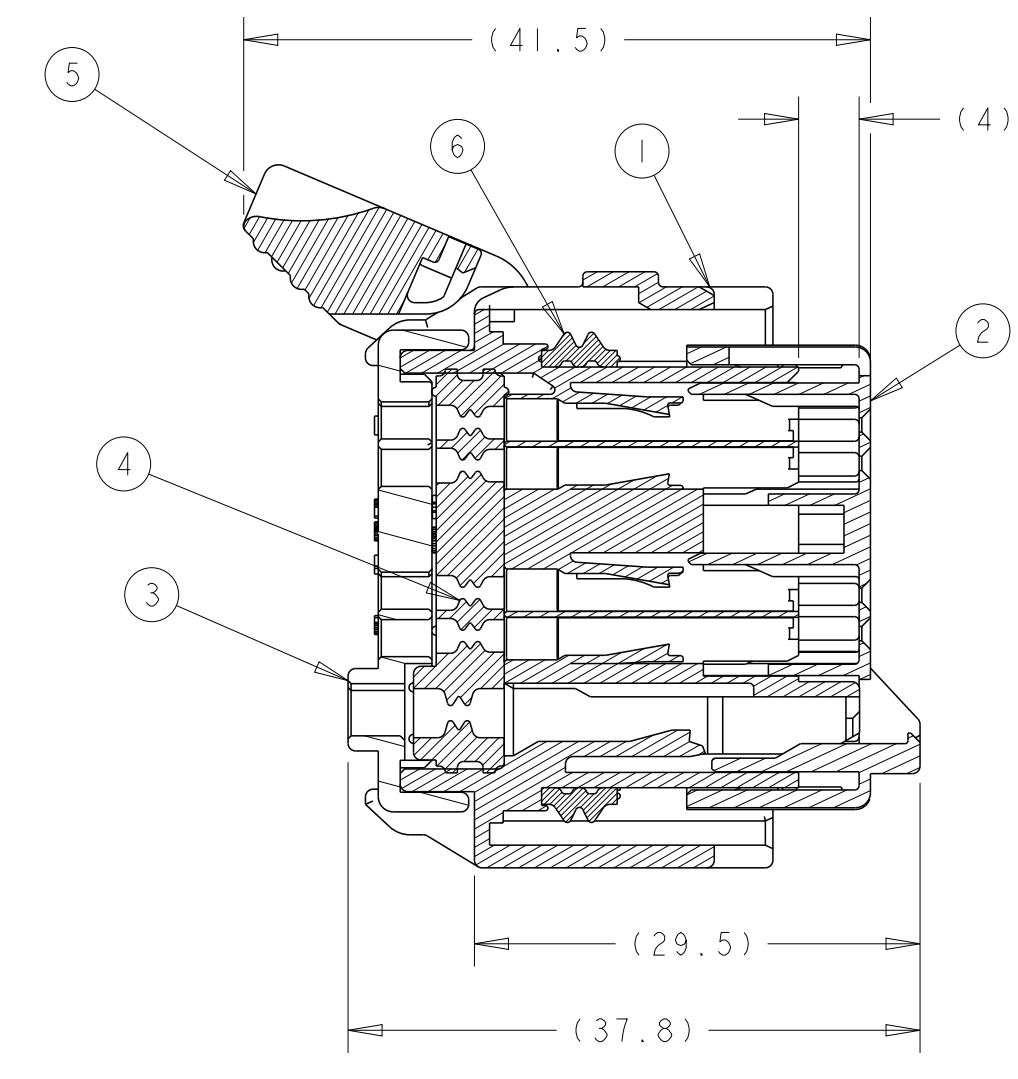


PART NUMBER:
1438691-1
SHOWN WITH SPACER
IN SEATED POSITION
SCALE 2:1

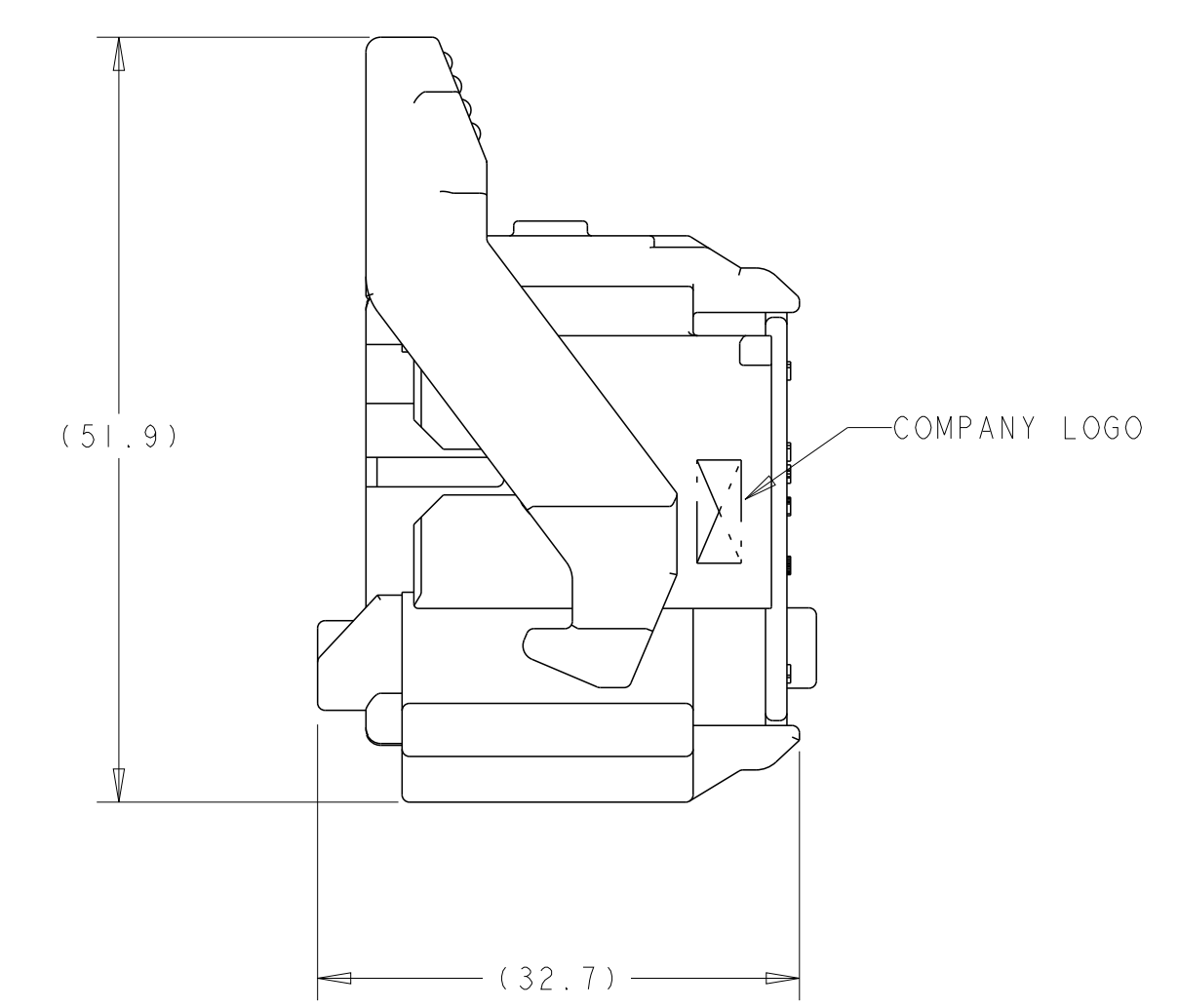
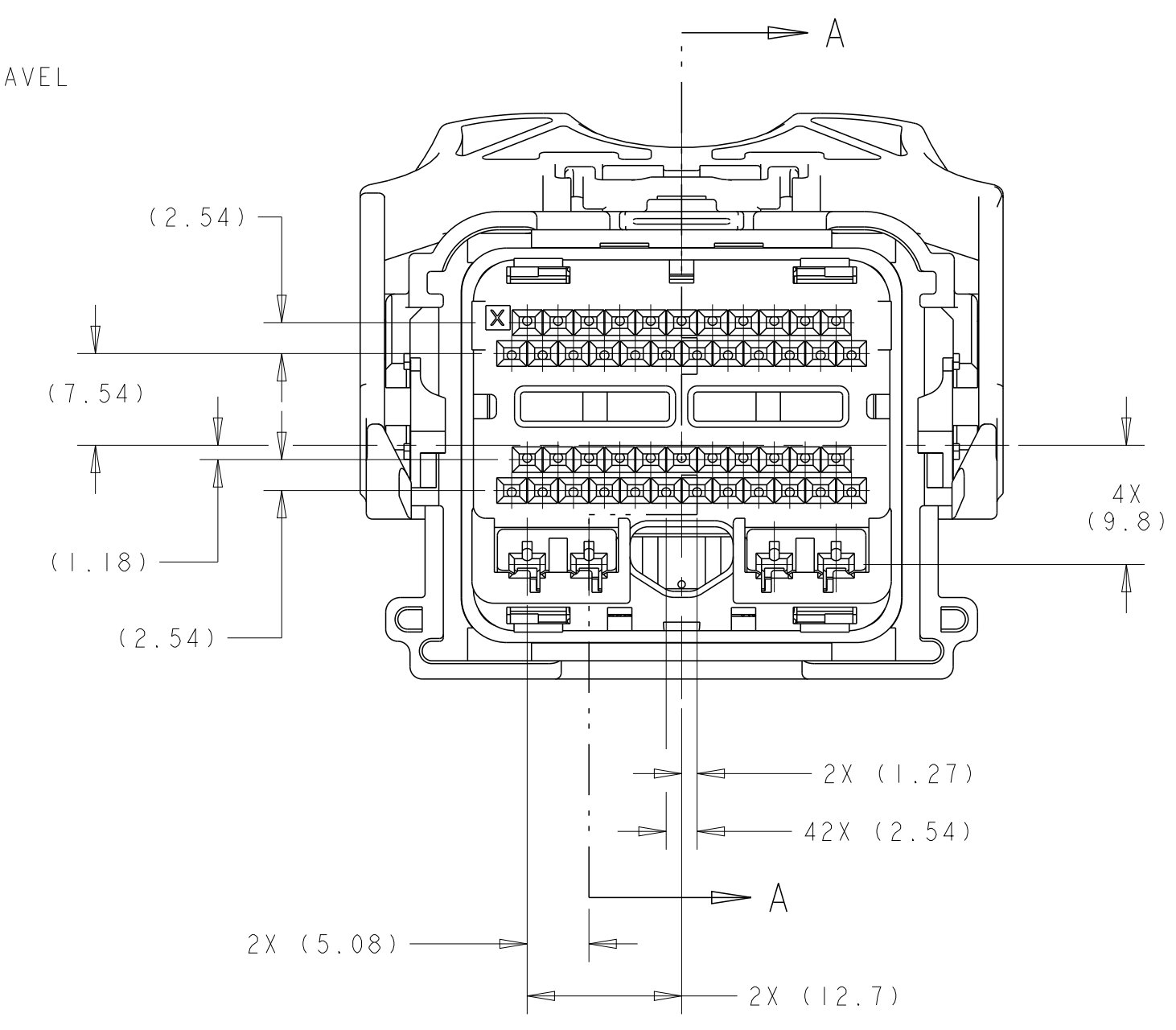


SHOWN WITH SPACER IN SEATED POSITION

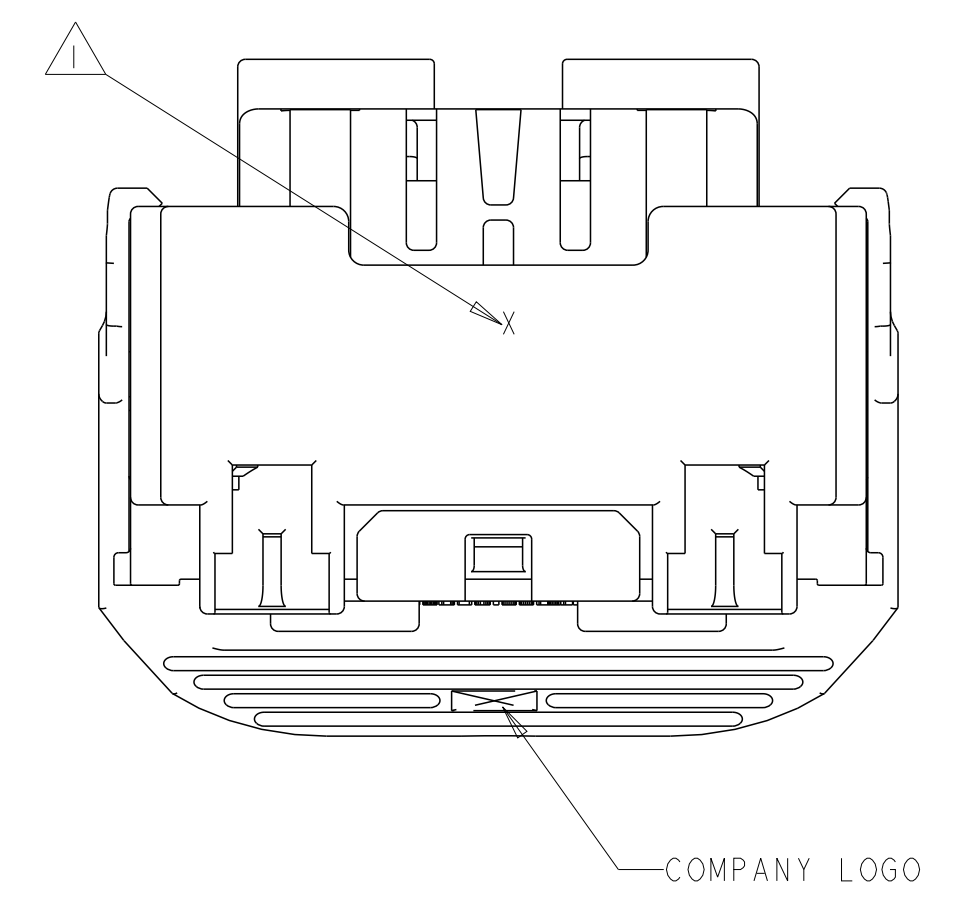
- △ PRINT TE PART NUMBER AND TRACEABILITY (YY : 2 DIGIT YEAR, JJJ = JULIAN DATE, HH = 2 DIGIT MILITARY HOUR CODE) IN THE LOCATION AT ASSEMBLY.
- △ OPTIONAL WIRE SHIELD PART NUMBERS (SOLD SEPARATELY) 1438126, 1438180, 1488373, AND 1488572. CONTACT TE ENGINEERING FOR MINIMUM FEED THRU CONDITION.
- 3. APPLICABLE TERMINAL PART NUMBERS (SOLD SEPARATELY) FOR TIN APPLICATIONS: 1393367 AND 1393366. FOR GOLD APPLICATIONS: 1393365 AND 1393364 FOR TERMINATION AND REELING OPTIONS SEE DRAWINGS 1393367, 1393366, 1393365, AND 1393364.
- 4. APPLICABLE MOLEX (1.5) POWER TERMINAL PART NUMBERS: 33012-0002 TIN 0.50-1.50mm²
- 5. CAM LEVER AND SPACER ARE SHIPPED IN THEIR PRE-ASSEMBLED POSITIONS.
- 6. REFERENCE TE INSTRUCTION SHEET 408-8893.
- △ OBSOLETE PART



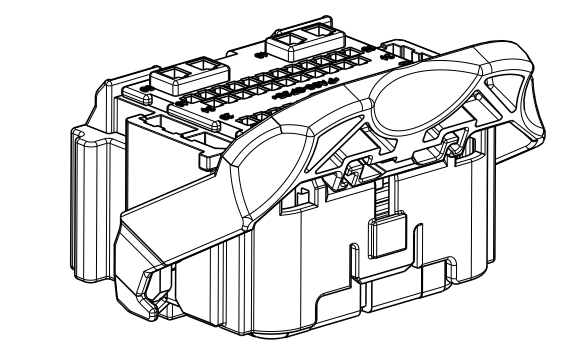
SECTION A-A
SPACER AND LEVER IN
PRE-SEATED POSITION
(DELIVERY CONDITION)



SHOWN WITH CAM
LEVER AND SPACER
IN LOADED POSITION



COMPANY LOGO



SCALE 1:1

GREEN	PERIMETER SEAL	6
GRAY	LEVER	5
BROWN	GROMMET SEAL	4
BLACK	COVER	3
RED	SPACER	2
BLACK	HARNESS, KEY "A"	1
PART COLOR	DESCRIPTION	ITEM NO.

THIS DRAWING IS A CONTROLLED DOCUMENT.

DIMENSIONS:	TOLERANCES UNLESS OTHERWISE SPECIFIED:	DWN B. CRISAMORE 21 JUL 2004	NAME
mm	0 PLC ±	CHK M. HITCHCOCK 21 JUL 2004	ASSEMBLY, 50-WAY, KEY A, PCM HARNESS
	1 PLC ±0.3	APVD C. MARTIN 21 JUL 2004	SIZE CAGE CODE DRAWING NO RESTRICTED TO
	2 PLC ±0.10		A 100779 C=1438691
	3 PLC ±		SCALE 2:1 SHEET 1 OF 4 REV A17
	4 PLC ±		
	ANGLES ±1°		
MATERIAL	FINISH	WEIGHT	Customer Drawing

THIS DRAWING IS UNPUBLISHED. RELEASED FOR PUBLICATION 20
 © COPYRIGHT 20 BY - ALL RIGHTS RESERVED.


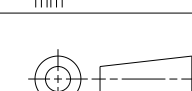
REVISIONS				
P	LTN	DESCRIPTION	DATE	APPD
-	-	SEE SHEET 1	-	-

		46	45	44	43	41	39	38	37	36	35	33	32	31	29	28	23	22	21	19	18	13	6	5	6-1438691-8																											
		46	45	44	43	41	39	38	37	36	35	33	32	31	29	28									6-1438691-7																											
		46	45	44	43	41	39	38	37	36	35	33	32	31	29	28									6-1438691-6																											
		46	45	44	43	41	39	38	37	36	35	33	32	31	29	28									6-1438691-5																											
		46	45	44	43	41	40	39	38	37	36	35	33	32	31	29	28								6-1438691-4																											
		46	45	44	43	41	40	39	38	37	36	35	33	32	31	29	28								6-1438691-3																											
		46	45	44	43	41	40	39	38	37	36	35	33	32	31	29	28								6-1438691-2																											
		46	45	44	43	41	40	39	38	37	36	35	33	32	31	29	28								6-1438691-1																											
		46	45	44	43	41	40	39	38	37	36	35	33	32	31	29	28								6-1438691-0																											
		46	45	44	43	42	41	40	39	38	37	36	35	33	32	29	28								5-1438691-9																											
		46	44	43	42	41	40	39	38	37	36	35	33	32	29	28									5-1438691-8																											
		46	45	44	43	42	41	40	39	38	37	36	35	33	32	29	28								5-1438691-7																											
		46	45	44	43	42	40	39	37	35	33	32	29	28											5-1438691-6																											
48	47	46	45	44	43	42	41	40	39	38	37	36	35	33	32										5-1438691-5																											
		46	45	44	43	42	41	40	39	38	37	35	32													5-1438691-4																										
		46	45	44	43	42	41	40	39	38	37	36	35	33	32											5-1438691-3																										
		46	45	44	43	42	41	39	38	37	36	35	33	32	29	28										5-1438691-2																										
		46	45	44	43	42	40	39	37	36	35	33	32	29	28											5-1438691-1																										
		46	44	43	42	41	39	38	37	36	35	33	32	29	28											5-1438691-0																										
48	47	46	45	44	43	42	41	40	39	38	37	35	32													4-1438691-9																										
48	47	46	45	44	43	42	41	40	39	38	37	35	32													4-1438691-8																										
		46	45	44	43	42	41	40	39	38	37	35	32													4-1438691-7																										
		46	45	44	43	42	41	40	39	38	37	36	35	33	32											4-1438691-6																										
48	47	46	45	44	43	42	41	39	38	37	35	32														4-1438691-5																										
48	47	46	45	44	43	42	41	39	38	37	35	32														4-1438691-4																										
48	47	46	45	44	43	42	41	39	38	37	36	35	33	32												4-1438691-3																										
48	47	46	45	44	43	42	41	40	39	38	37	36	35	33	32											4-1438691-2																										
48	47	46	45	44	43	42	41	39	38	37	36	35	33	32												4-1438691-1																										
		46	45	44	43	41	39	38	37	36	35	33	32	31	29	28										4-1438691-0																										
		46	45	44	43	41	39	38	37	36	35	33	32	31	29	28										3-1438691-9																										
		46	45	44	43	41	39	38	37	36	35	33	32	31	29	28										3-1438691-8																										
		46	45	44	43	41	39	38	37	36	35	33	32	31	29	28										3-1438691-7																										
		46	45	44	43	41	40	39	38	37	36	35	33	32	31	29	28									3-1438691-6																										
		46	45	44	43	41	39	38	37	36	35	33	32	31	29	28										3-1438691-5																										
		46	45	44	43	42	41	40	39	38	37	36	35	33	32	29	28									3-1438691-4																										
		46	45	44	43	42	41	39	38	37	36	35	33	32	29	28										3-1438691-3																										
		46	45	44	43	42	41	39	38	37	36	35	33	32	29	28										3-1438691-2																										
		46	45	44	43	42	41	39	38	37	36	35	33	32	29	28										3-1438691-1																										
		46	45	44	43	41	40	39	38	37	36	35	33	32	31	29	28									3-1438691-0																										
		46	45	44	43	42	40	39	38	37	36	35	33	32	31	29	28									2-1438691-9																										
		46	45	44	43	42	40	39	38	37	36	35	33	32	31	29	28									2-1438691-8																										
		46	45	44	43	42	39	37	36	35	33	32	29	28												2-1438691-7																										
		46	45	44	43	42	40	39	37	35	34	33	32													2-1438691-6																										
		46	45	44	43	42	41	40	39	38	37	36	35	34	33	32										2-1438691-5																										
		46	45	44	43	42	41	40	39	38	37	35	34	33	32											2-1438691-4																										
		46	45	44	43	42	41	40	39	38	37	35	34	32												2-1438691-3																										
		46	45	44	43	42	41	40	39	38	37	36	35	34	32											2-1438691-2																										
		46	45	44	43	42	41	40	39	38	37	36	35	34	32											2-1438691-1																										
48	47	46	45	44	43	42	41	39	38	37	35	34	33	32												2-1438691-0																										
48	47	46	45	44	43	42	41	39	38	37	35	34	32													1-1438691-9																										
48	47	46	45	44	43	42	41	40	39	38	37	36	35	34	32											1-1438691-8																										
48	47	46	45	44	43	42	41	40	39	38	37	36	35	32												1-1438691-7																										
48	47	46	45	44	43	42	41	40	39	38	37	36	35	33	32	29	28									1438691-8																										
48	47	46	45	44	43	42	41	40	39	38	37	36	35	34	33	32	29	28								1438691-7																										
		46	45	44	43	42	41	40	39	38	37	36	35	34	33	32	29	28								1438691-6																										
		46	45	44	43	42	41	39	38	37	36	35	33	32	29	28										1438691-5																										
		46	45	44	43	42	41	39	38	37	36	35	34	33	32	29	28									1438691-4																										
		46	45	44	43	42	40	39	37	36	35	34	33	32	29	28										1438691-3																										
		46	45	44	43	42	41	40	39	38	37	36	35	33	32	29	28									1438691-2																										
																										1438691-1																										
		50	49	48	47	46	45	44	43	42	41	40	39	38	37	36	35	34	33	32	31	30	29	28	27	26	25	24	23	22	21	20	19	18	17	16	15	14	13	12	11	10	9	8	7	6	5	4	3	2	1	ASSEMBLY PART NUMBER

KEYING OPTION A

CAVITIES WITH A NUMERIC SYMBOL INDICATES CLOSED TERMINAL LOCATIONS
 BLANK CAVITIES INDICATES OPEN TERMINAL HOLE LOCATIONS
 TERMINAL HOLE POSITION

PIN-OUT CHART

THIS DRAWING IS A CONTROLLED DOCUMENT.		OWN B. CRISAMORE 21 JUL 2004	 TE Connectivity ASSEMBLY, 50-WAY, KEY A, PCM HARNESS
DIMENSIONS: mm		CHK M. HITCHCOCK 21 JUL 2004	
 0 PLC ±.3 1 PLC ±0.10 2 PLC ±.15 3 PLC ±.20 4 PLC ±.25 ANGLES FINISH		APVD C. MARTIN 21 JUL 2004	NAME
MATERIAL		PRODUCT SPEC	SIZE CAGE CODE DRAWING NO RESTRICTED TO
		APPLICATION SPEC	A100779C=1438691
		WEIGHT	SCALE 2:1 SHEET 3 OF 4 REV A17
		Customer Drawing	

Mouser Electronics

Authorized Distributor

Click to View Pricing, Inventory, Delivery & Lifecycle Information:

[TE Connectivity:](#)

[3-1438691-5](#)