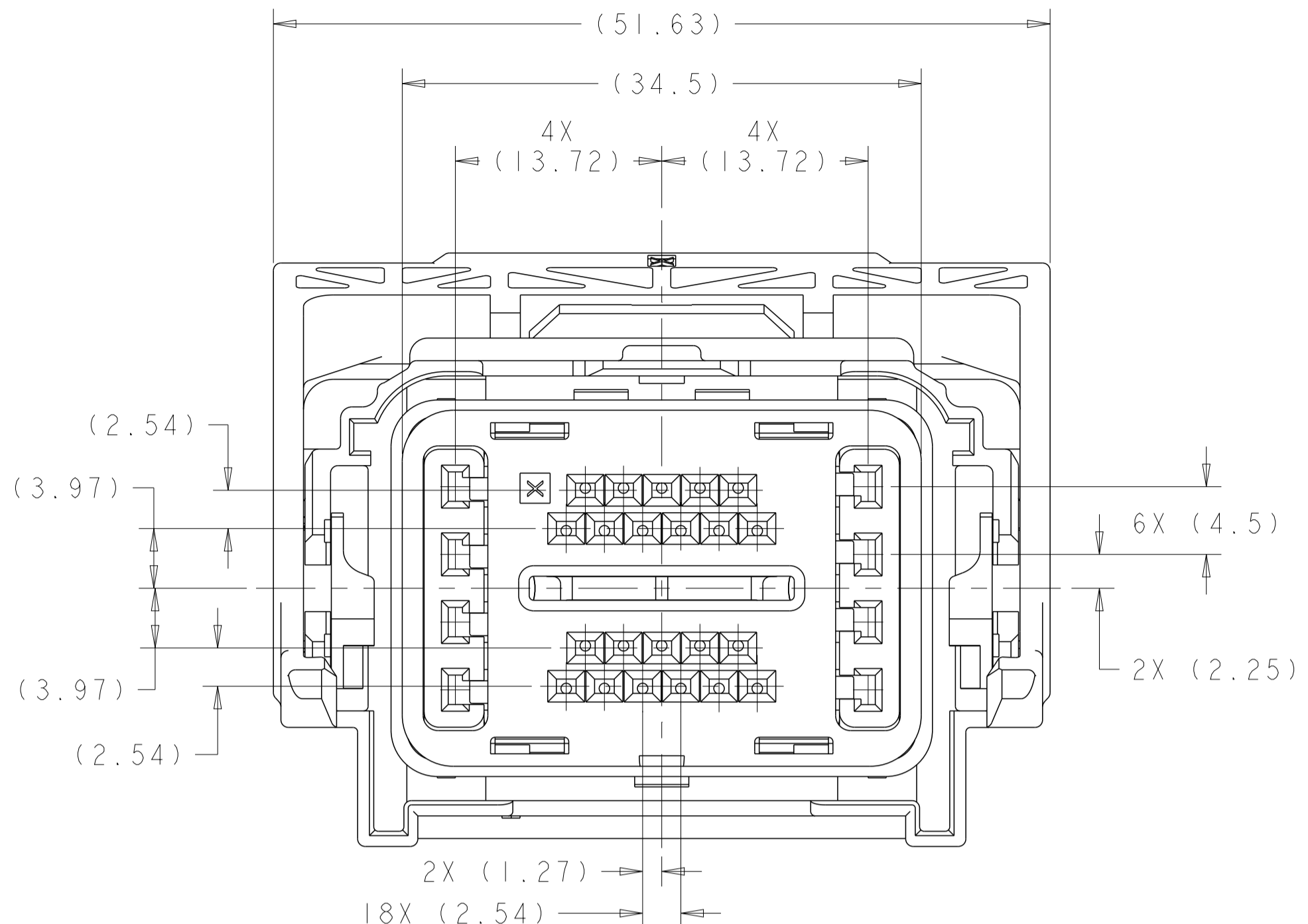
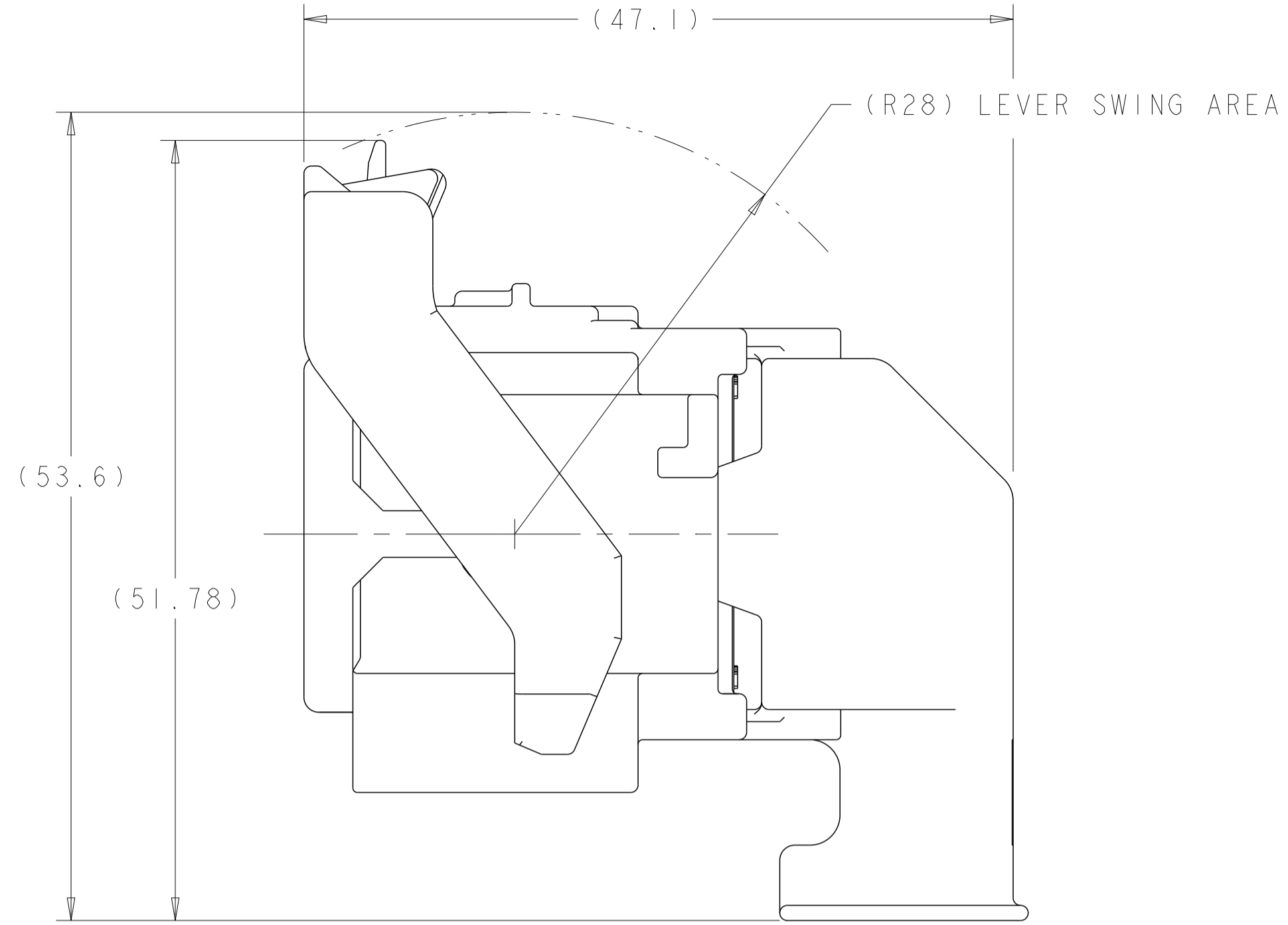


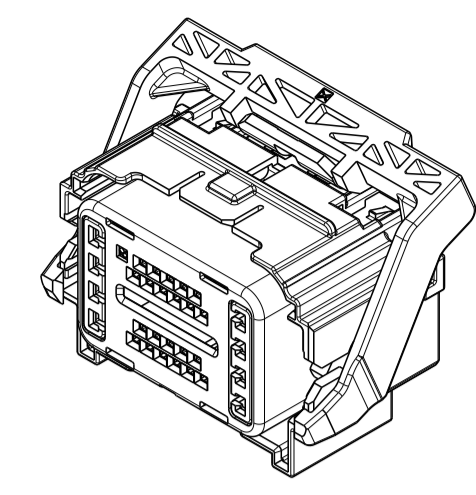
REVISIONS					
P	LTN	DESCRIPTION	DATE	DMN	APVD
H7		REVISED PER ECO-14-015177	15OCT2014	DLD	DCM
H8		REVISED PER ECO-15-011500	07AUG2015	DLD	DCM
H9		REVISED PER ECO-18-005723	16APR2018	JMS	CM
H10		REVISED PER ECO-20-012415	10SEP2020	AP	CM



KEYING OPTION "A" \triangle
 1438083-1

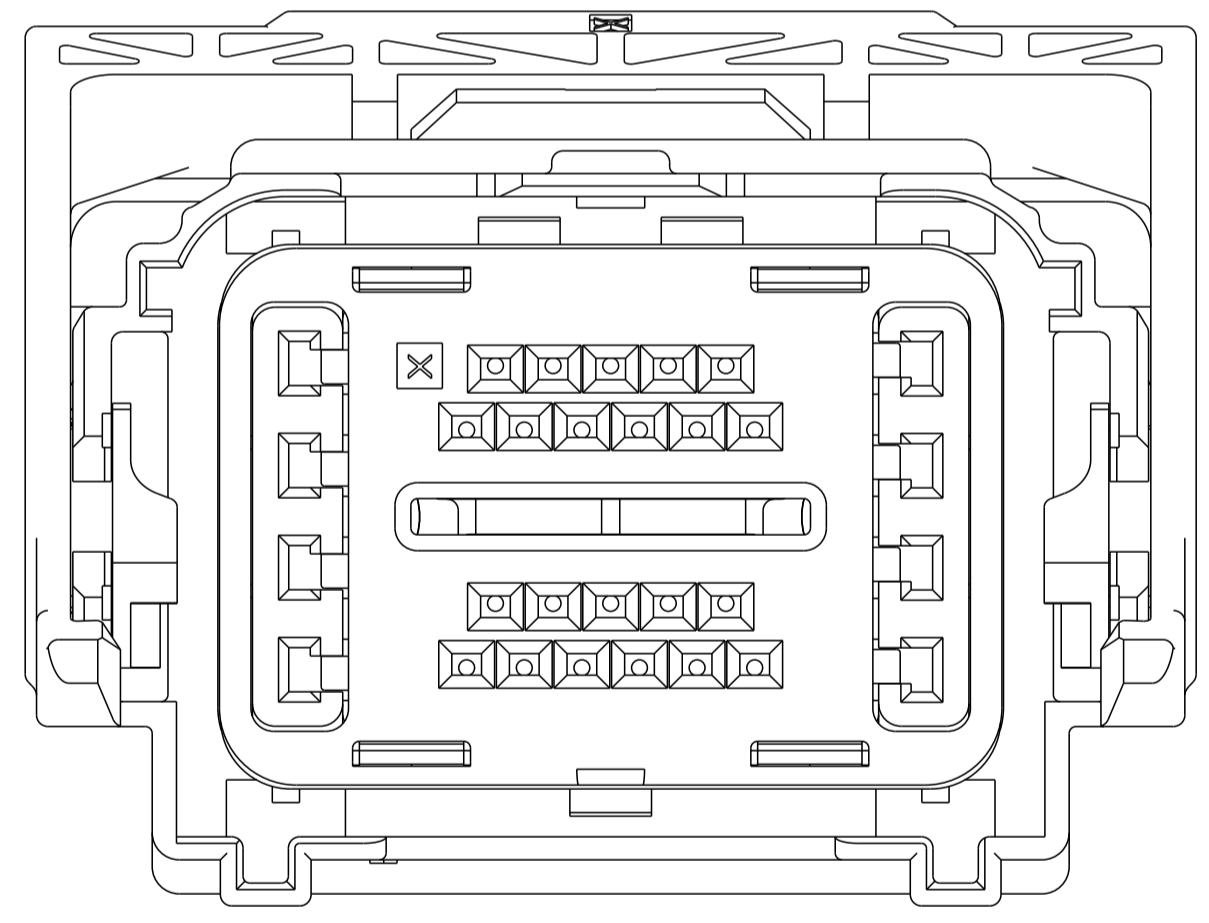


SHOWN WITH CAM LEVER AND SPACER
 IN LOADED POSITION WITH
 OPTIONAL WIRESHIELD



SCALE 1:1

- \triangle MATERIAL:
 HARNESS - 35% GLASS FILLED PA66, BLACK
 ALT MAT'L - 30% GLASS FILLED sPS, BLACK
- SPACER - 40% GLASS FILLED PPS, RED
 ALT MAT'L - 30% GLASS FILLED sPS, RED
- COVER - 35% GLASS FILLED PA66, BLACK
 ALT MAT'L - 30% GLASS FILLED LCP, BLACK
- CAM LEVER - 35% GLASS FILLED NYLON, GRAY
 GROMMET - SILICONE, BROWN
 PERIMETER SEAL - SILICONE, GREEN
- 2. CAM LEVER AND SPACER ARE SHIPPED IN PRE-LATCH POSITION.
- \triangle SEE PINOUT CHART FOR CLOSED CIRCUIT CONFIGURATIONS.
- \triangle CAVITIES WITH A NUMERIC SYMBOL INDICATES CLOSED TERMINAL LOCATIONS.
 BLANK CAVITIES INDICATE OPEN TERMINAL HOLE LOCATIONS.
- \triangle OBSOLETE PART

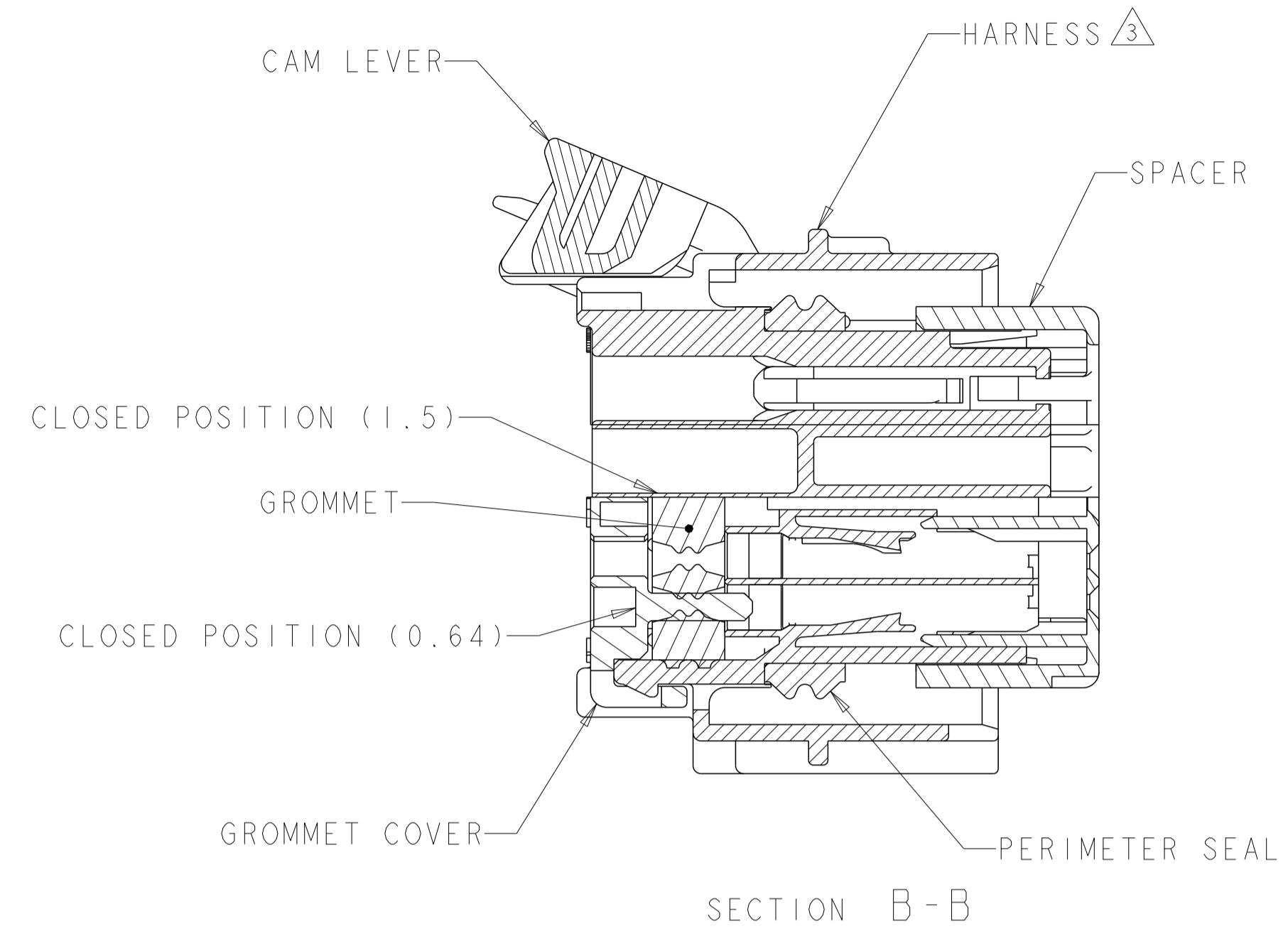
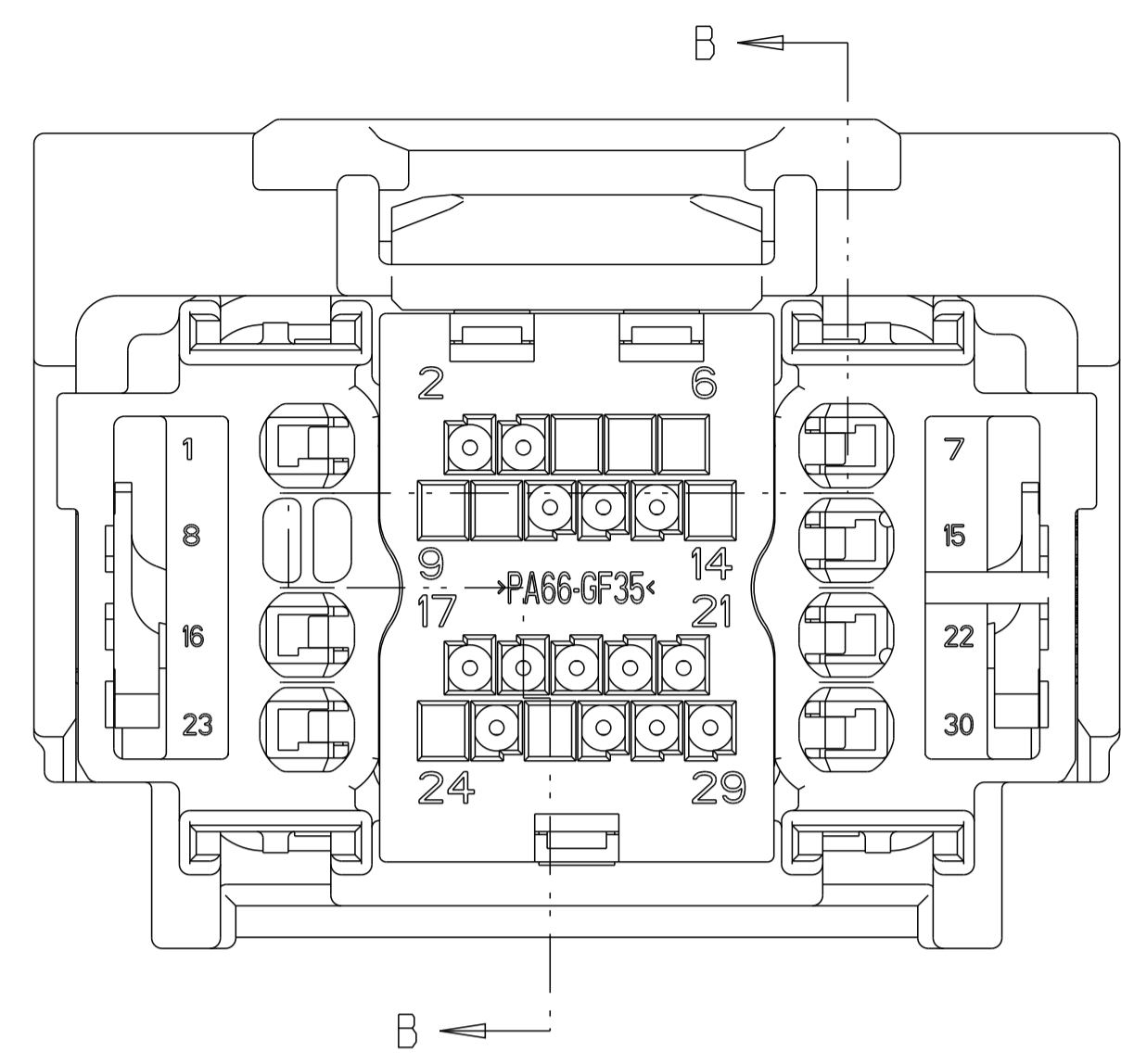


KEYING OPTION "B" \triangle
 2272926-1

CHART FOR CLOSED CIRCUIT CONFIGURATIONS
 SHEET 2

THIS DRAWING IS A CONTROLLED DOCUMENT.		DMN R. VESTAL 15OCT2003															
DIMENSIONS:		CHK D. STRAUSSER 15OCT2003															
mm	TOLERANCES UNLESS OTHERWISE SPECIFIED:	APVD D. STRAUSSER 15OCT2003	NAME PCM HARNESS ASSEMBLY, 30-WAY CONNECTOR														
<table border="1"> <tr><td>0 PLC</td><td>±</td></tr> <tr><td>1 PLC</td><td>±0.3</td></tr> <tr><td>2 PLC</td><td>±0.10</td></tr> <tr><td>3 PLC</td><td>±</td></tr> <tr><td>4 PLC</td><td>±</td></tr> <tr><td>ANGLES</td><td>±1°</td></tr> <tr><td>FINISH</td><td></td></tr> </table>	0 PLC	±	1 PLC	±0.3	2 PLC	±0.10	3 PLC	±	4 PLC	±	ANGLES	±1°	FINISH		PRODUCT SPEC	APPLICATION SPEC	SIZE A1
0 PLC	±																
1 PLC	±0.3																
2 PLC	±0.10																
3 PLC	±																
4 PLC	±																
ANGLES	±1°																
FINISH																	
MATERIAL	WEIGHT	CAGE CODE	DRAWING NO 100779														
	CUSTOMER DRAWING	SCALE	3:1														
		SHEET	1 OF 2														
		REV	H10														

REVISIONS				
P.	LTN.	DESCRIPTION	DATE	APPV.
-	-	SEE SHEET 1	-	-



TERMINAL HOLE POSITION																				PART NUMBER	FORD PART NUMBER											
30	29	28	27	26	25	24	23	22	21	20	19	18	17	16	15	14	13	12	11			10	9	8	7	6	5	4	3	2	1	
										20																					2272926-5	GU5T-14A464-XA-004
										20																					2272926-4	GU5T-14A464-XA-003
										20																					2272926-3	GU5T-14A464-XA-002
										20																					2272926-2	GU5T-14A464-XA-001
										20																					2272926-1	GU5T-14A464-XA-000

PIN-OUT CHART KEYING OPTION "B" ⁴

TERMINAL HOLE POSITION																				PART NUMBER	FORD PART NUMBER												
30	29	28	27	26	25	24	23	22	21	20	19	18	17	16	15	14	13	12	11			10	9	8	7	6	5	4	3	2	1		
																															4-1438083-6	2LIT-14A464-UC-042	
																															4-1438083-5	2LIT-14A464-UC-041	
																															4-1438083-4	2LIT-14A464-UC-040	
																															4-1438083-3	2LIT-14A464-UC-039	
30																															4-1438083-2	2LIT-14A464-UC-038	
	29		27	26	25	24																									4-1438083-1	2LIT-14A464-UC-037	
	29	28	27	26	25	24	23	22	21	20	19	18	17	16	15	14	13	12	11	10	9	8	7	6	5	4	3	2		4-1438083-0	2LIT-14A464-UC-036		
	29	28					23	22																								3-1438083-9	2LIT-14A464-UC-035
30	29	28	27	26	25	24	23	22	21	20	19	18	17	16	15	14	13	12	11	10	9	8	7	6	5	4	3	2		3-1438083-8	2LIT-14A464-UC-034		
	29	28	27	26	25	24	23	22																								3-1438083-7	2LIT-14A464-UC-033
	29	28	27	26	25	24	22	22																								3-1438083-6	2LIT-14A464-UC-032
		28																														3-1438083-5	2LIT-14A464-UC-031
																																3-1438083-4	2LIT-14A464-UC-030
30	29	28	27	26	25	24	23	22	21	20	19	18	17	16	15	14	13	12	11	10	9	8	7	6	5	4	3	2		3-1438083-3	2LIT-14A464-UC-029		
	29	28	27	26	25	24																										3-1438083-2	2LIT-14A464-UC-028
		28	27	26	25	24	23																									3-1438083-1	2LIT-14A464-UC-027
		28	27	26	25	24	23																									3-1438083-0	2LIT-14A464-UC-026
	29	28	27	26	25	24	23	22	21	20	19	18	17	16	15	14	13	12	11	10	9	8	7	6	5	4	3	2		2-1438083-9	2LIT-14A464-UC-025		
		28																														2-1438083-8	2LIT-14A464-UC-024
	29	28	27	26	25	24	23	22																								2-1438083-7	2LIT-14A464-UC-023
	29	28	27	26	25	24	23	22	21	20	19	18	17	16	15	14	13	12	11	10	9	8	7	6	5	4	3	2		2-1438083-6	2LIT-14A464-UC-022		
		28	27	26	25	24	23																									2-1438083-5	2LIT-14A464-UC-021
																																2-1438083-4	2LIT-14A464-UC-019
																																2-1438083-3	2LIT-14A464-UC-018
																																2-1438083-2	2LIT-14A464-UC-017
																																2-1438083-1	2LIT-14A464-UC-016
30	29	28																														2-1438083-0	2LIT-14A464-UC-015
																																1-1438083-9	2LIT-14A464-UC-014
30	29	28	27	26	25	24	23	22	21	20	19	18	17	16	15	14	13	12	11	10	9	8	7	6	5	4	3	2		1-1438083-8	2LIT-14A464-UC-013		
																																1-1438083-7	2LIT-14A464-UC-012
																																1-1438083-6	2LIT-14A464-UC-011
																																1-1438083-5	2LIT-14A464-UC-010
																																1-1438083-4	2LIT-14A464-UC-009
29	28	27	26	25	24	23	22																								1-1438083-3	2LIT-14A464-UC-008	
30	29	28																														1-1438083-2	2LIT-14A464-UC-007
	29	28																														1-1438083-1	2LIT-14A464-UC-006
	29	28																														1438083-9	2LIT-14A464-UC-005
	29	28																														1438083-8	2LIT-14A464-UC-004
	29	28	27	26	25	24																										1438083-7	2LIT-14A464-UC-003
30																																1438083-6	2LIT-14A464-UC-002
30																																1438083-5	2LIT-14A464-UC-001
																																1438083-4	2LIT-14A464-UC-000

PIN-OUT CHART KEYING OPTION "A" ⁴

THIS DRAWING IS A CONTROLLED DOCUMENT. **TE Connectivity**

DIMENSIONS: mm
 TOLERANCES UNLESS OTHERWISE SPECIFIED:
 0 PLC ±0.3
 1 PLC ±0.10
 2 PLC ±0.10
 3 PLC ±0.10
 4 PLC ±0.10
 ANGLES ±0.5°
 FINISH

MATERIAL: -
 FINISH: -

DWG: R. VESTAL 15OCT2003
 CHK: D. STRAUSSER 15OCT2003
 APPV: D. STRAUSSER 15OCT2003
 PRODUCT SPEC: -
 APPLICATION SPEC: -
 WEIGHT: -
 CUSTOMER DRAWING

NAME: PCM HARNESS ASSEMBLY, 30-WAY CONNECTOR
 SIZE: A100779
 CAGE CODE: -
 DRAWING NO: 1438083
 SHEET 2 OF 2
 SCALE: 3:1
 REV: H10

Mouser Electronics

Authorized Distributor

Click to View Pricing, Inventory, Delivery & Lifecycle Information:

[TE Connectivity:](#)

[3-1438083-0](#)