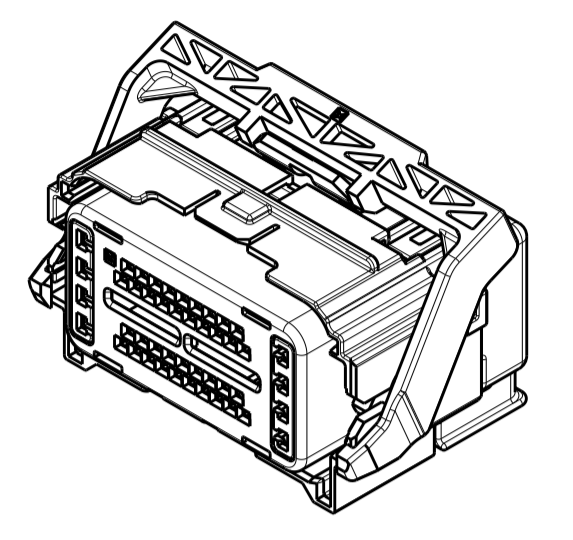
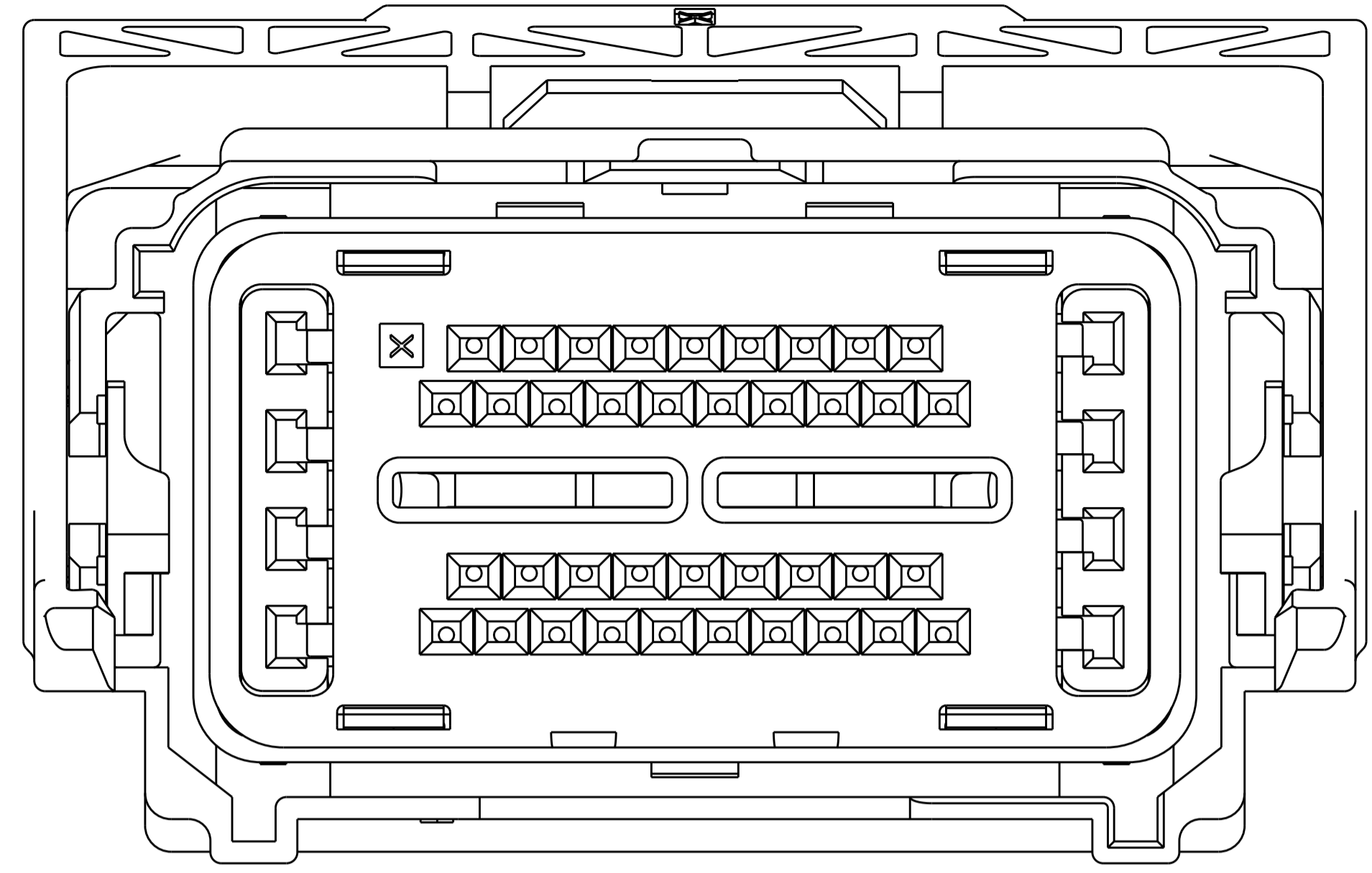
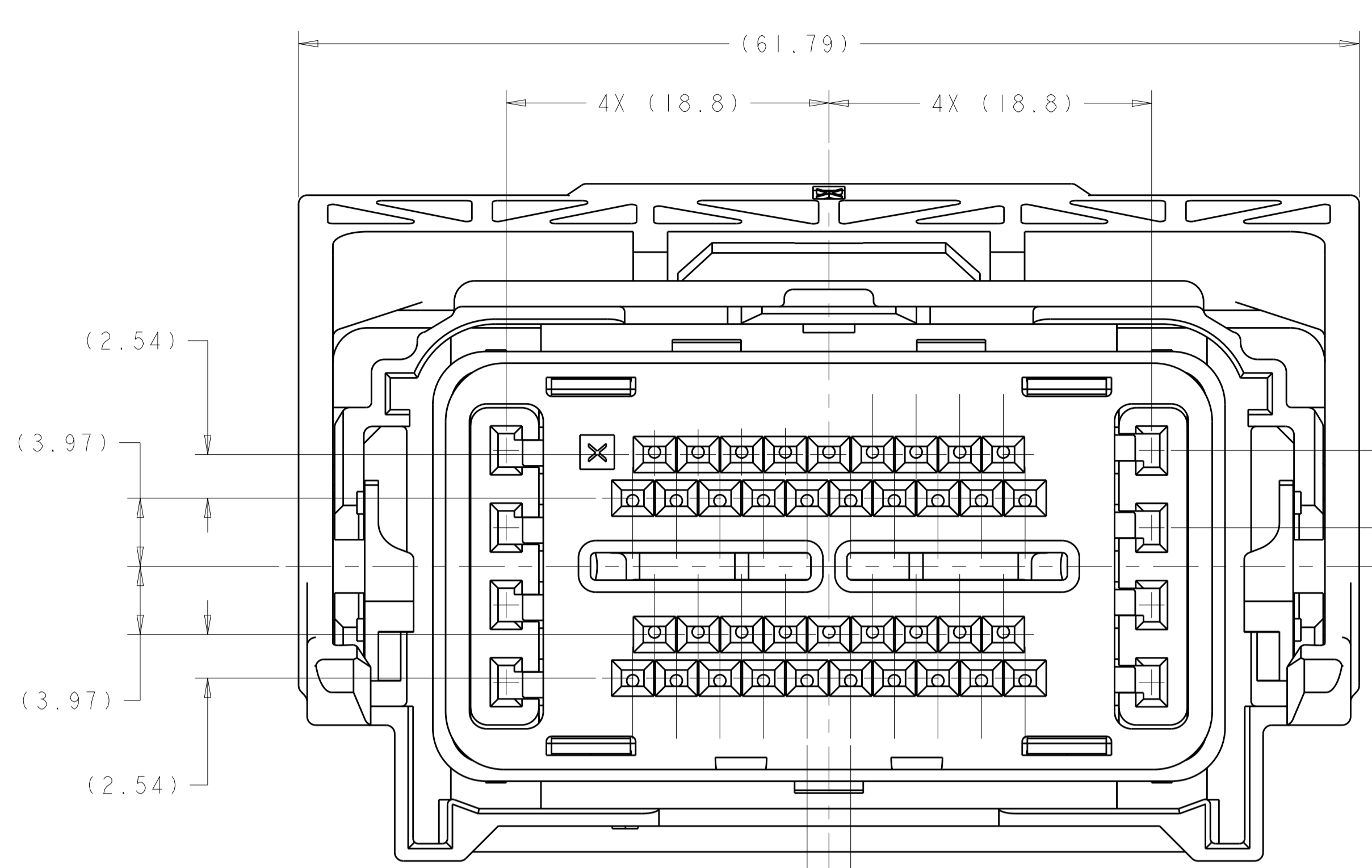
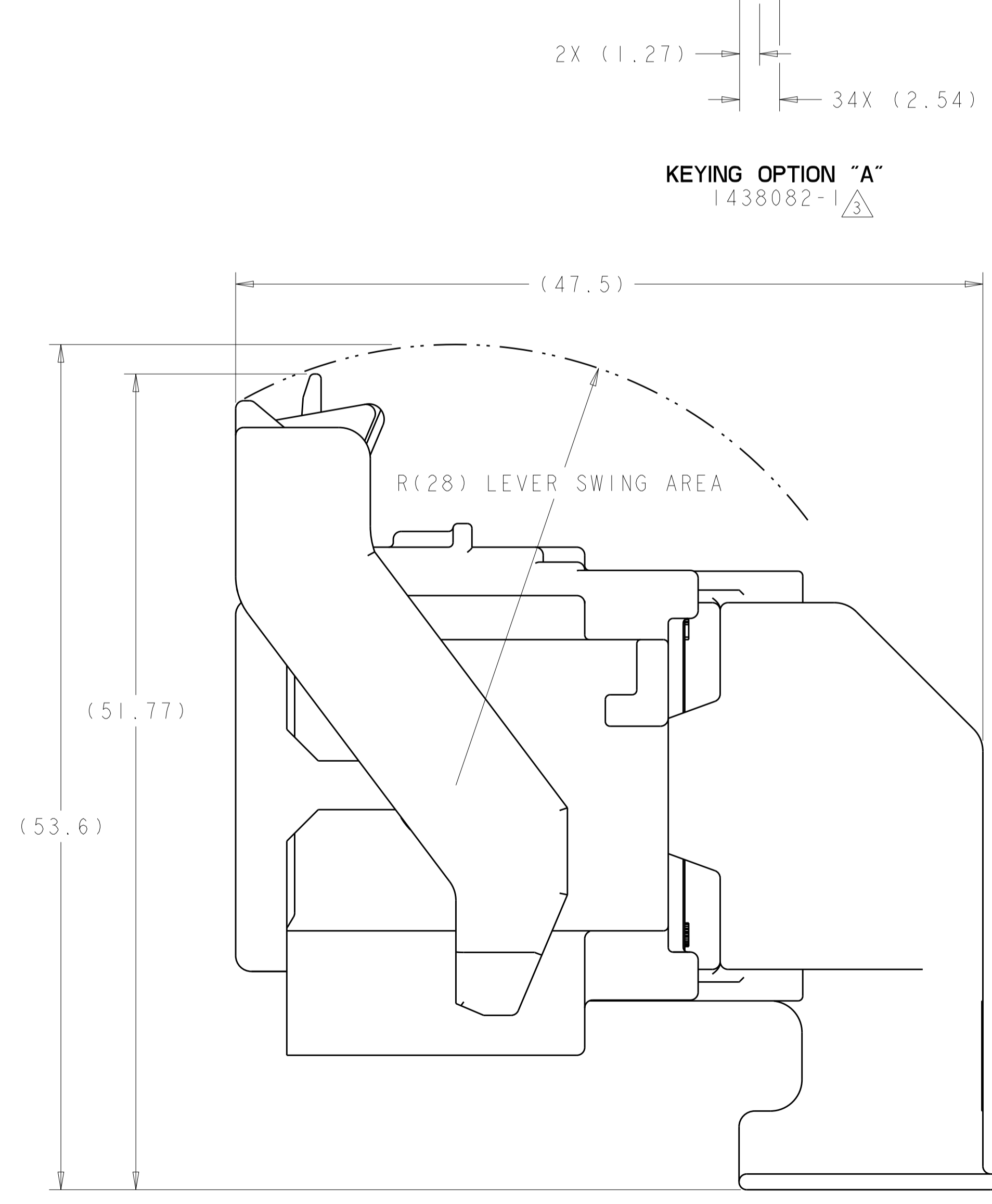


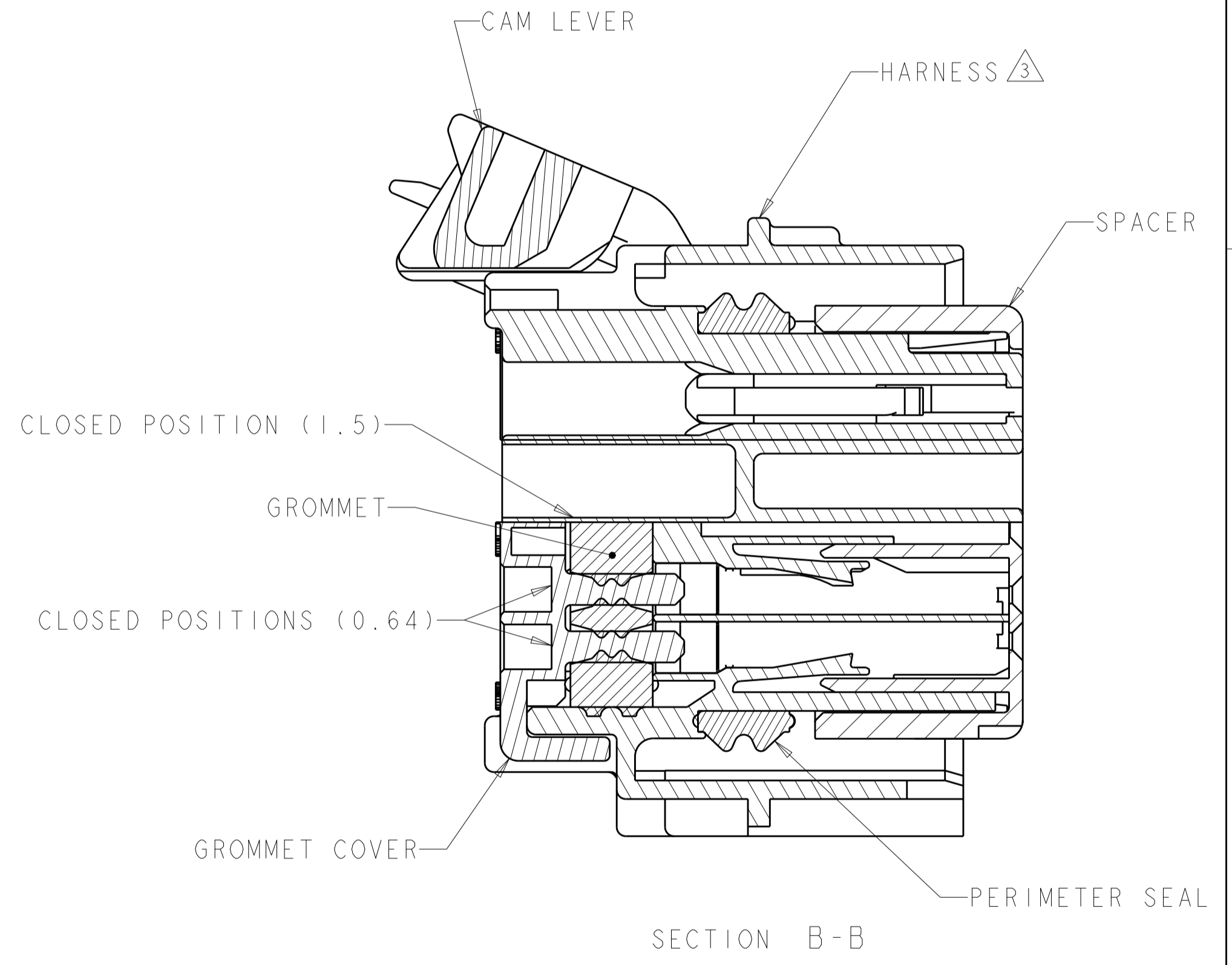
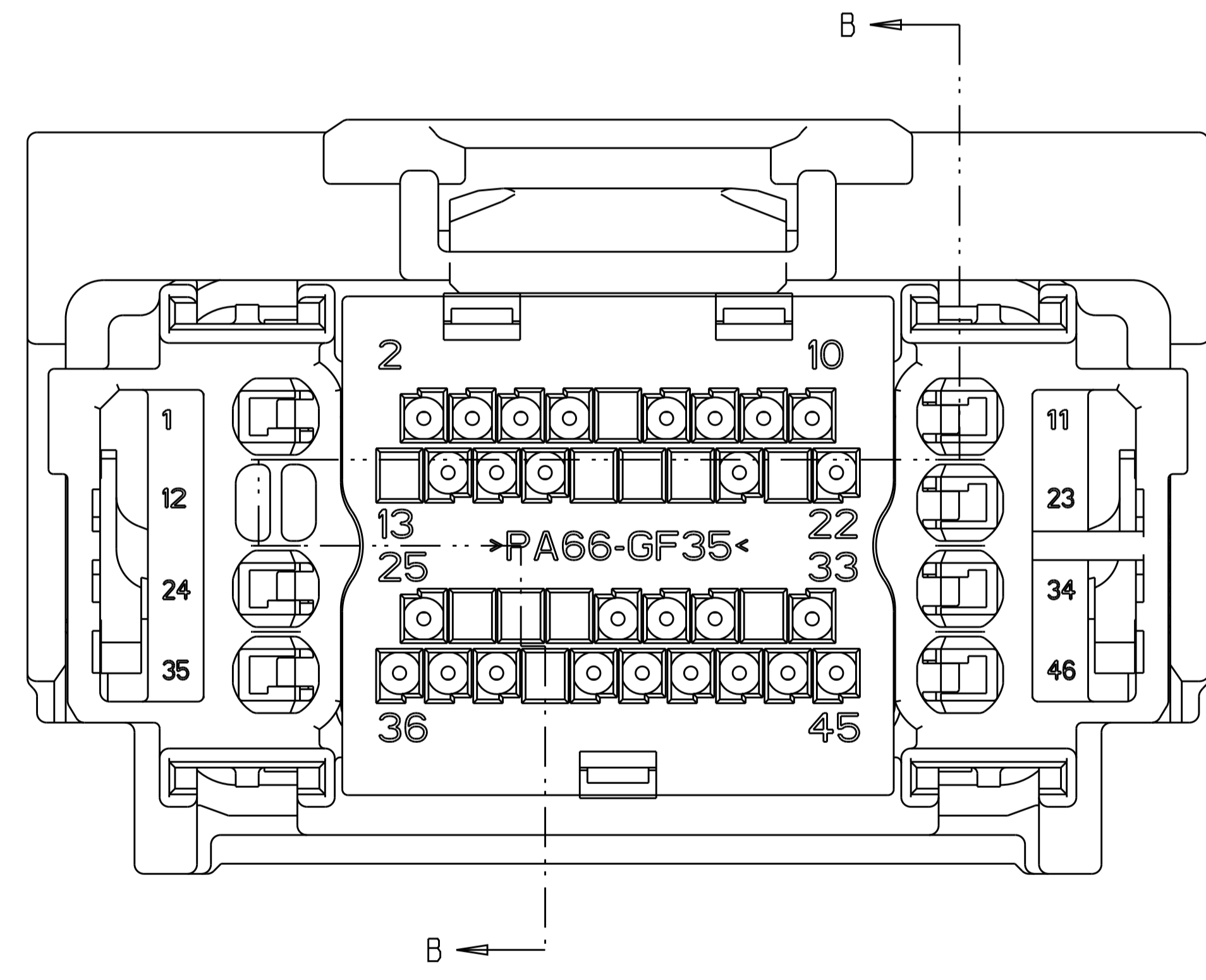
REVISIONS				
P. LTM	DESCRIPTION	DATE	DWN	APVD
S10	REVISED PER ECO-09-009758	23APR2009	DLD	DCM
S11	REVISED PER ECO-09-028550	29DEC2009	DLD	DCM
S12	REVISED PER ECO-20-012739	18SEP2020	AP	CM



SCALE 1:1



SHOWN WITH CAM LEVER AND SPACER IN LOADED POSITION WITH OPTIONAL WIRESHIELD



- △ MATERIAL:  
 HARNESS - 35% GLASS FILLED PA66, BLACK  
 ALT MAT'L: HARNESS - 30% GLASS FILLED sPS, BLACK  
 SPACER - 40% GLASS FILLED PPS+PA66, RED  
 ALT MAT'L: 30% GLASS FILLED sPS, RED  
 ALT MAT'L: 35% GLASS FILLED PA66, RED  
 COVER - 35% GLASS FILLED PA66, BLACK  
 ALT MAT'L: COVER - 30% GLASS FILLED LCP, BLACK  
 CAM LEVER - 35% GLASS FILLED NYLON, GRAY  
 GROMMET - SILICONE, BROWN  
 PERIMETER SEAL - SILICONE, GREEN

- 2. CAM LEVER AND SPACER ARE SHIPPED IN PRE-LATCH POSITION.
- △ SEE PINOUT CHART ON SHEETS 2, 3 AND 4 FOR CLOSED CIRCUIT CONFIGURATIONS.
- △ CAVITIES WITH A NUMERIC SYMBOL INDICATES CLOSED TERMINAL LOCATIONS. BLANK CAVITIES INDICATE OPEN TERMINAL HOLE LOCATIONS.

△ SEE PINOUT CHARTS  
PART NUMBER

THIS DRAWING IS A CONTROLLED DOCUMENT.		DWN: R. VESTAL 01AUG2003	
DIMENSIONS: mm		CHK: D. STRAUSSER 01AUG2003	
TOLERANCES UNLESS OTHERWISE SPECIFIED:		APVD: D. STRAUSSER 01AUG2003	NAME: 46 WAY PCM CONNECTOR HARNESS ASSEMBLY
0 PLC	±	PRODUCT SPEC	SIZE: CAGE CODE DRAWING NO
1 PLC	±0.3	APPLICATION SPEC	RESTRICTED TO
2 PLC	±0.10		
3 PLC	±		
4 PLC	±		
ANGLES	±*		
MATERIAL: SEE TABLE	FINISH: SEE TABLE	WEIGHT: -	SCALE: 4:1 SHEET 1 OF 5
CUSTOMER DRAWING		A100779C=1438082	REV: 12









# Mouser Electronics

Authorized Distributor

Click to View Pricing, Inventory, Delivery & Lifecycle Information:

[TE Connectivity:](#)

[8-1438082-2](#)