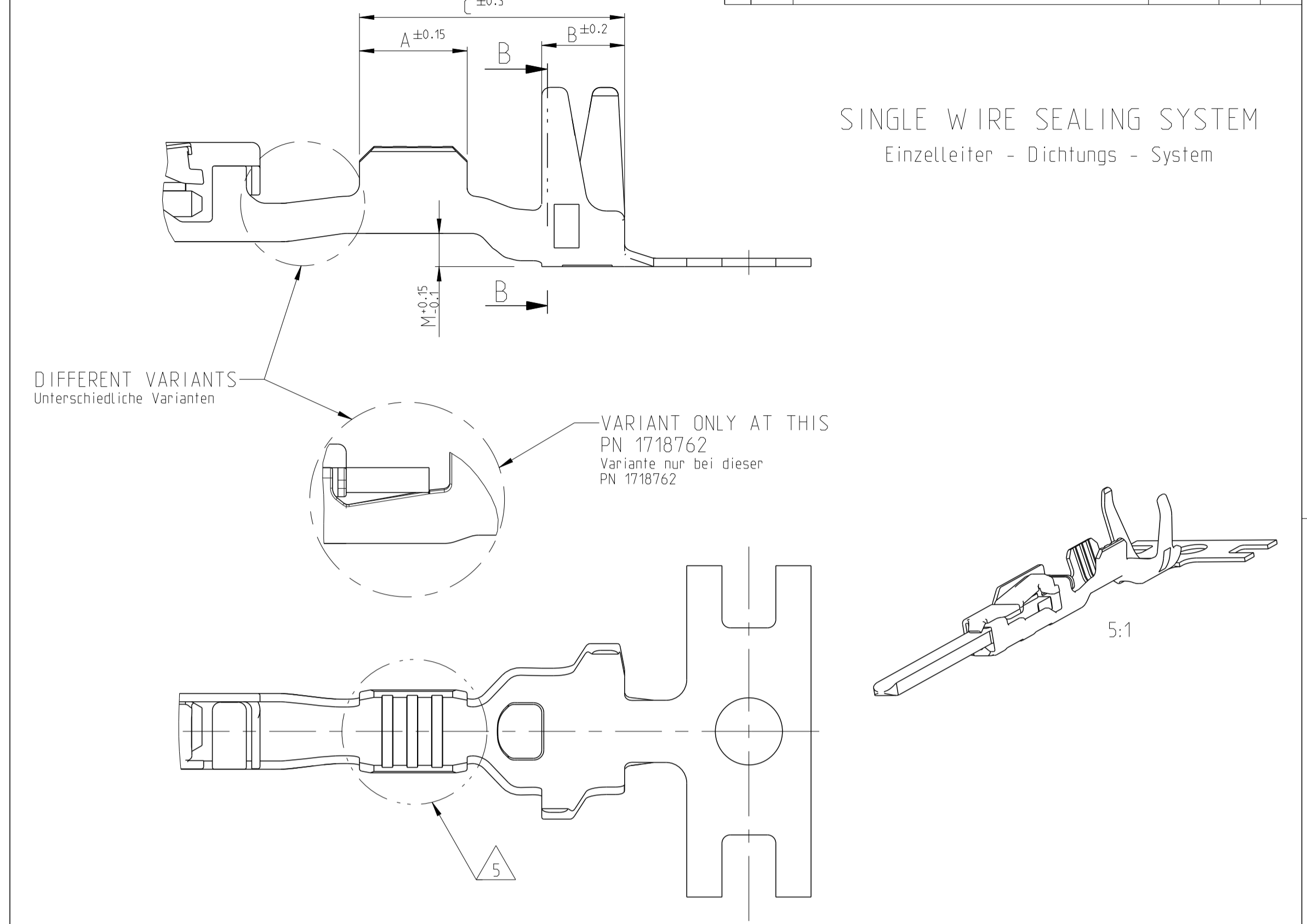
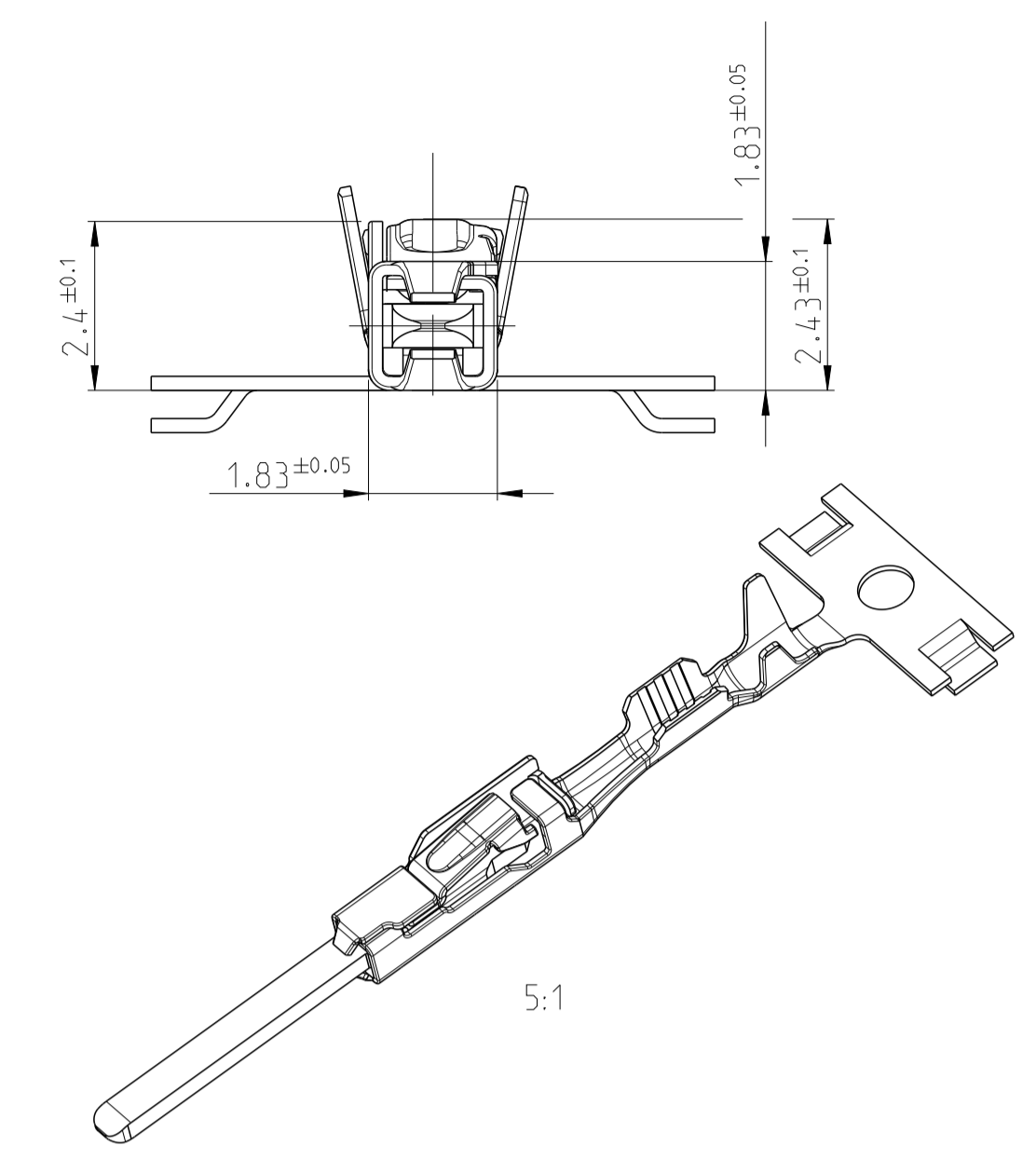
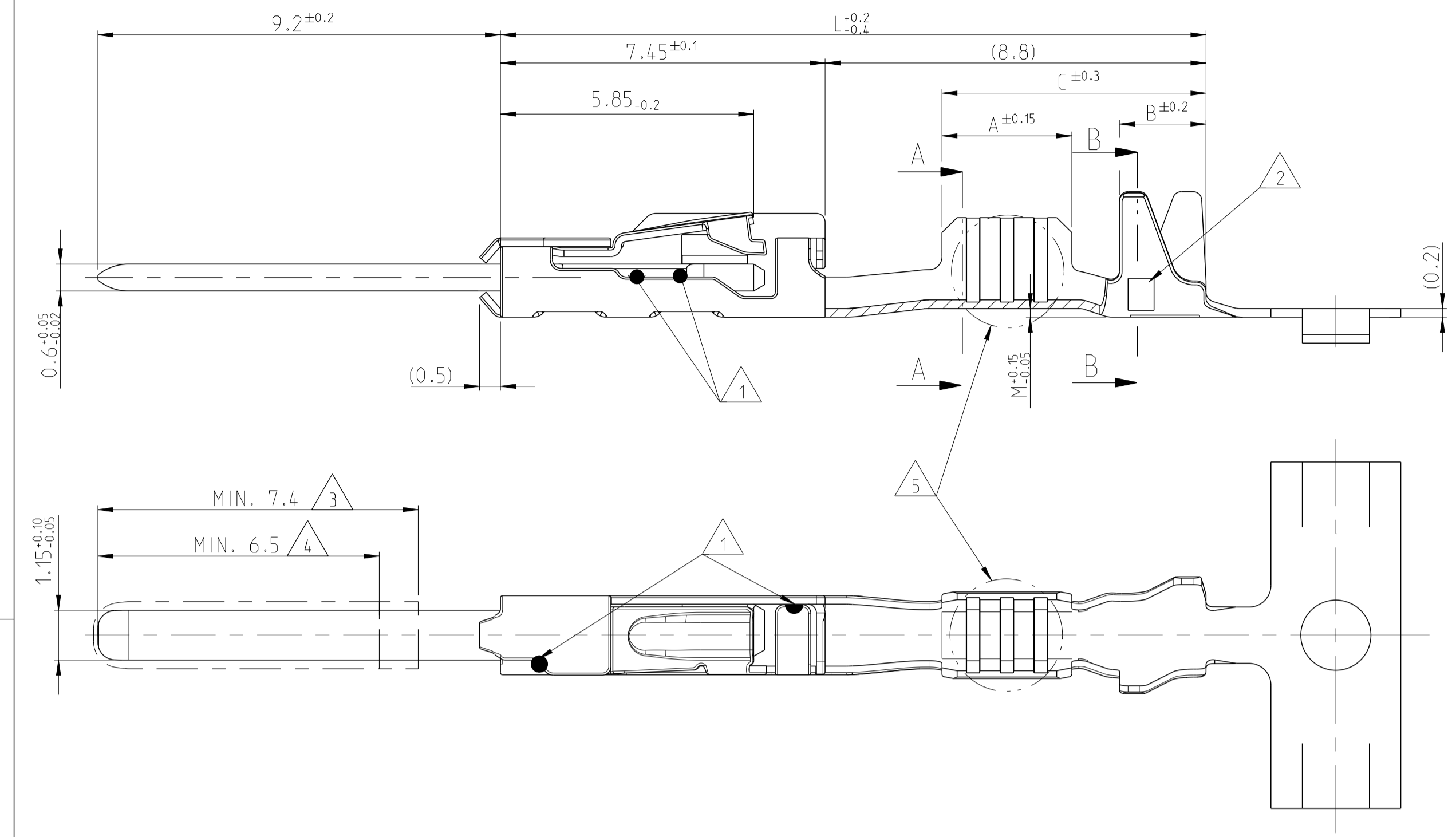


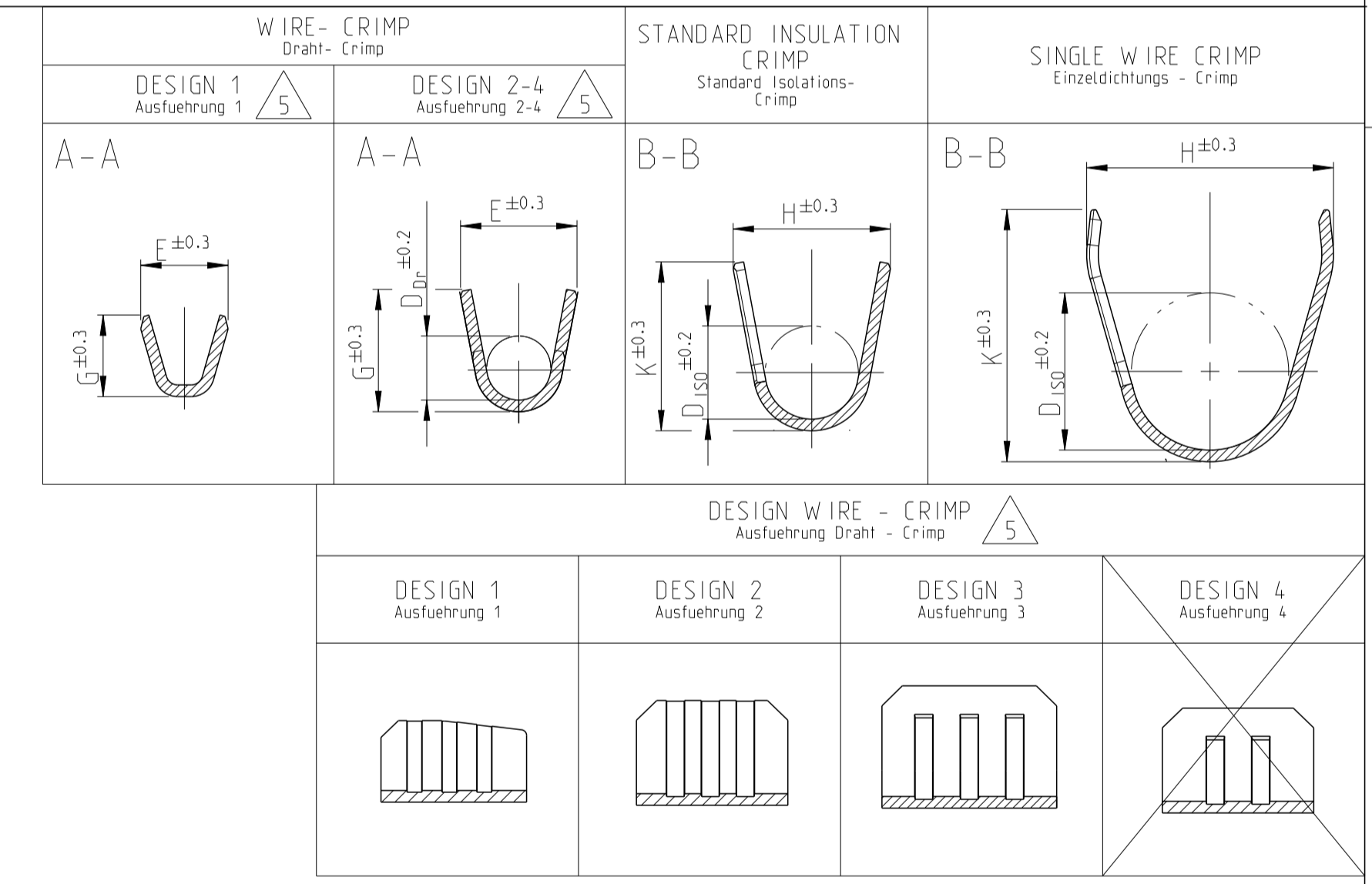
THE DRAWING SHOWS THE 2-DIMENSIONAL REFERENCE COMPONENT CONDITION OF THE ASSEMBLY TO IDENTIFY AND SPECIFY THE NECESSARY DIMENSIONS ONLY. THE DELIVERED PARTS MAY DEVIATE FROM THE DRAWING REGARDING THE ORIENTATION AND POSITION OF EACH COMPONENT (e.g. SLACK CABLE), SO FAR THE FUNCTIONALITY IS NOT CONCERNED.

DIE ZEICHNUNG ZEIGT DEN 2-DIMENSIONAL IDEALZUSTAND DES ZUSAMMENBAUTEILS BEZÜGLICH DER KOMPONENTEN ZUR IDENTIFIKATION UND SPEZIFIKATION DER NOTWENDIGEN DIMENSIONEN. HINSICHTLICH DER ORIENTIERUNG UND DER LAGE DER KOMPONENTEN (Z.B. BIEGESCHLAPTES KABEL) KÖNNEN DIE DELIEFERTEN TEILE VON DER ZEICHNUNG ABWEICHEN, SOFERN DIE FUNKTIONALITÄT NICHT BEEINTRÄCHTIGT IST.

REVISONS		DATE	DWN	APVD
PROJECT No.	C9	ECR-15-012070	22SEP2015	JBH BK
EGAUT 02021	C10	DIM 'L' FOR 2141868-1, -2 and -3 IS CHANGED TO 16.3mm	06OCT2017	GH CASS
	C11	E-19-013005	20AUG2019	FRAN CASS
	C12	Correction of Design 3	05JUN2020	FRAN CASS



INSULATION CRIMP FOR Isolationsschraubfeder	ORDER NO. Bestell-Nr. STRIP Bandware	REV	WIRE RANGE Drahtgrößenbereich (mm²)	INSULATION-Ø Isolations-Ø (mm)	BODY Kontaktkörper	TAB Flachstecker	BODY Kontaktkörper	SPRING Kontaktfeder	DESIGN WIRE-CRIMP Ausführung Draht-Crimp	LENGTH Laenge	WIRE CRIMP Drahtcrimp	INSULATION CRIMP Isolations Crimp	DIMENSION Mass 'L' (mm)	
SINGLE WIRE SEALING SYSTEM / Einzeldichtungssystem SEE APPLICATION SPECIFICATION / siehe Verarbeitungsspezifikation	1718762-3	B			CuNiSi	CuSn0.15/0.2	TIN PLATED verzinkt	4	2	A = 3.0 B = 2.0 C = 6.8	E = 2.6 G = 2.9 D _{or} = 1.35	H = 4.4 K = 4.3 D ₁₅₀ = 2.9 M = 0.8	16.8	
	1718762-2	C	1.0 - 1.5	1.9 - 2.4	CuNiSi	CuSn0.15/0.2	TIN PLATED verzinkt	3	2	A = 2.6 B = 2.0 C = 6.4	E = 2.0 G = 2.1 D _{or} = 1.1	H = 4.2 K = 4.3 D ₁₅₀ = 2.7 M = 0.8	16.3	
	1718762-1	B			CuNiSi	CuSn0.15/0.2	TIN PLATED verzinkt	4	2	A = 2.6 B = 2.0 C = 6.4	E = 1.8 G = 1.8 D _{or} = 0.8	H = 4.2 K = 4.3 D ₁₅₀ = 2.6 M = 0.8	16.3	
	1718760-3	A	0.5 - 0.75	1.4 - 1.9	CuNiSi	CuSn0.15/0.2	TIN PLATED verzinkt	4	2	A = 2.5 B = 1.9 C = 6.2	E = 1.5 G = 1.4	H = 4.0 K = 4.1 D ₁₅₀ = 2.6 M = 0.6	16.3	
	1718760-2	B			CuNiSi	CuSn0.15/0.2	TIN PLATED verzinkt	4	2	A = 3.0 B = 2.0 C = 6.1	E = 2.6 G = 2.9 D _{or} = 1.35	H = 3.7 K = 3.9 D ₁₅₀ = 2.1 M = 0.2	16.3	
	1718760-1	A			CuNiSi	CuSn0.15/0.2	TIN PLATED verzinkt	4	2	A = 3.0 B = 2.0 C = 6.1	E = 2.0 G = 2.1 D _{or} = 1.1	H = 2.7 K = 2.9 D ₁₅₀ = 1.6 M = 0.2	16.3	
	1718758-3	A	0.25 - 0.35	1.1 - 1.75	CuNiSi	CuSn0.15/0.2	TIN PLATED verzinkt	4	2	A = 3.0 B = 2.0 C = 6.1	E = 2.0 G = 2.1 D _{or} = 1.1	H = 2.7 K = 2.9 D ₁₅₀ = 1.6 M = 0.2	16.3	Superseded
	1718758-2	B			CuNiSi	CuSn0.15/0.2	TIN PLATED verzinkt	4	2	A = 2.6 B = 2.0 C = 5.7	E = 1.8 G = 1.8 D _{or} = 0.8	H = 2.6 K = 2.6 D ₁₅₀ = 1.4 M = 0.2	16.3	
	1718758-1	A			CuNiSi	CuSn0.15/0.2	TIN PLATED verzinkt	4	2	A = 2.6 B = 2.0 C = 5.7	E = 1.8 G = 1.8 D _{or} = 0.8	H = 2.6 K = 2.6 D ₁₅₀ = 1.4 M = 0.2	16.3	Superseded
	2141868-3	A	0.13 - 0.22	0.85 - 1.2	CuNiSi	CuSn0.15/0.2	TIN PLATED verzinkt	4	1	A = 2.5 B = 1.7 C = 5.4	E = 1.5 G = 1.4	H = 2.0 K = 1.9 D ₁₅₀ = 1.1	15.3	
	2141868-2	A			CuNiSi	CuSn0.15/0.2	TIN PLATED verzinkt	4	1	A = 2.5 B = 1.7 C = 5.4	E = 1.5 G = 1.4	H = 2.0 K = 1.9 D ₁₅₀ = 1.1	15.3	
	2141868-1	A			CuNiSi	CuSn0.15/0.2	TIN PLATED verzinkt	4	1	A = 2.5 B = 1.7 C = 5.4	E = 1.5 G = 1.4	H = 2.0 K = 1.9 D ₁₅₀ = 1.1	15.3	



- 1 LASER WELDED Lasergeschweisst
- 2 REVISION STATUS Revisionsstand
- 3 CONTACT AREA TAB MIN. 0.8µm SELECTIV GOLD OVER Ni Kontaktzone selectiv vergoldet min. 0.8µm ueber Ni
- 4 CONTACT AREA TAB MIN. 2.0µm SELECTIV SILVER Kontaktzone selectiv versilbert min. 2.0µm
- 5 DIFFERENT FORM OF THE SERRATIONS AND WIRE-CRIMP POSSIBLE unterschiedliche Ausfuehrung der Rillen und des Draht-Crimps moeglich
- 6 RELEASED WIRE. SEE APPLICATION SPEC. TE 114-18464 Freigegebene Leitung, siehe APPLICATION SPEC. TE 114-18464

PRODUCT CHARACTERISTICS ACC. QMP 1.12 BESONDERE MERKMALE NACH QMP 1.12	TOLERANCING ISO 8015 TOLERIERUNG ISO 8015	DWN R. Meier CHK U. Muenk	10MARD3 30JUL03
THIS DRAWING IS A CONTROLLED DOCUMENT. DIESER ZEICHNUNGSDRUCK IST EIN KONTROLLIERTES DOKUMENT. ANWENDEBARE ZEICHNUNGSDRUCKE SIND NUR MIT EINER GELTENDE ZUSAMMENGEHOERENDE ZEICHNUNGSDRUCKE ZU VERWENDEN.	APVD	NAME	PRODUCT GROUP DRAWING FOR TAB CONTACT 1.2 MM Produktgruppenzeichnung Flachstecker 1.2mm
DIMENSIONS: mm	TOLERANCES UNLESS OTHERWISE SPECIFIED:	PRODUCT SPEC	108-18782
PLC ±	±0.2mm	APPLICATION SPEC	114-18464
PLC ±	±*	WEIGHT	-
MATERIAL SEE TABLE siehe Tabelle	FINISH SEE TABLE siehe Tabelle	Customer Drawing	SCALE 10:1 SHEET 1 of 1 REV C12

Mouser Electronics

Authorized Distributor

Click to View Pricing, Inventory, Delivery & Lifecycle Information:

[TE Connectivity:](#)

[1418762-3](#)