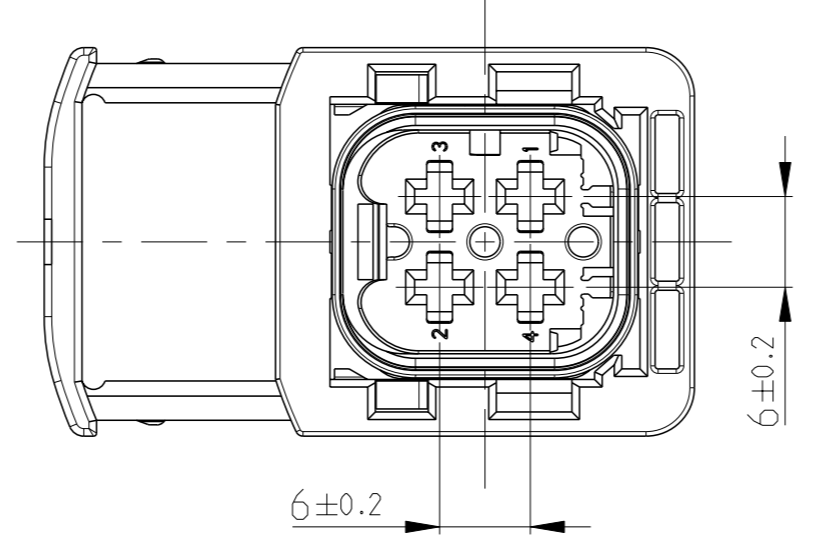
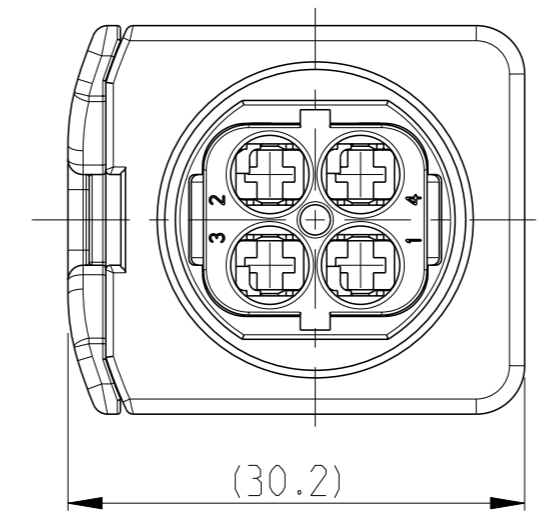


DELIVERY CONDITION:
Lieferzustand:

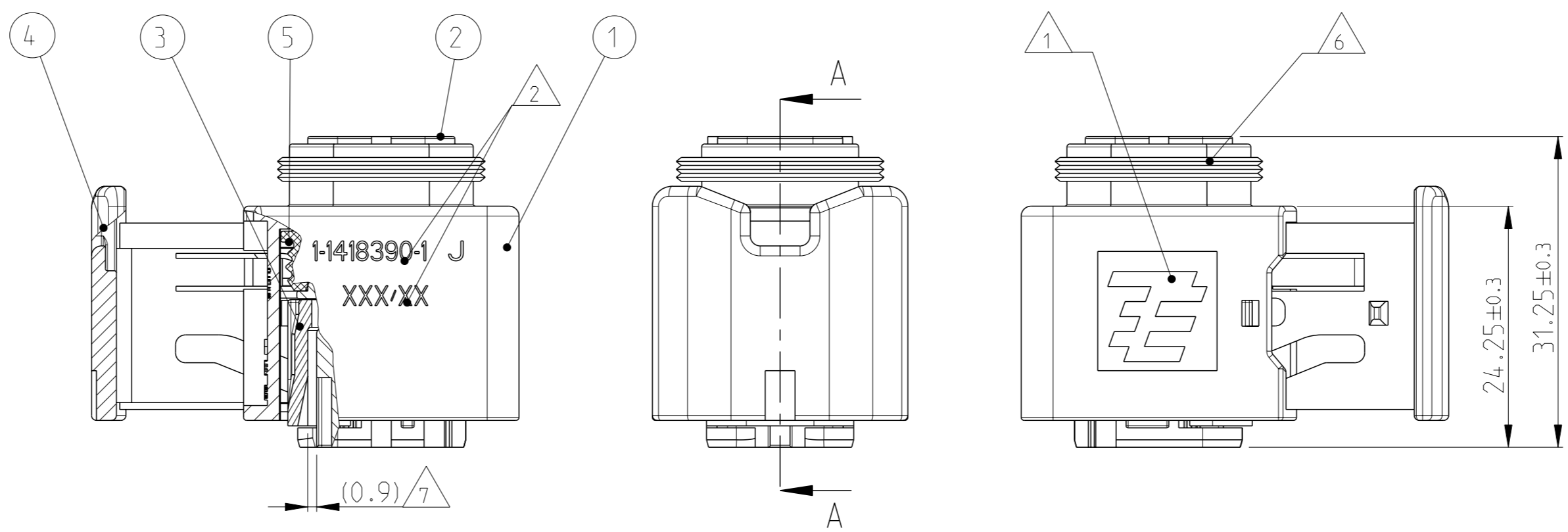
SECONDARY LOCKING AND SLIDE
IN PRE-LOCKED POSITION
2. Kontaktsicherung und Schieber
in Vorraststellung



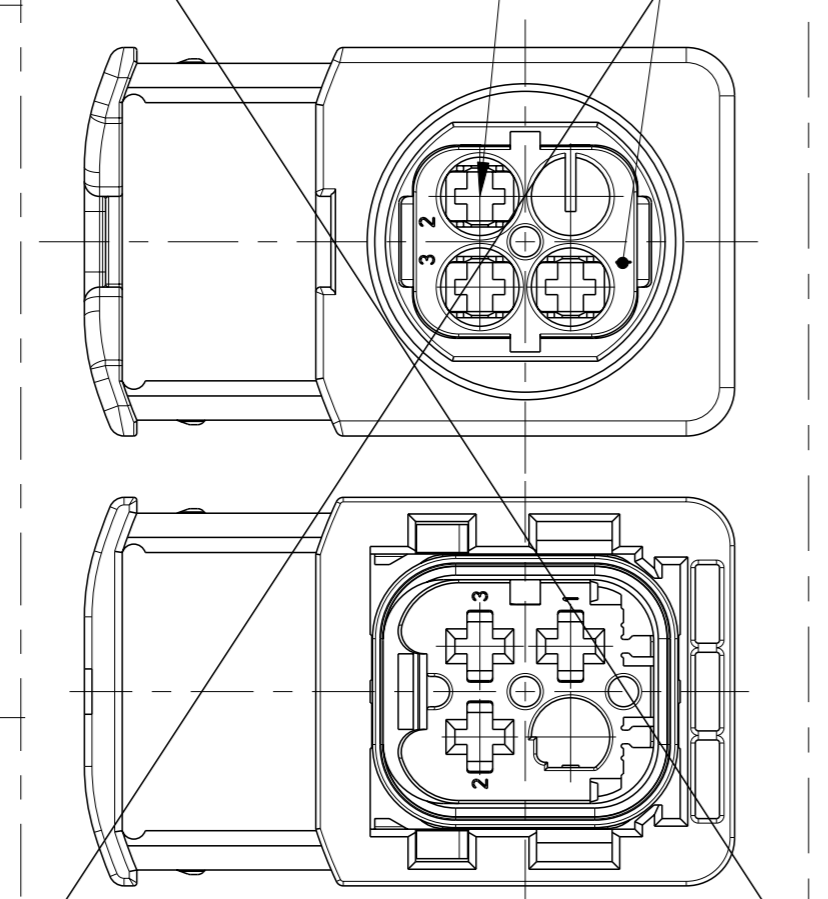
SLIDE IN LOCKED POSITION
Schieber in Verriegelungsposition



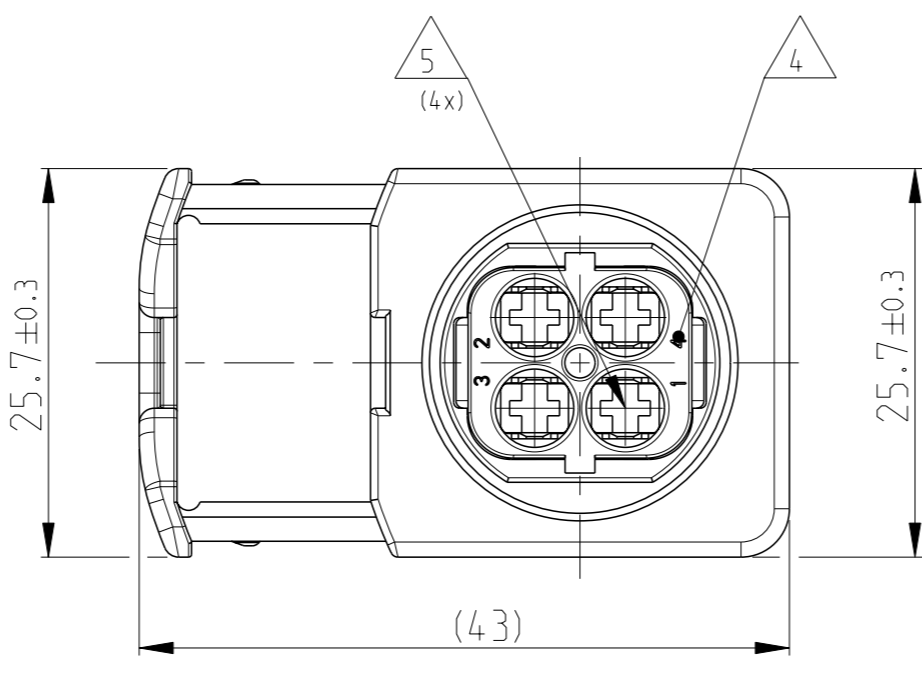
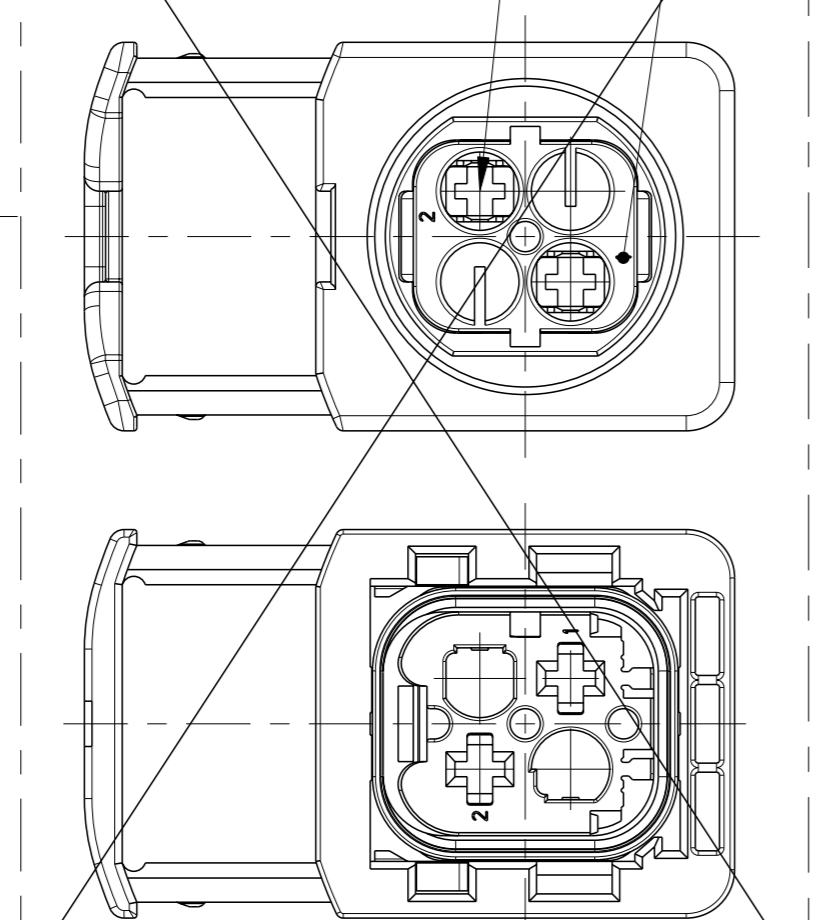
SECTION A-A
Schnitt



3POS. VERSION
3pol. Version
PN X-1418390-2



2POS. VERSION
2pol. Version
PN X-1418390-3

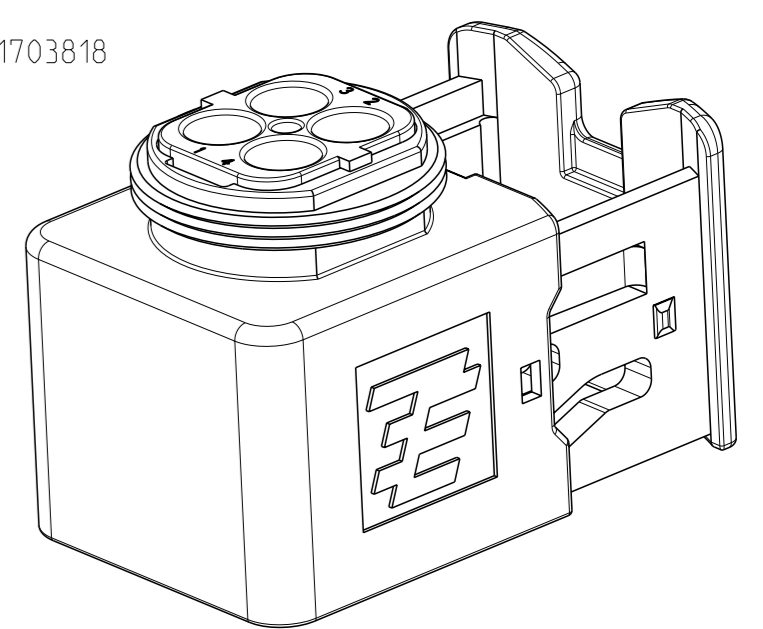


TE ORDER-NO. TE Bestell-Nr.	REV.	NO. OF POS. Polzahl	CODE Kodierung	COLOR OF CVITY BLOCK Farbe des Kammerblocks	QUANTITY Stueck	ITEM NO ASSY
4-1418390-3	G	2	D	BLUE blau	1	14
3-1418390-3	G	2	C	GREEN gruen	1	13
2-1418390-3	G	2	B	GREY grau	1	12
1-1418390-3	G	2	A	BLACK schwarz	1	11
4-1418390-2	G	3	D	BLUE blau	1	10
3-1418390-2	G	3	C	GREEN gruen	1	9
2-1418390-2	G	3	B	GREY grau	1	8
1-1418390-2	G	3	A	BLACK schwarz	1	7
6-1418390-1	J	4	F	RED rot	1	6
5-1418390-1	J	4	E	VIOLET violett	1	5
4-1418390-1	J	4	D	BLUE blau	1	4
3-1418390-1	J	4	C	GREEN gruen	1	3
2-1418390-1	J	4	B	GREY grau	1	2
1-1418390-1	J	4	A	BLACK schwarz	1	1

RECEPTACLE HOUSING Buchsengehäuse	BLACK schwarz	GREY grau	GREEN gruen	BLUE blau	VIOLET violett	RED rot	BLACK schwarz	GREY grau	GREEN gruen	BLUE blau	YELLOW gelb	WHITE weiss	ITEM NO
1 POS. CAVITY BLOCK, CODE "A", 1pol. Kammerblock, Kodierung "A"	1	2	2	2	2	2	2	2	2	2	2	2	1
2 POS. CAVITY BLOCK, CODE "B", 2pol. Kammerblock, Kodierung "B"	1	2	2	2	2	2	2	2	2	2	2	2	2
3 POS. CAVITY BLOCK, CODE "C", 3pol. Kammerblock, Kodierung "C"	1	2	2	2	2	2	2	2	2	2	2	2	3
4 POS. CAVITY BLOCK, CODE "D", 4pol. Kammerblock, Kodierung "D"	1	2	2	2	2	2	2	2	2	2	2	2	4
5 POS. CAVITY BLOCK, CODE "E", 5pol. Kammerblock, Kodierung "E"	1	2	2	2	2	2	2	2	2	2	2	2	5
6 POS. CAVITY BLOCK, CODE "F", 6pol. Kammerblock, Kodierung "F"	1	2	2	2	2	2	2	2	2	2	2	2	6
7 POS. CAVITY BLOCK, CODE "A", 7pol. Kammerblock, Kodierung "A"	1	2	2	2	2	2	2	2	2	2	2	2	7
8 POS. CAVITY BLOCK, CODE "B", 8pol. Kammerblock, Kodierung "B"	1	2	2	2	2	2	2	2	2	2	2	2	8
9 POS. CAVITY BLOCK, CODE "C", 9pol. Kammerblock, Kodierung "C"	1	2	2	2	2	2	2	2	2	2	2	2	9
10 POS. CAVITY BLOCK, CODE "D", 10pol. Kammerblock, Kodierung "D"	1	2	2	2	2	2	2	2	2	2	2	2	10
11 POS. CAVITY BLOCK, CODE "E", 11pol. Kammerblock, Kodierung "E"	1	2	2	2	2	2	2	2	2	2	2	2	11
12 POS. CAVITY BLOCK, CODE "F", 12pol. Kammerblock, Kodierung "F"	1	2	2	2	2	2	2	2	2	2	2	2	12
13 POS. CAVITY BLOCK, CODE "A", 13pol. Kammerblock, Kodierung "A"	1	2	2	2	2	2	2	2	2	2	2	2	13
14 POS. CAVITY BLOCK, CODE "B", 14pol. Kammerblock, Kodierung "B"	1	2	2	2	2	2	2	2	2	2	2	2	14

NOTES
Bemerkungen

- TE LOGO
TE Logo
- ASSY PN, PRODUCTION DATE (CALENDAR DAY/YEAR);
MARKING OPTIONAL AS LASER ENGRAVING OR
LASER WITH COLOR CHANGE
Assy PN, Produktionsdatum (Kalendertag/Jahr);
Beschriftung wahlweise als Lasergravur oder Laser mit Farbumschlag
- BULK PACKAGING IN CORRUGATED BOX
Schuetztgut im Versandkarton
- CAVITY NUMBERING
Kammer Bezeichnung
- CAVITIES MATED WITH AMP MCP 2.8
SEE PRODUCT GROUP DRAWING
TE NO: 1355036
MAX. WIRE SIZE: 2.5mm² (AWG 12 TXL)
Kontaktkammern passend fuer AMP MCP 2.8
siehe Produktgruppenzeichnung
TE Nr.: 1355036
max. Drahtgroessenbereich: 2.5mm² (AWG 12 TXL)
- SUITABLE COVERS SEE PRODUCT GROUP DRAWING: 1563709
Passende Kappen siehe Produktgruppenzeichnung: 1563709
- SLIDING DISTANCE OF SECONDARY LOCKING
Verschiebeweg der 2. Kontaktsicherung
- FITS TO TE INTERFACE DRAWING 114-18739-1
Passend zur Ausfuhrungsvorschrift 114-18739-1
- SUITABLE COUNTERPART SEE DRAWING: 1703808, 1703818
passendes Gegenstueck siehe Zeichnung: 1703808, 1703818
- MALFUNCTION CAUSED BY LACQUER IS NOT
COVERED BY TE WARRANTY.
Funktionsbeeintraehtigung durch Lackieren liegt nicht im
Einfluss und Gewaehrleistungsumfang von TE.



1-1418390-1 AS SHOWN
1-1418390-1 wie gezeigt

THIS DRAWING IS A CONTROLLED DOCUMENT. OTHER DIMENSIONS AND DATA ARE INCORPORATED INTO THIS DRAWING. APPROVALS OF THE DRAWING ARE THE RESPONSIBILITY OF THE DRAWING ENGINEER. SEE REVISED DRAWING FOR ANY CHANGES.

OWN: D. Bischoff 12APR2006
CHK: J. Grandzow 25APR2006
APVD: E. Eberwein 28AUG2006

TE Connectivity

NAME: 4pos. AMP MCP 2.8. REC HSG ASSY
4pos. AMP MCP 2.8. Buchsengehäuse
HDSCS - GROUP B

SIZE: A1
SCALE: 2:1
SHEET: 1 OF 1
REV: J4

WEIGHT: 16.7 g
CUSTOMER DRAWING

Mouser Electronics

Authorized Distributor

Click to View Pricing, Inventory, Delivery & Lifecycle Information:

[TE Connectivity:](#)

[3-1418390-1](#)