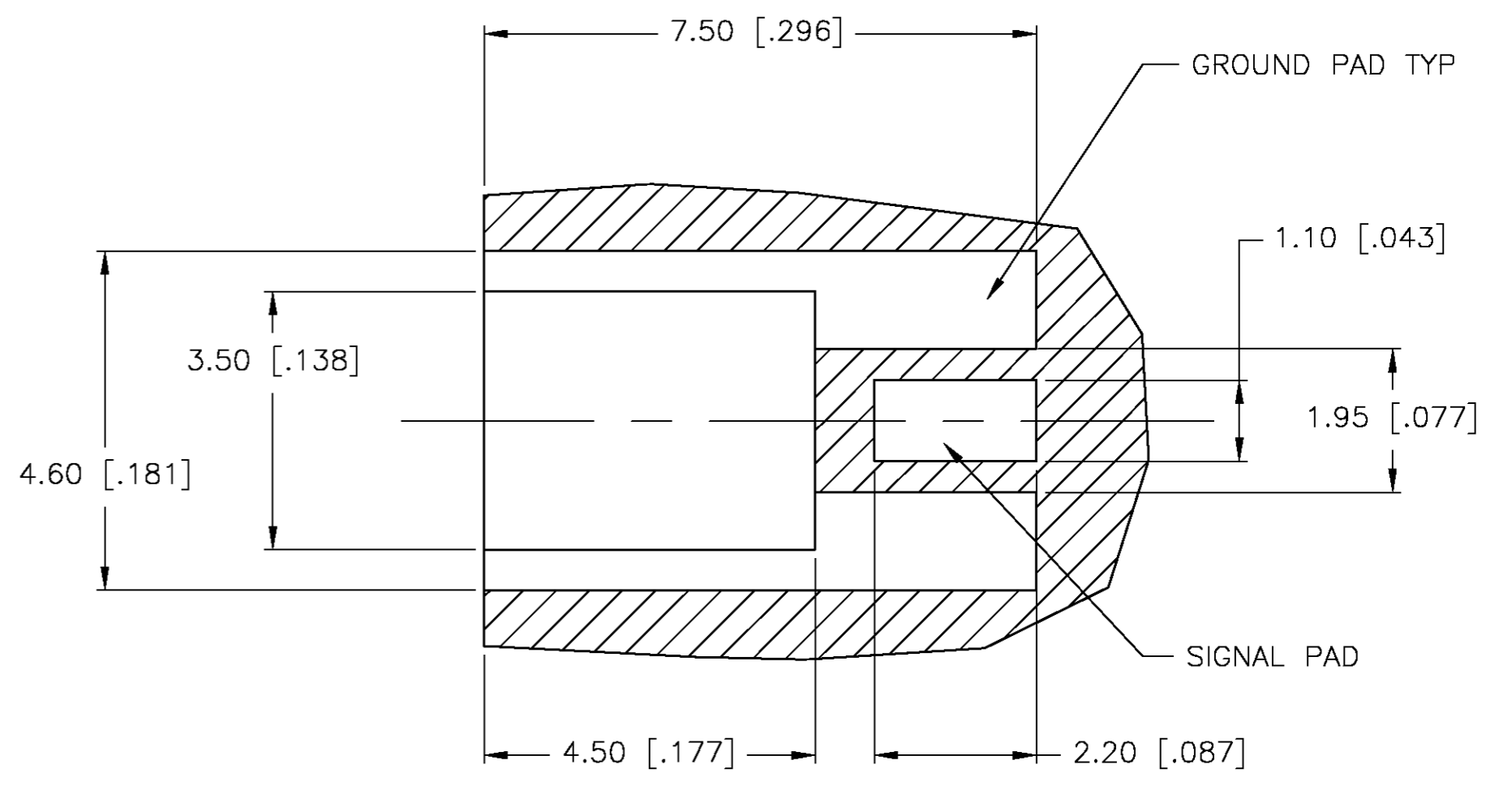
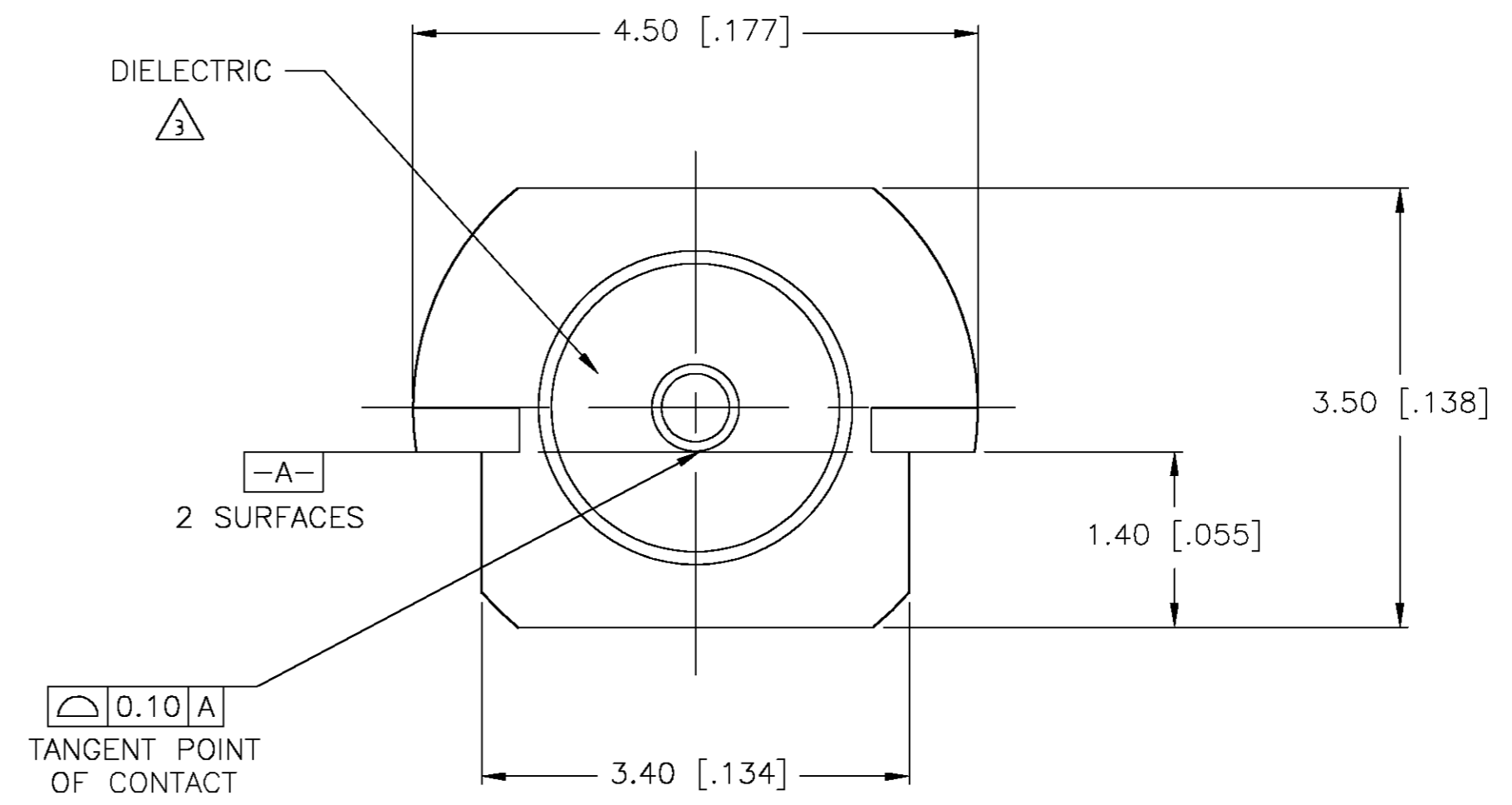
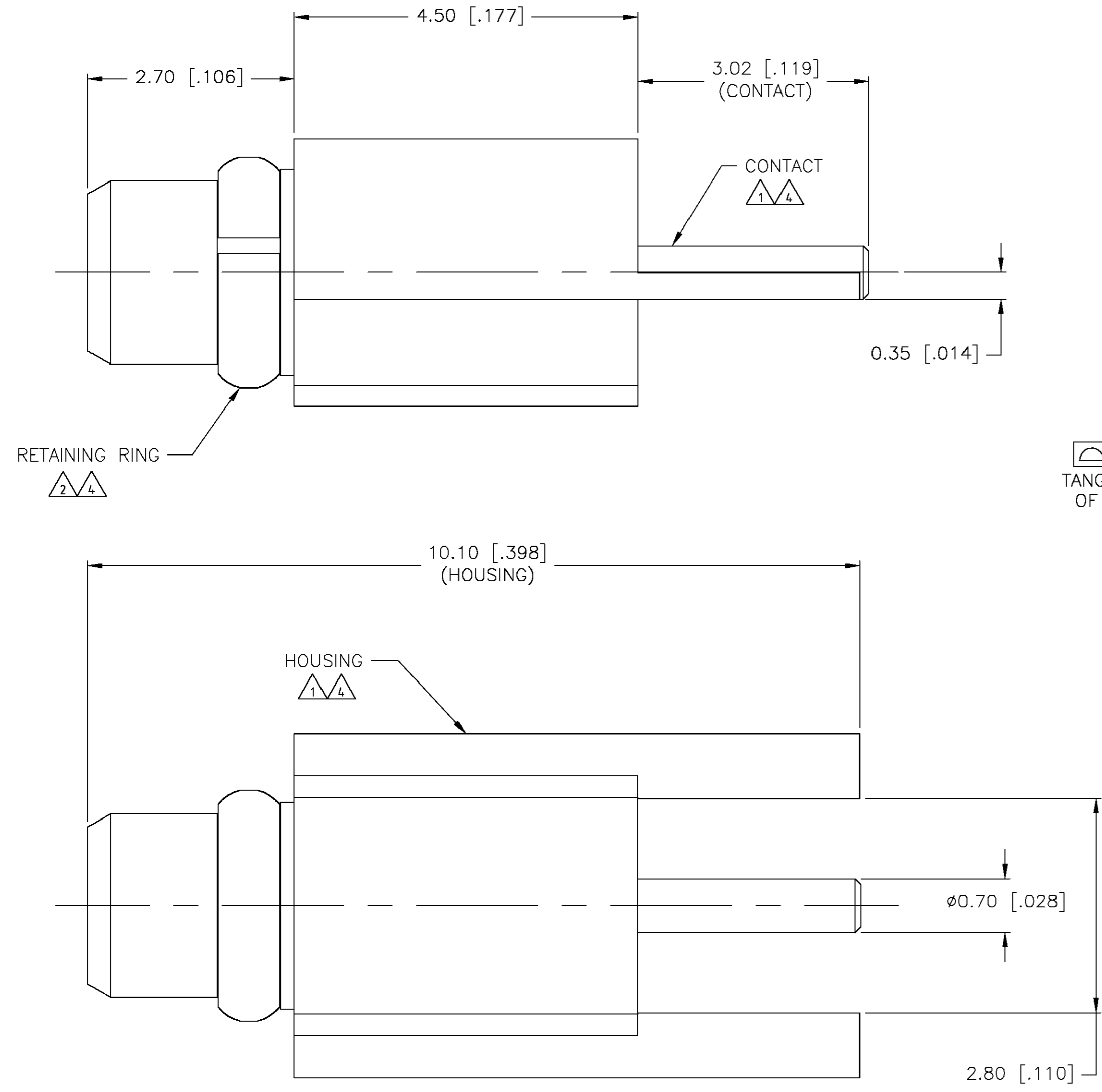


THIS DRAWING IS UNPUBLISHED. RELEASED FOR PUBLICATION
 © COPYRIGHT BY TYCO ELECTRONICS CORPORATION. ALL RIGHTS RESERVED.

Loc		DIST		REVISIONS			
P	LTR	DESCRIPTION	DATE	DWN	APVD		
AJ	-	B	REV PER 0514-0018-03	27JAN03	KW	KW	



- △1 BRASS PER ASTM-B-16
- △2 BERYLLIUM COPPER PER ASTM-B-196
- △3 PTFE PER ASTM-D-1710
- △4 GOLD PLATE PER MIL-G-45204

1408120-1
 PART NUMBER

THIS DRAWING IS A CONTROLLED DOCUMENT.		DWN	17DEC2001	Tyco Electronics Corporation	
DIMENSIONS: MM [INCHES]		CHK	02NOV00	Middletown, PA 17057	
TOLERANCES UNLESS OTHERWISE SPECIFIED:		APVD	02NOV00	NAME	
0 PLC ± -		PRODUCT SPEC	108-2084	MMCX EDGE LAUNCH PCB PLUG	
1 PLC ± 0.26 [.010]		APPLICATION SPEC	-	SIZE	CAGE CODE
2 PLC ± 0.13 [.005]		FINISH	-	A2	00779
3 PLC ± -		MATERIAL	0.20G/.007 OZ	SCALE	20:1
4 PLC ± -		WEIGHT	0.20G/.007 OZ	SHEET	1 OF 1
ANGLES ± 1		CUSTOMER DRAWING	RESTRICTED TO	REV	B

Mouser Electronics

Authorized Distributor

Click to View Pricing, Inventory, Delivery & Lifecycle Information:

[TE Connectivity:](#)

[1408120-1](#)