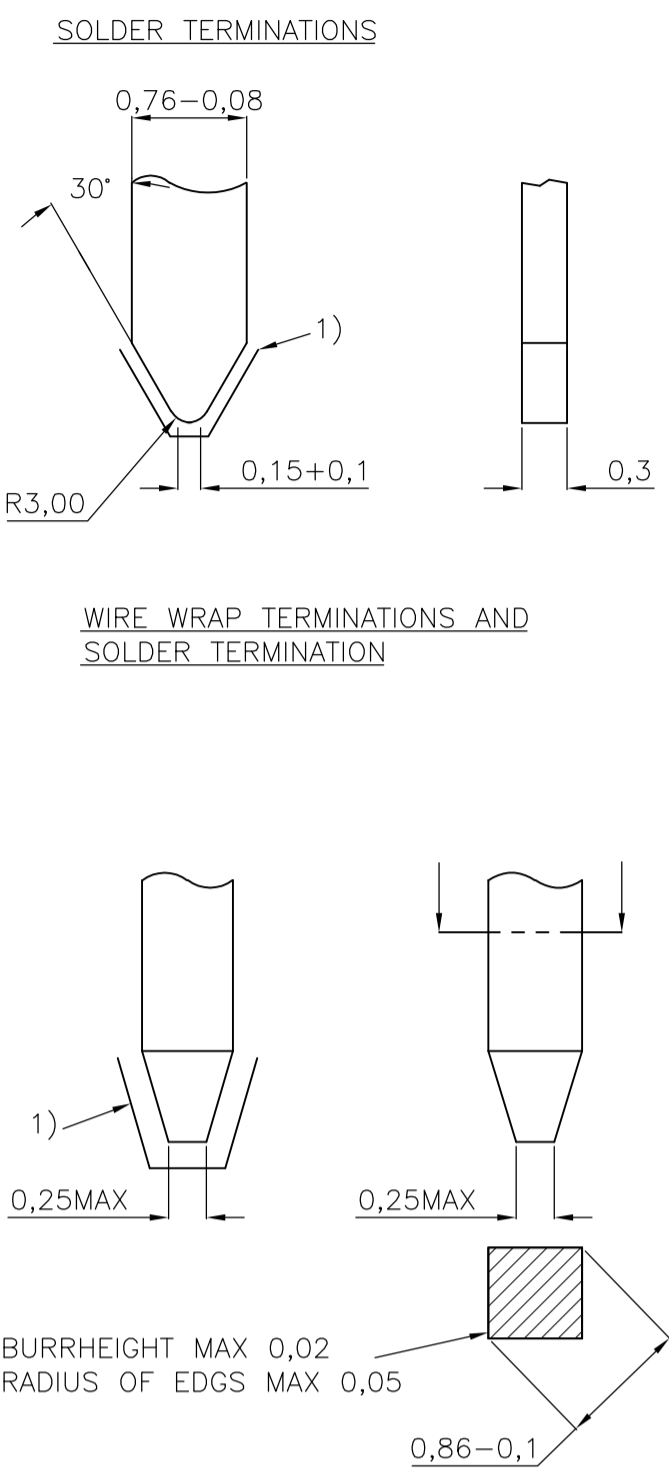
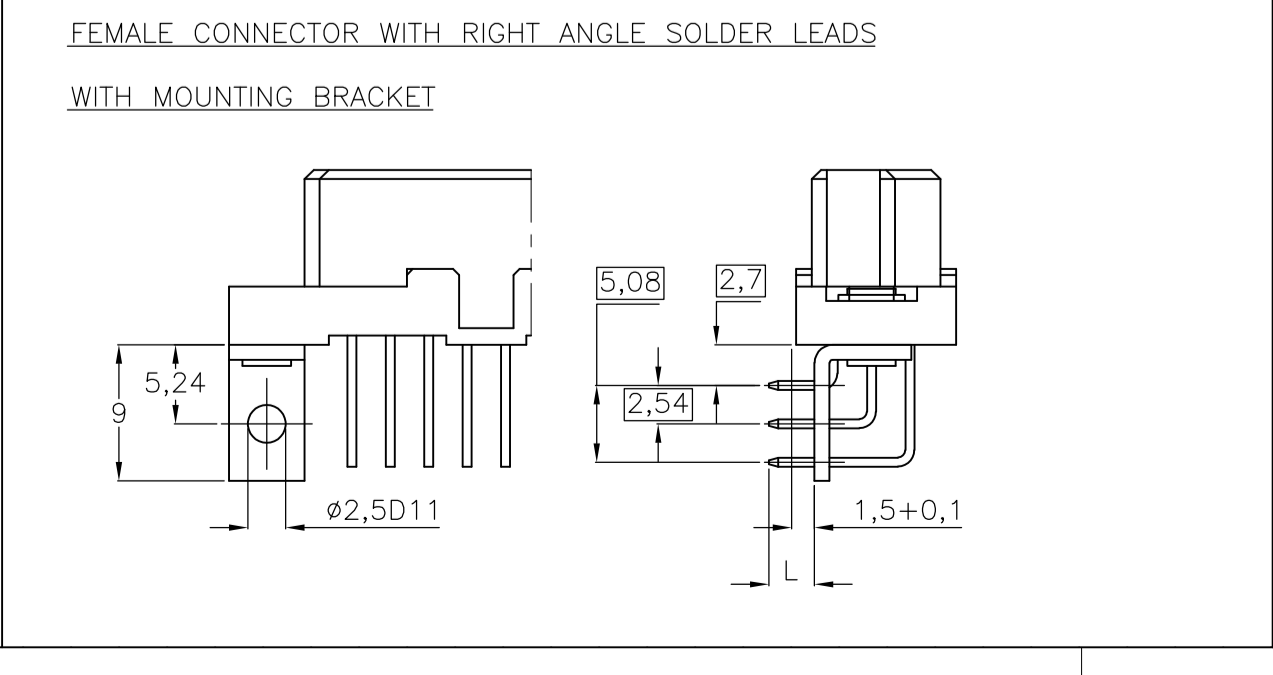
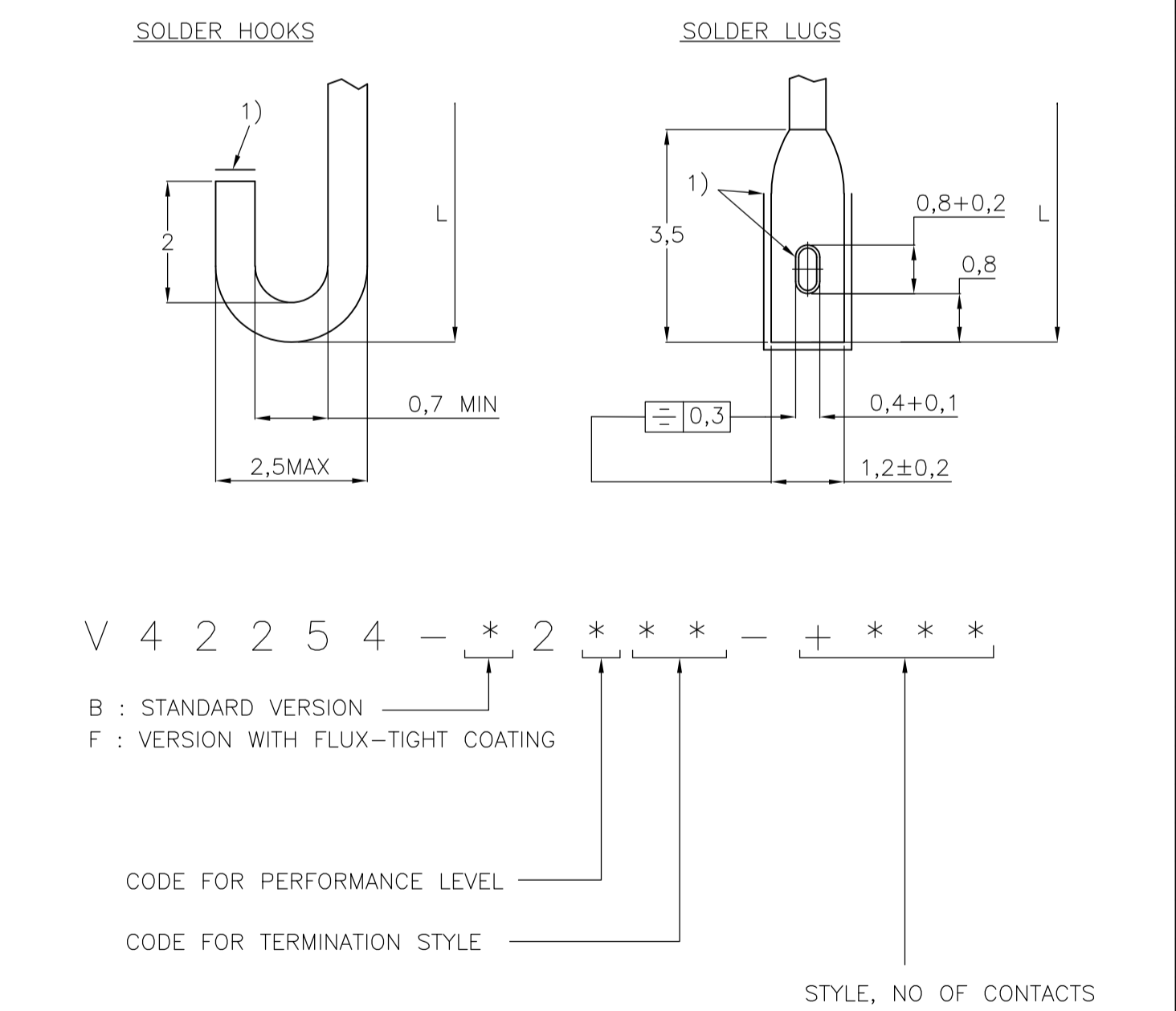
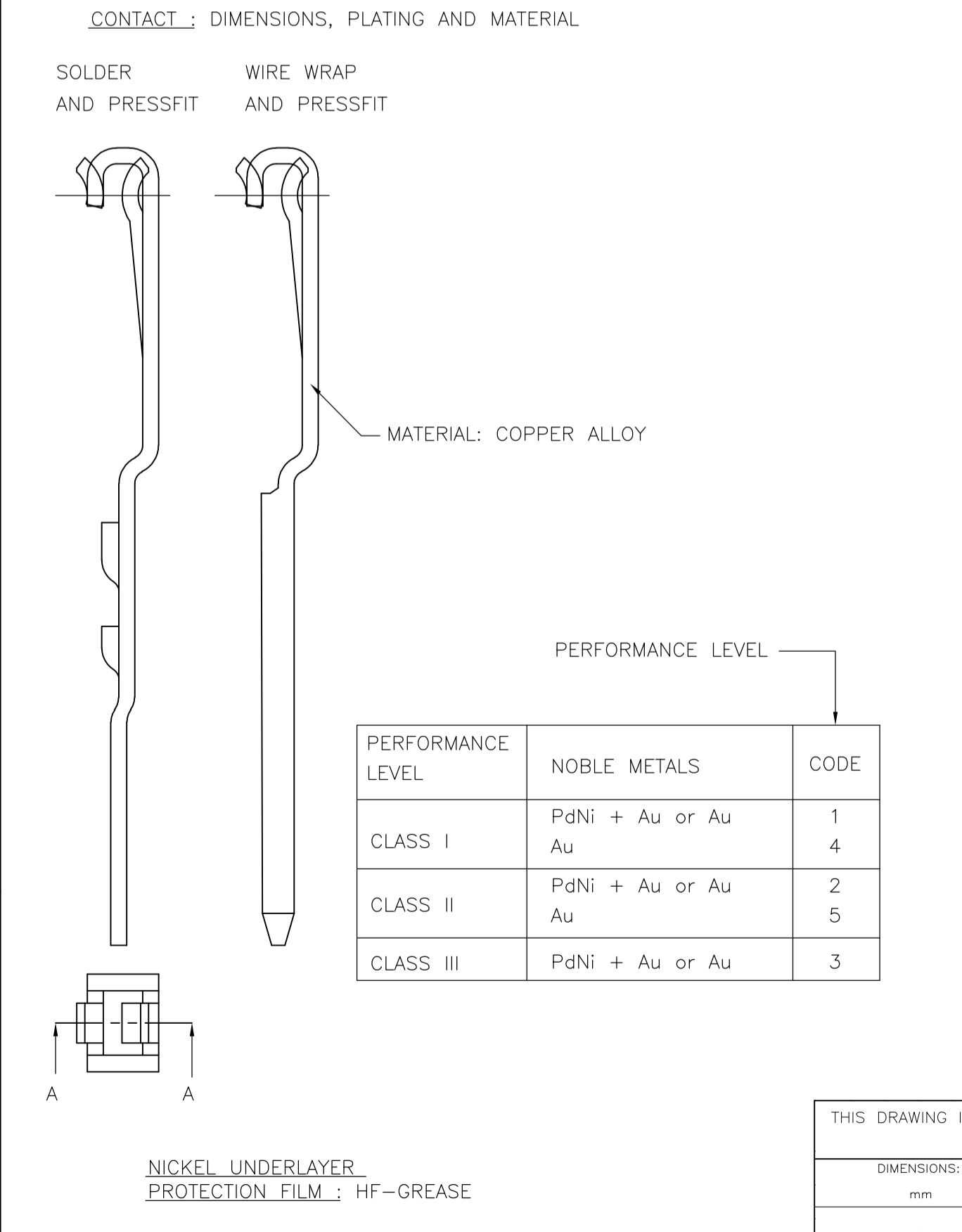
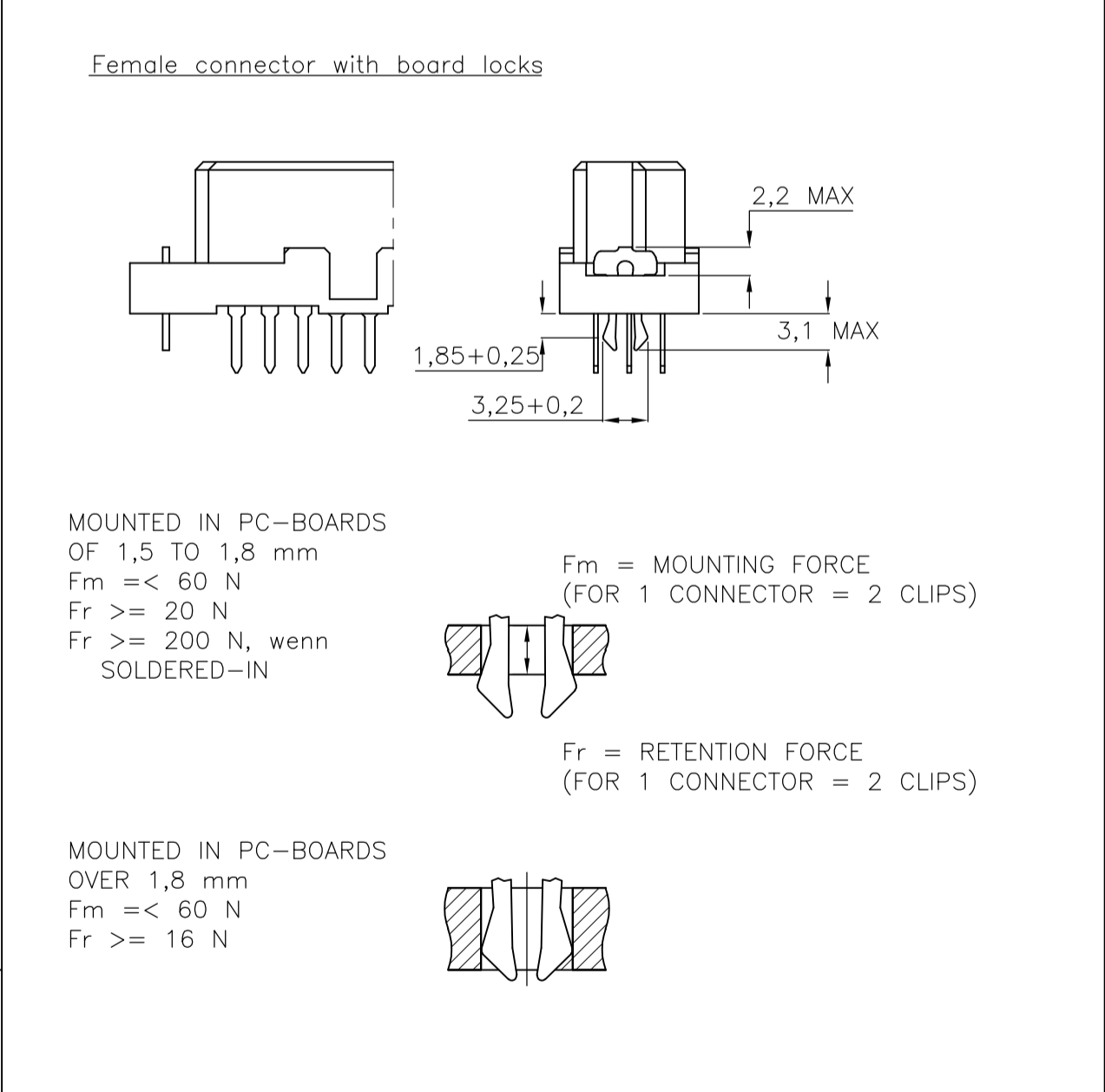


REVISONS		DATE	DN	APVD
F	LTR	DESCRIPTION		
B11	REV PER	ECO-12-006572	14JAN2013	BC RP



TERMINATION STYLES		L	CODE
SOLDER	SOLDER	2,9±0,3	01
		3,7±0,3	05
		4,5±0,3	02
SOLDER	SOLDER	6±0,3	03
		7,3±0,3	04
WIRE WRAP	WIRE WRAP	13±0,5	40
SOLDER	SOLDER	5,5±0,3	30
		10±0,5	30
SOLDER	SOLDER	5,5±0,3	35
		10±0,5	35
SOLDER	SOLDER	1,55-0,4	00
		3-0,4	10
SOLDER	SOLDER	13±0,5	60
		17±0,5	61
		4±0,5	63
		13±0,5	66
		17±0,5	67
		6±0,5	69
		6±0,5	70



THIS DRAWING IS A CONTROLLED DOCUMENT.

DIMENSIONS: mm	TOLERANCES UNLESS OTHERWISE SPECIFIED:	DIN CUVIELIER 14FEB89	TE Connectivity
0 PLC ± -	1 PLC ± -	APVD -	RECEPTACLE ASSEMBLY EUROCARD TYPES B,C AND SHORT VERSIONS (PN:V42254-B2***-C***-7626)
2 PLC ± -	3 PLC ± -	PRODUCT SPEC -	SIZE A1
4 PLC ± -	ANGLES ± -	APPLICATION SPEC -	CAGE CODE DRAWING NO 00779
MATERIAL -	FINISH -	WEIGHT -	RESTRICTED TO 1393640-1
CUSTOMER DRAWING		SCALE NTS	SHEET 1 OF 2 REV B11

LOC	DIST	REVISIONS					
AD	00	F	LTR	DESCRIPTION	DATE	DWN	APVO
-	-	-	-	SEE SHEET 1	-	-	-

PRODUCT DESCRIPTION CODE	TE PN	STYLE & NUMBER OF POSITIONS	TERMINATION POSTS	LOADED ROWS	PERFORMANCE LEVEL	BOARD LOCKS
V42254-B2202-C300	2-1393641-0	C30	4,5mm STRAIGHT SOLDER LEADS	EVERY ROW , EVERY PITCH	2	NO
V42254-B2202-C303	2-1393641-1	C30	4,5mm STRAIGHT SOLDER LEADS	ROW A+C , EVERY PITCH	2	NO
V42254-B2202-C310	2-1393641-2	C30	4,5mm STRAIGHT SOLDER LEADS	EVERY ROW , EVERY PITCH	2	YES
V42254-B2202-C410	2-1393641-3	C48	4,5mm STRAIGHT SOLDER LEADS	EVERY ROW , EVERY PITCH	2	YES
V42254-B2202-C413	2-1393641-4	C48	4,5mm STRAIGHT SOLDER LEADS	ROW A+C , EVERY PITCH	2	YES
V42254-B2202-C480	2-1393641-5	C48	4,5mm STRAIGHT SOLDER LEADS	EVERY ROW , EVERY PITCH	2	NO
V42254-B2202-C483	2-1393641-6	C48	4,5mm STRAIGHT SOLDER LEADS	ROW A+C , EVERY PITCH	2	NO
V42254-B2202-C910	2-1393641-7	C96	4,5mm STRAIGHT SOLDER LEADS	EVERY ROW , EVERY PITCH	2	YES
V42254-B2202-C913	2-1393641-8	C96	4,5mm STRAIGHT SOLDER LEADS	ROW A+C , EVERY PITCH	2	YES
V42254-B2202-C918	3-1393641-0	C96	4,5mm STRAIGHT SOLDER LEADS	ROW A+C , EVERY EVEN PITCH	2	NO
V42254-B2202-C960	3-1393641-1	C96	4,5mm STRAIGHT SOLDER LEADS	EVERY ROW , EVERY PITCH	2	NO
V42254-B2202-C960B	3-1393641-2	C96	4,5mm STRAIGHT SOLDER LEADS	EVERY ROW , EVERY PITCH	2	NO
V42254-B2202-C960N	3-1393641-3	C96	4,5mm STRAIGHT SOLDER LEADS	EVERY ROW , EVERY PITCH	2	NO
V42254-B2202-C963	3-1393641-5	C96	4,5mm STRAIGHT SOLDER LEADS	ROW A+C , EVERY PITCH	2	NO
V42254-B2202-C963B	3-1393641-6	C96	4,5mm STRAIGHT SOLDER LEADS	ROW A+C , EVERY PITCH	2	NO
V42254-B2202-C963N	3-1393641-7	C96	4,5mm STRAIGHT SOLDER LEADS	ROW A+C , EVERY PITCH	2	NO
V42254-B2202-C965	3-1393641-8	C96	4,5mm STRAIGHT SOLDER LEADS	EVERY ROW , EVERY EVEN PITCH	2	NO
V42254-B2202-C968	3-1393641-9	C96	4,5mm STRAIGHT SOLDER LEADS	ROW A+C , EVERY EVEN PITCH	2	NO
V42254-B2202-C968N	4-1393641-0	C96	4,5mm STRAIGHT SOLDER LEADS	ROW A+C , EVERY EVEN PITCH	2	NO
V42254-B2204-B640	6-1393641-7	B64	7,3mm STRAIGHT SOLDER LEADS	EVERY ROW , EVERY PITCH	2	NO
V42254-B2204-C960	6-1393641-8	C96	7,3mm STRAIGHT SOLDER LEADS	EVERY ROW , EVERY PITCH	2	NO
V42254-B2204-C963	6-1393641-9	C96	7,3mm STRAIGHT SOLDER LEADS	ROW A+C , EVERY PITCH	2	NO
V42254-B2205-C960	7-1393641-0	C96	7,3mm STRAIGHT SOLDER LEADS	EVERY ROW , EVERY PITCH	2	NO
V42254-B2210-B320	7-1393641-2	B32	RIGHT-ANGLE SOLDER LEADS WITH MOUNTING BRACKET	EVERY ROW , EVERY PITCH	2	NO
V42254-B2210-B640	7-1393641-3	B64	RIGHT-ANGLE SOLDER LEADS WITH MOUNTING BRACKET	EVERY ROW , EVERY PITCH	2	NO
V42254-B2210-C480	7-1393641-5	C48	RIGHT-ANGLE SOLDER LEADS WITH MOUNTING BRACKET	EVERY ROW , EVERY PITCH	2	NO
V42254-B2210-C483	7-1393641-6	C48	RIGHT-ANGLE SOLDER LEADS WITH MOUNTING BRACKET	ROW A+C , EVERY PITCH	2	NO
V42254-B2210-C960	7-1393641-7	C96	RIGHT-ANGLE SOLDER LEADS WITH MOUNTING BRACKET	EVERY ROW , EVERY PITCH	2	NO
V42254-B2210-C963	7-1393641-8	C96	RIGHT-ANGLE SOLDER LEADS WITH MOUNTING BRACKET	ROW A+C , EVERY PITCH	2	NO
V42254-B2210-C968	7-1393641-9	C96	RIGHT-ANGLE SOLDER LEADS WITH MOUNTING BRACKET	ROW A+C , EVERY EVEN PITCH	2	NO
V42254-B2230-C960	8-1393641-5	C96	5,5 10mm SOLDER HOOKS	EVERY ROW , EVERY PITCH	2	NO
V42254-B2230-C963	8-1393641-6	C96	5,5 10mm SOLDER HOOKS	ROW A+C , EVERY PITCH	2	NO
V42254-B2235-B640	8-1393641-8	B64	5,5 10mm SOLDER LUGS	EVERY ROW , EVERY PITCH	2	NO
V42254-B2235-C480	9-1393641-0	C48	5,5 10mm SOLDER LUGS	EVERY ROW , EVERY PITCH	2	NO
V42254-B2235-C483	9-1393641-1	C48	5,5 10mm SOLDER LUGS	ROW A+C , EVERY PITCH	2	NO
V42254-B2235-C488	9-1393641-2	C48	5,5 10mm SOLDER LUGS	ROW A+C , EVERY EVEN PITCH	2	NO
V42254-B2235-C960	9-1393641-3	C96	5,5 10mm SOLDER LUGS	EVERY ROW , EVERY PITCH	2	NO
V42254-B2235-C963	9-1393641-4	C96	5,5 10mm SOLDER LUGS	ROW A+C , EVERY PITCH	2	NO
V42254-B2235-C965	9-1393641-5	C96	5,5 10mm SOLDER LUGS	EVERY ROW , EVERY EVEN PITCH	2	NO
V42254-B2235-C968	9-1393641-6	C96	5,5 10mm SOLDER LUGS	ROW A+C , EVERY EVEN PITCH	2	NO
V42254-B2240-B200	1393642-1	B20	13mm STRAIGHT WIRE-WRAP PINS	EVERY ROW , EVERY PITCH	2	NO
V42254-B2240-B320	1393642-2	B32	13mm STRAIGHT WIRE-WRAP PINS	EVERY ROW , EVERY PITCH	2	NO
V42254-B2240-B640	1393642-3	B64	13mm STRAIGHT WIRE-WRAP PINS	EVERY ROW , EVERY PITCH	2	NO
V42254-B2240-B640N	1393642-4	B64	13mm STRAIGHT WIRE-WRAP PINS	EVERY ROW , EVERY PITCH	2	NO
V42254-B2240-C300	1393642-7	C30	13mm STRAIGHT WIRE-WRAP PINS	EVERY ROW , EVERY PITCH	2	NO
V42254-B2240-C303	1393642-8	C30	13mm STRAIGHT WIRE-WRAP PINS	ROW A+C , EVERY PITCH	2	NO
V42254-B2240-C480	1393642-9	C48	13mm STRAIGHT WIRE-WRAP PINS	EVERY ROW , EVERY PITCH	2	NO
V42254-B2240-C483	1-1393642-0	C48	13mm STRAIGHT WIRE-WRAP PINS	ROW A+C , EVERY PITCH	2	NO
V42254-B2240-C960	1-1393642-1	C96	13mm STRAIGHT WIRE-WRAP PINS	EVERY ROW , EVERY PITCH	2	NO
V42254-B2240-C960B	1-1393642-2	C96	13mm STRAIGHT WIRE-WRAP PINS	EVERY ROW , EVERY PITCH	2	NO
V42254-B2240-C960N	1-1393642-3	C96	13mm STRAIGHT WIRE-WRAP PINS	EVERY ROW , EVERY PITCH	2	NO
V42254-B2240-C961B	1-1393642-4	C96	13mm STRAIGHT WIRE-WRAP PINS	ROW A , EVERY PITCH	2	NO
V42254-B2240-C962	1-1393642-5	C96	13mm STRAIGHT WIRE-WRAP PINS	ROW A+B , EVERY PITCH	2	NO
V42254-B2240-C963	1-1393642-6	C96	13mm STRAIGHT WIRE-WRAP PINS	ROW A+C , EVERY PITCH	2	NO
V42254-B2240-C963N	1-1393642-7	C96	13mm STRAIGHT WIRE-WRAP PINS	ROW A+C , EVERY PITCH	2	NO
V42254-B2240-C965	1-1393642-8	C96	13mm STRAIGHT WIRE-WRAP PINS	EVERY ROW , EVERY EVEN PITCH	2	NO
V42254-B2240-C968	1-1393642-9	C96	13mm STRAIGHT WIRE-WRAP PINS	ROW A+C , EVERY EVEN PITCH	2	NO
V42254-B2240-C968N	2-1393642-1	C96	13mm STRAIGHT WIRE-WRAP PINS	ROW A+C , EVERY EVEN PITCH	2	NO
V42254-B2302-B640	6-1393642-6	B64	4,5mm STRAIGHT SOLDER LEADS	EVERY ROW , EVERY PITCH	3	NO
V42254-B2302-C913	6-1393642-7	C96	4,5mm STRAIGHT SOLDER LEADS	ROW A+C , EVERY PITCH	3	YES
V42254-B2302-C960	6-1393642-8	C96	4,5mm STRAIGHT SOLDER LEADS	EVERY ROW , EVERY PITCH	3	NO
V42254-B2302-C963	6-1393642-9	C96	4,5mm STRAIGHT SOLDER LEADS	ROW A+C , EVERY PITCH	3	NO
V42254-F2101-C480	8-1393642-9	C48	2,9mm STRAIGHT SOLDER LEADS	EVERY ROW , EVERY PITCH	1	NO
V42254-F2102-B640	9-1393642-0	B64	4,5mm STRAIGHT SOLDER LEADS	EVERY ROW , EVERY PITCH	1	NO
V42254-F2201-C310	9-1393642-1	C30	2,9mm STRAIGHT SOLDER LEADS	EVERY ROW , EVERY PITCH	2	YES
V42254-F2201-C480	9-1393642-3	C48	2,9mm STRAIGHT SOLDER LEADS	EVERY ROW , EVERY PITCH	2	NO
V42254-F2201-C910	9-1393642-4	C96	2,9mm STRAIGHT SOLDER LEADS	EVERY ROW , EVERY PITCH	2	YES
V42254-F2201-C913	9-1393642-5	C96	2,9mm STRAIGHT SOLDER LEADS	ROW A+C , EVERY PITCH	2	YES
V42254-F2201-C960	9-1393642-6	C96	2,9mm STRAIGHT SOLDER LEADS	EVERY ROW , EVERY PITCH	2	NO
V42254-F2201-C963	9-1393642-7	C96	2,9mm STRAIGHT SOLDER LEADS	ROW A+C , EVERY PITCH	2	NO
V42254-F2202-C480	9-1393642-8	C48	4,5mm STRAIGHT SOLDER LEADS	EVERY ROW , EVERY PITCH	2	NO
V42254-F2202-C960	9-1393642-9	C96	4,5mm STRAIGHT SOLDER LEADS	EVERY ROW , EVERY PITCH	2	NO
V42254-F2202-C965	0-1393643-1	C96	4,5mm STRAIGHT SOLDER LEADS	EVERY ROW , EVERY EVEN PITCH	2	NO
V42254-F2205-B640	0-1393643-2	B64	3,7mm STRAIGHT SOLDER LEADS	EVERY ROW , EVERY PITCH	2	NO

3) ACCORDING TO BT 236 LEVEL 2.
 2) CONNECTORS HAVE A FLUX-TIGHT COATING.
 1) NO COMPANY NAME MARKED ON THE CONNECTOR.

ACTIVE PART NUMBERS.
 CONTACT TE FOR OTHER CONFIGURATION AVAILABILITY

THIS DRAWING IS A CONTROLLED DOCUMENT.

STE TE Connectivity

RECEPTACLE ASSEMBLY EUROCARD
 TYPES B,C AND SHORT VERSIONS
 (PN:V42254-B2***-C***-*-7626)

00779 1393640-1

CUSTOMER DRAWING

Mouser Electronics

Authorized Distributor

Click to View Pricing, Inventory, Delivery & Lifecycle Information:

[TE Connectivity:](#)

[1-1393640-0](#)