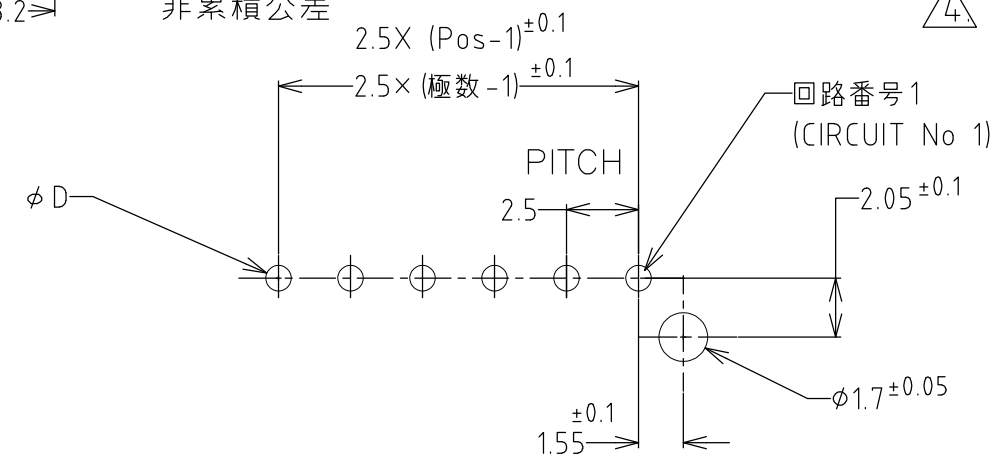
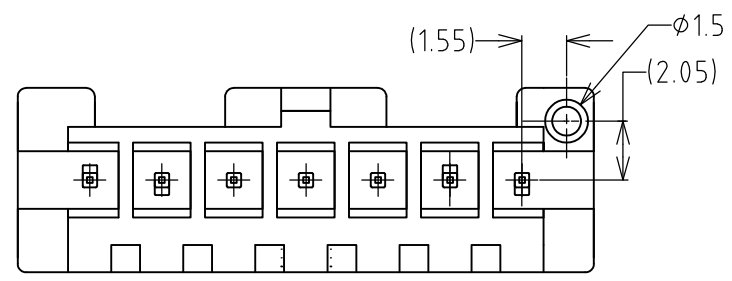
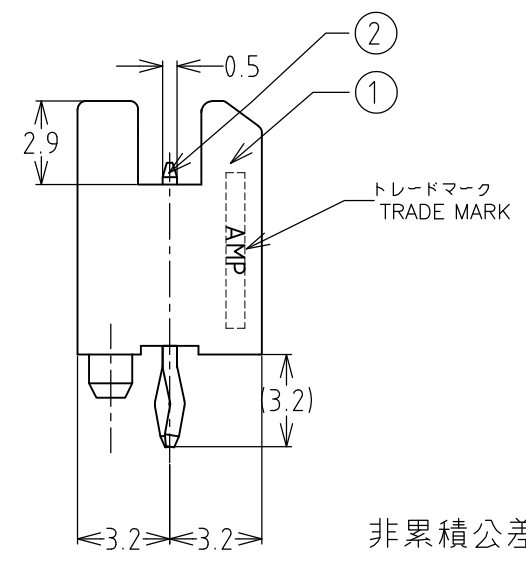
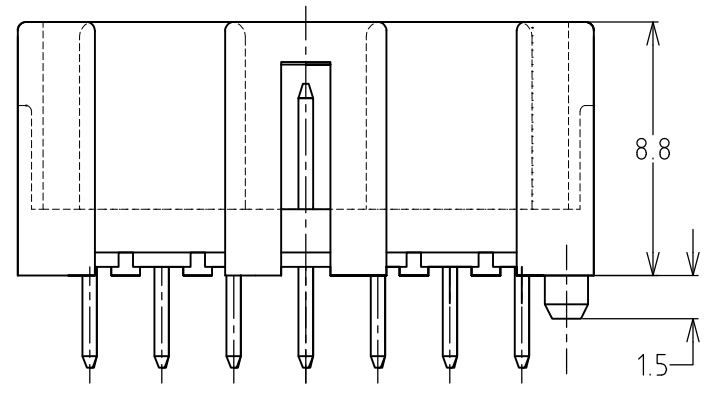
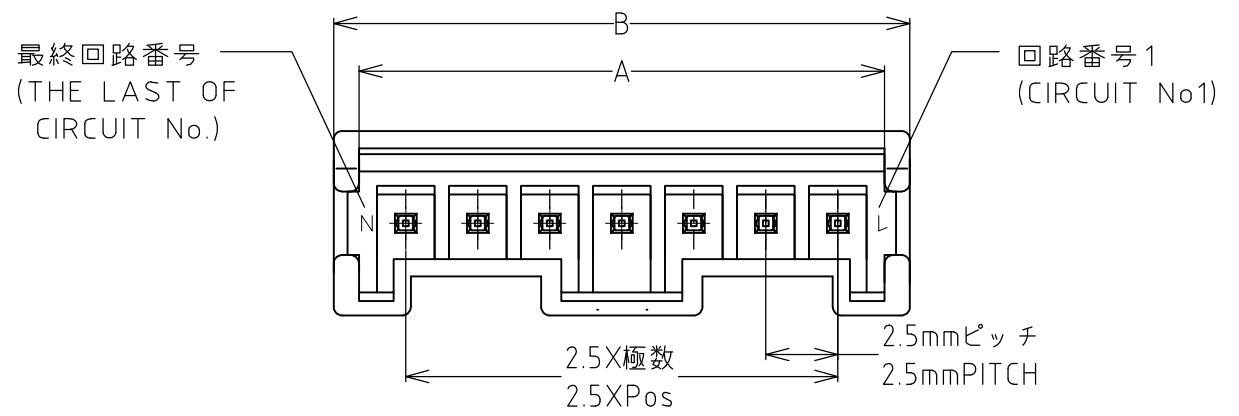


THIS DRAWING IS UNPUBLISHED. RELEASED FOR PUBLICATION
 © COPYRIGHT BY TYCO ELECTRONICS CORPORATION. ALL RIGHTS RESERVED.

LOC	DIST	REVISIONS					
J	—	P	LTR	DESCRIPTION	DATE	DWN	APVD
			E	RELEASED FJ00-1013-00	20SEP01	N.Y	M.S
			A	変更 (REVISED) FJ00-1347-01	03SEP01	N.Y	M.S
			B	変更 (REVISED) FJ00-1394-02	08JUL02	N.Y	M.S
			C	変更 (REVISED) FJ00-0163-03	01MAR03	N.Y	M.S
			D	変更 (REVISED) FJD0-0104-03	16APR03	N.Y	M.S
			E	変更 (REVISED) FJD0-0292-04	16AUG04	A.H	N.Y
			E1	変更 (REVISED) ECR-14-012507	01DEC14	W.W	D.Z



- 注記；
- 適用基板厚；1.6t
 - 嵌合相手製品型番
プラグハウジング；1376477
 - 適用基板穴寸法；FIG.1参照
 - 適用基板穴径； $+0.1$
 -0
パンチ加工穴；0.7
ドリル加工穴； 0.9 ± 0.05

- NOTES;
- APPLICABLE P.C.B THK.;1.6t
 - MATING CONN. P/N
PLUG HOUSING:1376477
 - APPLICABLE P.C.B LAYOUT SEE FIG.1
 - APPLICABLE P.C.B HOLE DIA.
PUNCHED HOLE; $0.7^{+0.1}_0$
DRILLED HOLE; 0.9 ± 0.05

型番は、SHEET 2 OF 2 を参照
(P/N SEE SHEET 2 OF 2)

表1
TABLE 1

部品番号 PARTS NO	名称 PARTS NAME	材質、表面処理 MATERIAL & FINISH
①	ヘッダーハウジング HEADER HOUSING	66ナイロンガラス強化 (UL94V-0) 66 NYLON GLASS FILLED
②	ポストコンタクト POST CONTACT	錫めっき済黄銅 PRE TIN BRASS

THIS DRAWING IS A CONTROLLED DOCUMENT.		DWN N.YAMASAKI 3 SEP '01	TE Connectivity	
DIMENSIONS: 単位：mm INCHES		CHK M.SHINDO 3 SEP '01		
TOLERANCES UNLESS OTHERWISE SPECIFIED: 一般公差		APVD Y.KASHIWA 3 SEP '01	NAME 名称 2.5mmPITCH	
10> ±0.2		PRODUCT SPEC 製品規格 108-5703	シグナルメイト コネクタ ヘッダーアッセンブリ (V-TYPE)	
30> ≥10:±0.25		APPLICATION SPEC 取付適用規格 114-5286	2.5mmPITCH SIGNAL MATE CONN HEADER ASSY (V-TYPE)	
100> ≥30:±0.3		WEIGHT	SIZE A3	CAGE CODE 00779
ANGLE :±3°		FINISH 仕上 SEE TABLE 1	DRAWING NO 番号 C-1376478	RESTRICTED TO —
MATERIAL 材料 SEE TABLE 1		CUSTOMER DRAWING	SCALE 尺度 —	SHEET 1 OF 2
				REV E1

LOC J	DIST —	REVISIONS ??				
P	LTR	DESCRIPTION	DATE	DWN	APVD	
	—	SEE SHEET 1	—	—	—	

E1 obsolete	回路番号6のピン抜き仕様	7	20.0	18.25	NATURAL	6	1565044-6
		6	17.5	15.75	BLUE	5	2-1565044-5
E1 obsolete	回路番号2のピン抜き仕様	6	17.5	15.75	NATURAL	5	1565044-5
	回路番号2のピン抜き仕様 5mm ピッチ	3	10.0	8.25	NATURAL	2	1376497-2
		7	20.0	18.25	RED	7	1-1376478-7
		7	20.0	18.25	NATURAL	7	1376478-7
		6	17.5	15.75	BLUE	6	2-1376478-6
		6	17.5	15.75	RED	6	1-1376478-6
		6	17.5	15.75	NATURAL	6	1376478-6
		5	15.0	13.25	RED	5	1-1376478-5
		5	15.0	13.25	NATURAL	5	1376478-5
		4	12.5	10.75	BLUE	4	2-1376478-4
		4	12.5	10.75	NATURAL	4	1376478-4
		3	10.0	8.25	RED	3	1-1376478-3
		3	10.0	8.25	NATURAL	3	1376478-3
		2	7.5	5.75	BLUE	2	2-1376478-2
		2	7.5	5.75	RED	2	1-1376478-2
		2	7.5	5.75	NATURAL	2	1376478-2
備考	ハウジング 極数	B A		色	極数	型番	
		寸法					


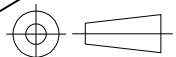
RELEASED FOR PUBLICATION

ALL RIGHTS RESERVED.

BY TYCO ELECTRONICS CORPORATION.

© COPYRIGHT

THIS DRAWING IS UNPUBLISHED.

DIMENSIONS: ??? ? MM	DWN —	MATERIAL ??	FINISH ??
TOLERANCES UNLESS OTHERWISE SPECIFIED: ????	CHK —	 TE Connectivity	
0 PLC ± -	APVD —		
1 PLC ± -	PRODUCT SPEC ????	NAME 2.5mmPITCH SIGNAL MATE CONN HEADER ASSY (V-TYPE)	
2 PLC ± -	APPLICATION SPEC ??????	2.5mmピッチシグナルメイトコネクタヘッダーアッセンブリ (V-TYPE)	
3 PLC ± -	WEIGHT —	SIZE A4	CAGE CODE 00779
4 PLC ± -		DRAWING NO ??	RESTRICTED TO —
ANGLES ± -		C-1376478	
	CUSTOMER DRAWING	SCALE ??	1:1
		SHEET 2	OF 2
		REV E1	

Mouser Electronics

Authorized Distributor

Click to View Pricing, Inventory, Delivery & Lifecycle Information:

[TE Connectivity:](#)

[1376478-7](#)