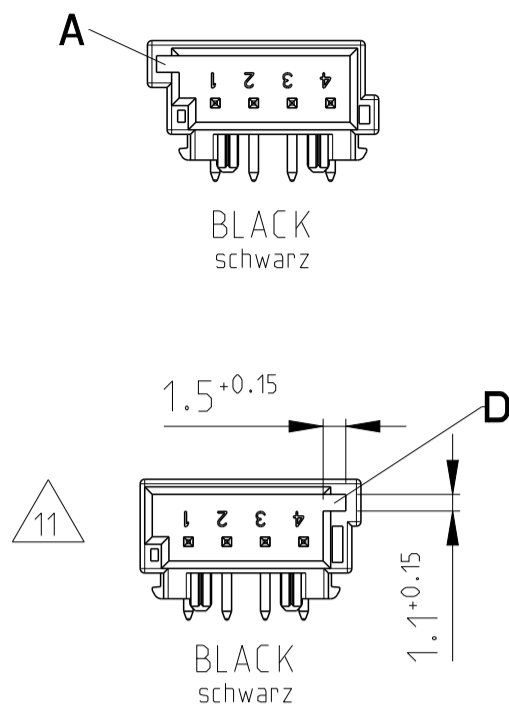
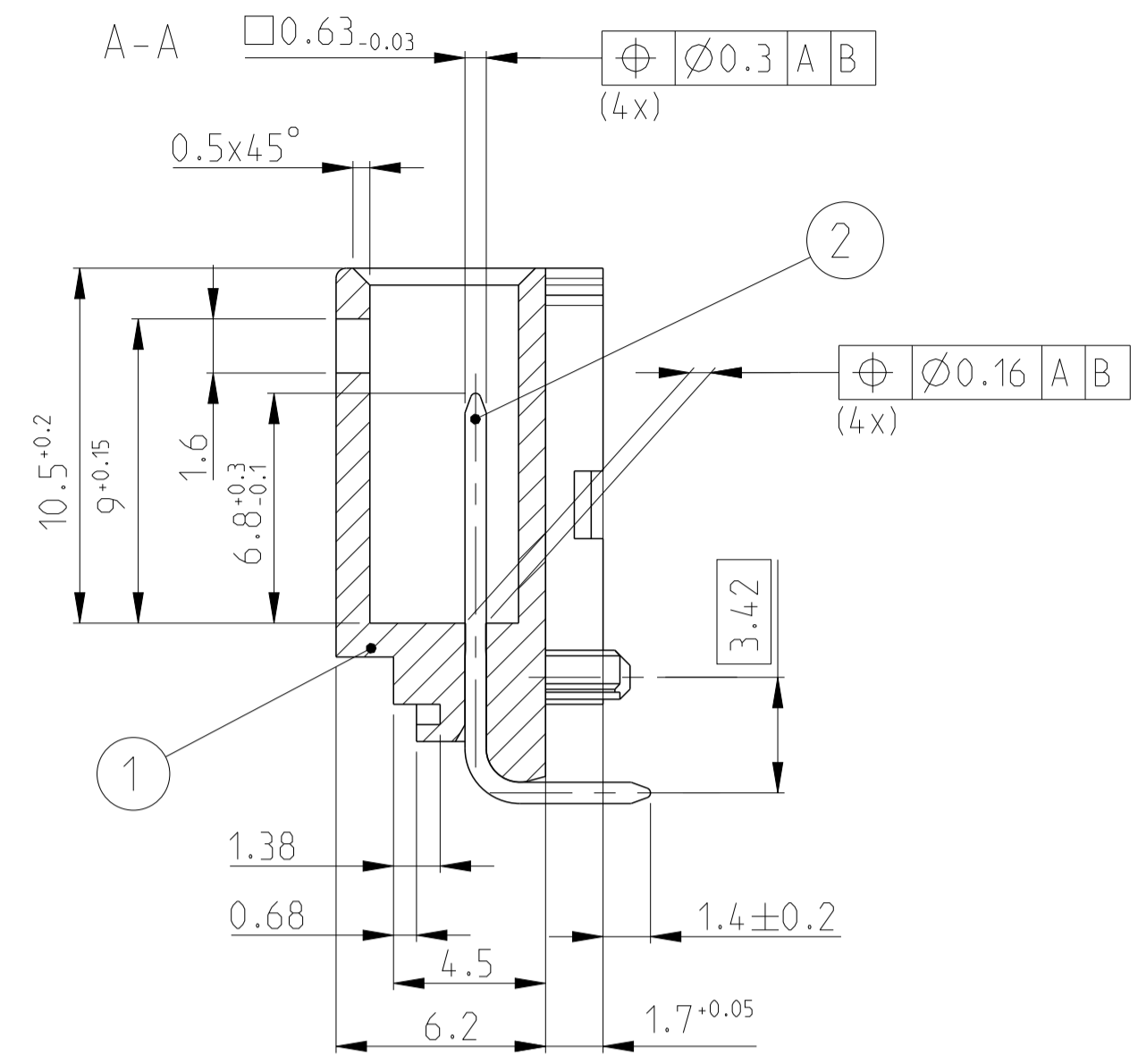
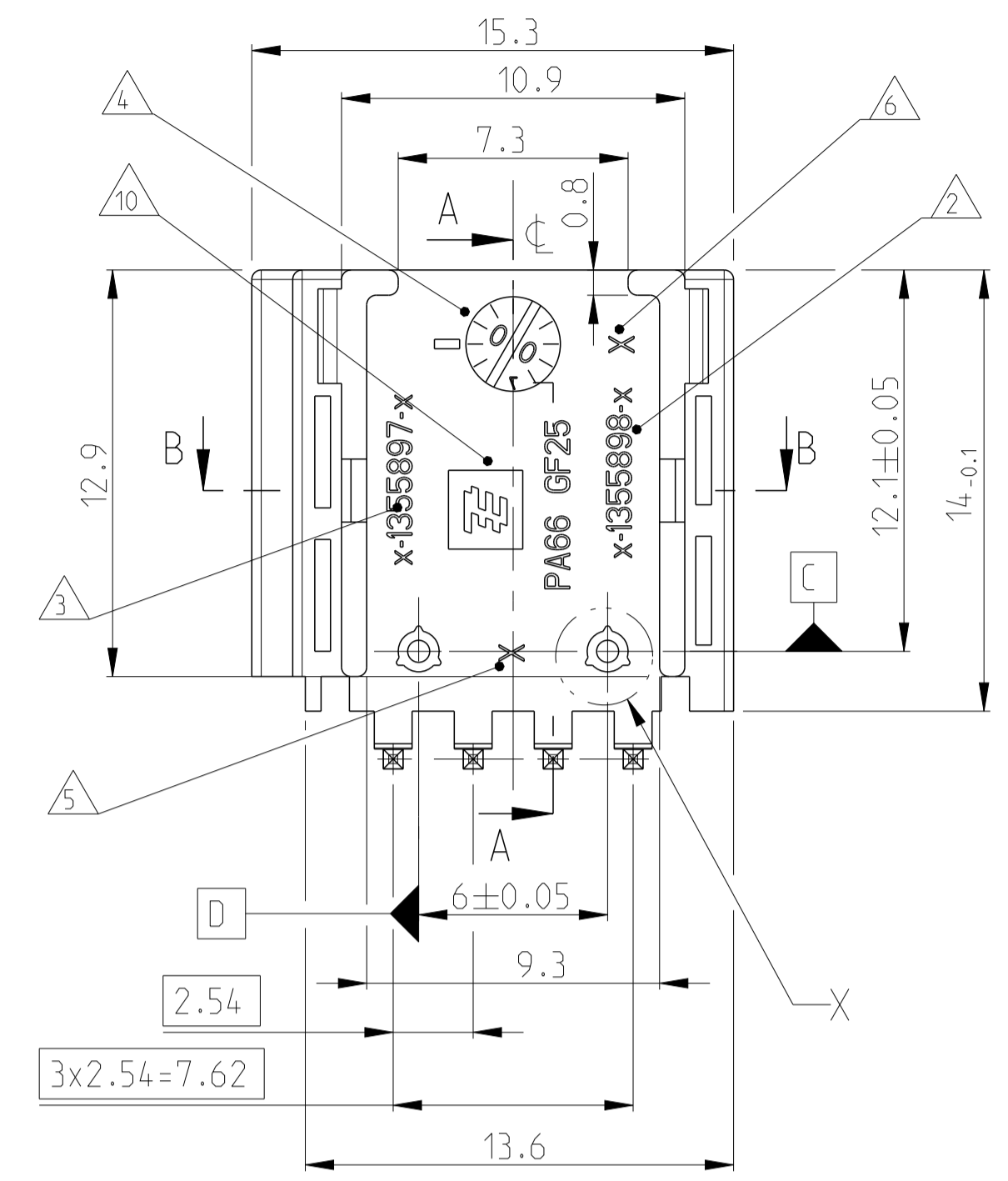


CODING
 Kodierung
 2:1

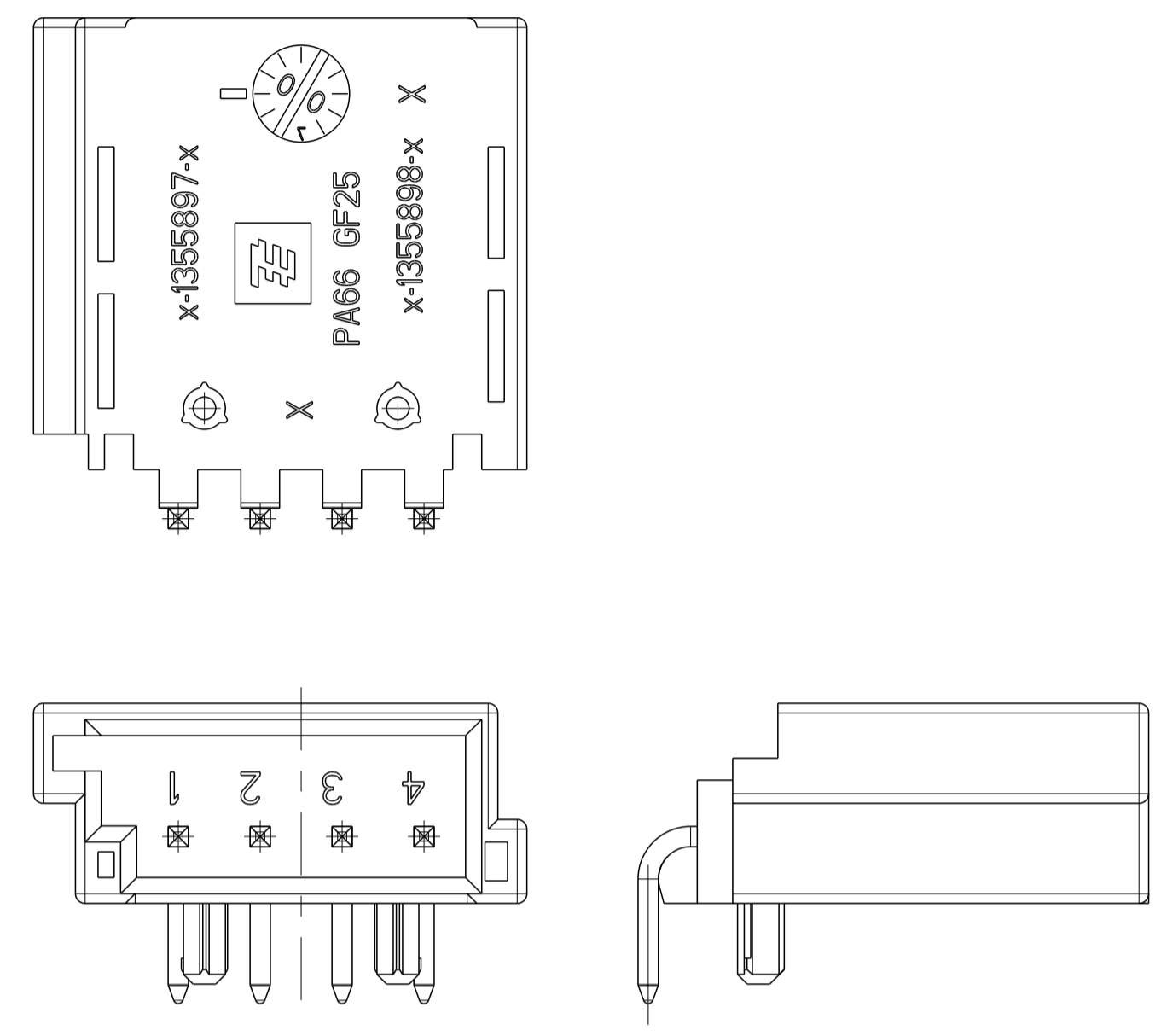


Part number 1-1355897-1 as shown

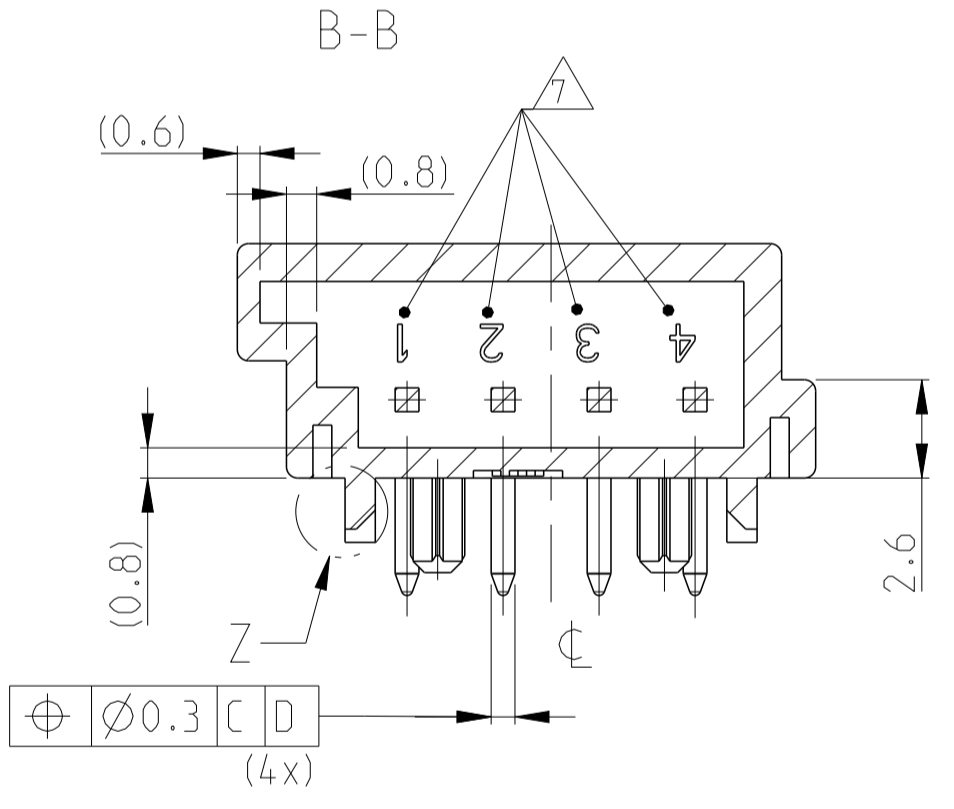
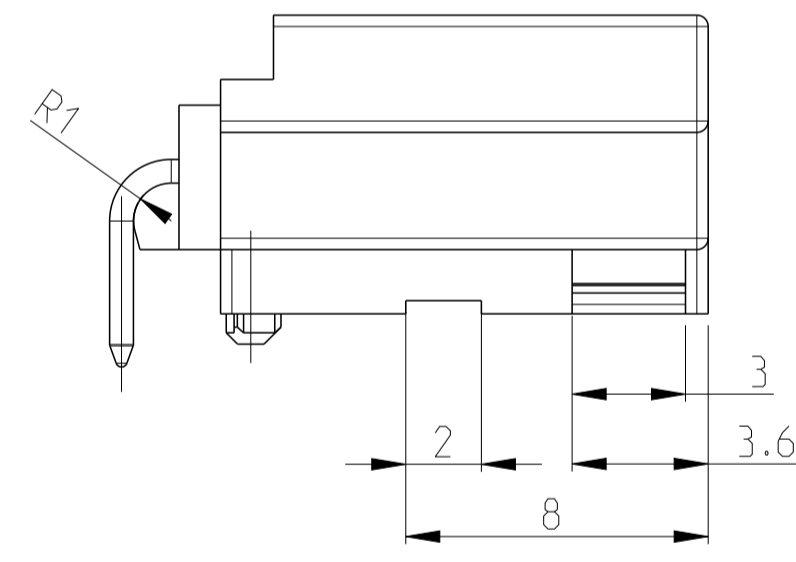
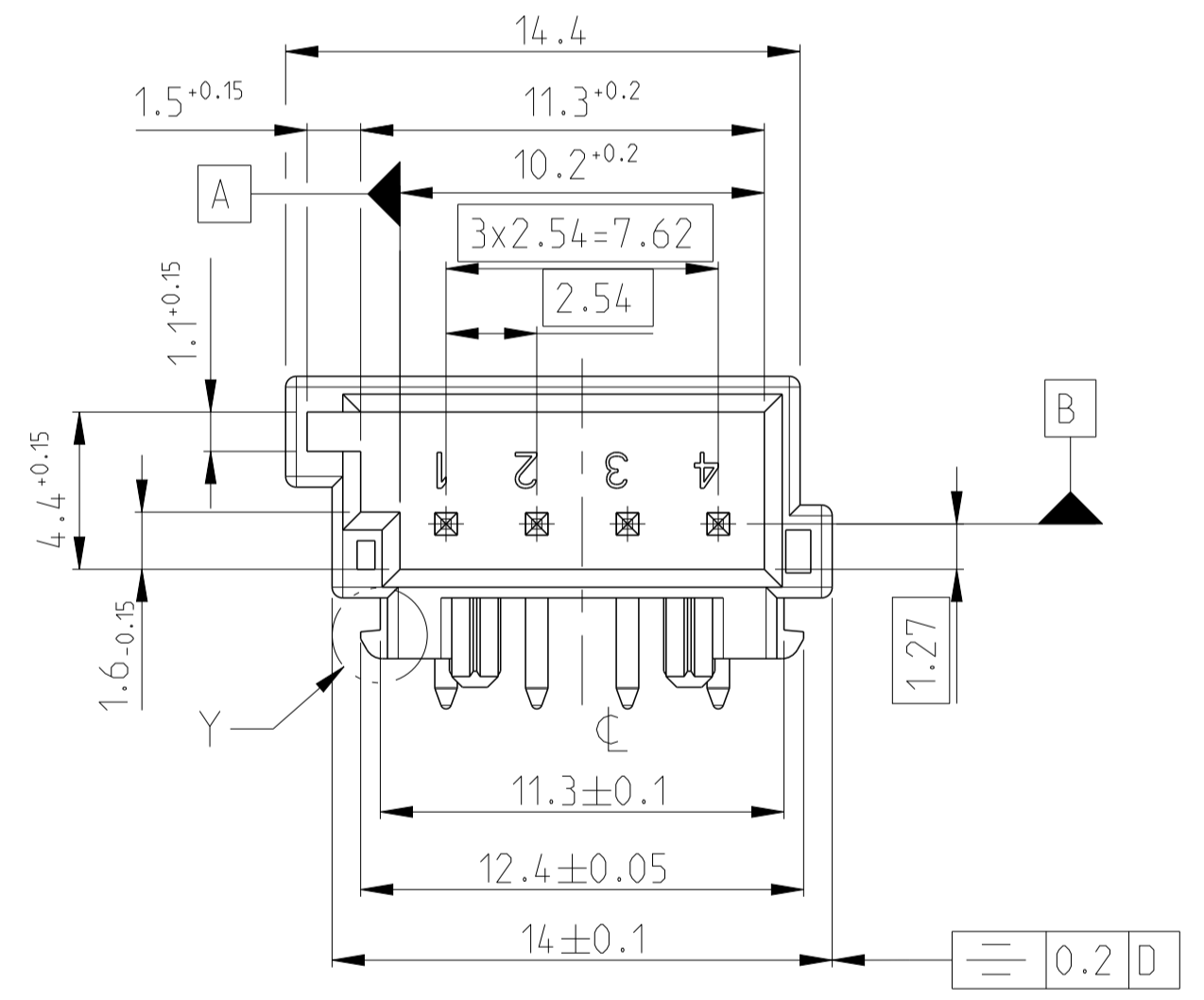
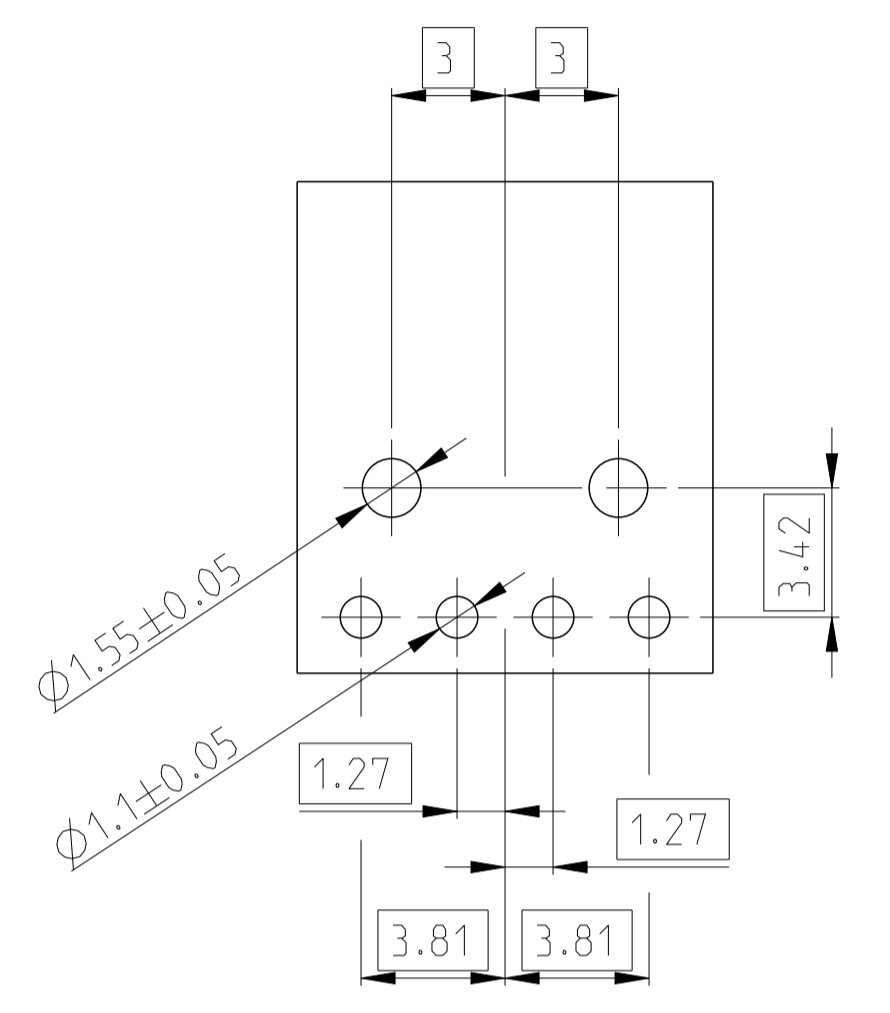


Part number 1-1355897-2 as shown

missing dimension see part number 1-1355897-1

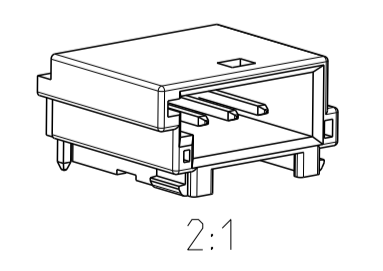


POSSIBLE PCB LAYOUT
 CUSTOMER IS RESPONSIBLE FOR LAYOUT
 Mögliches Leiterplattenlayout
 Kunde ist fuer Layout verantwortlich

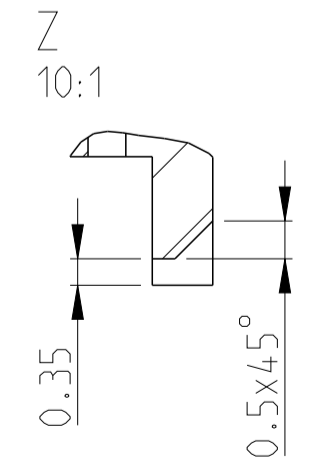
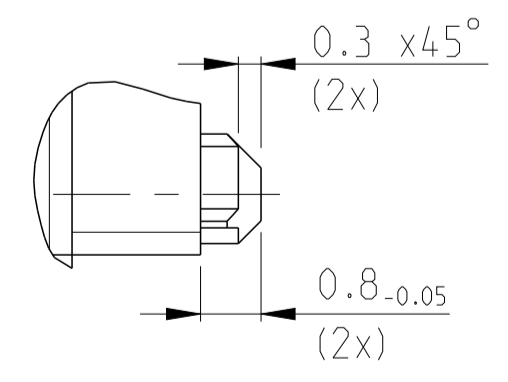
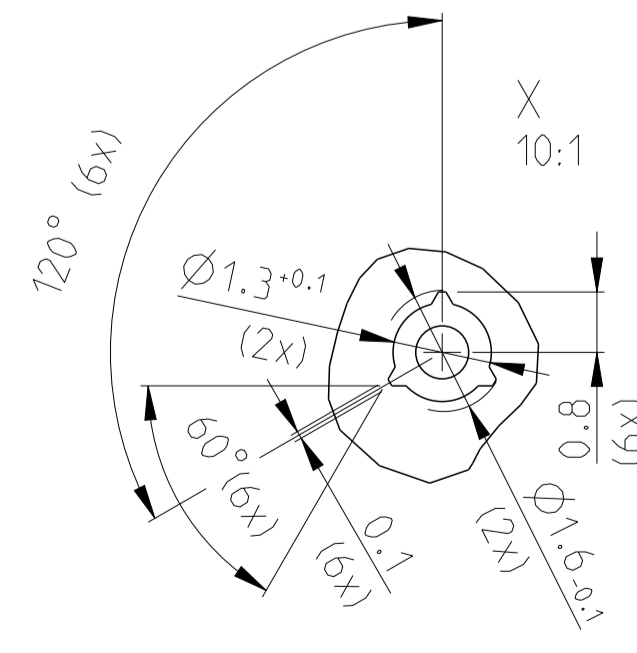
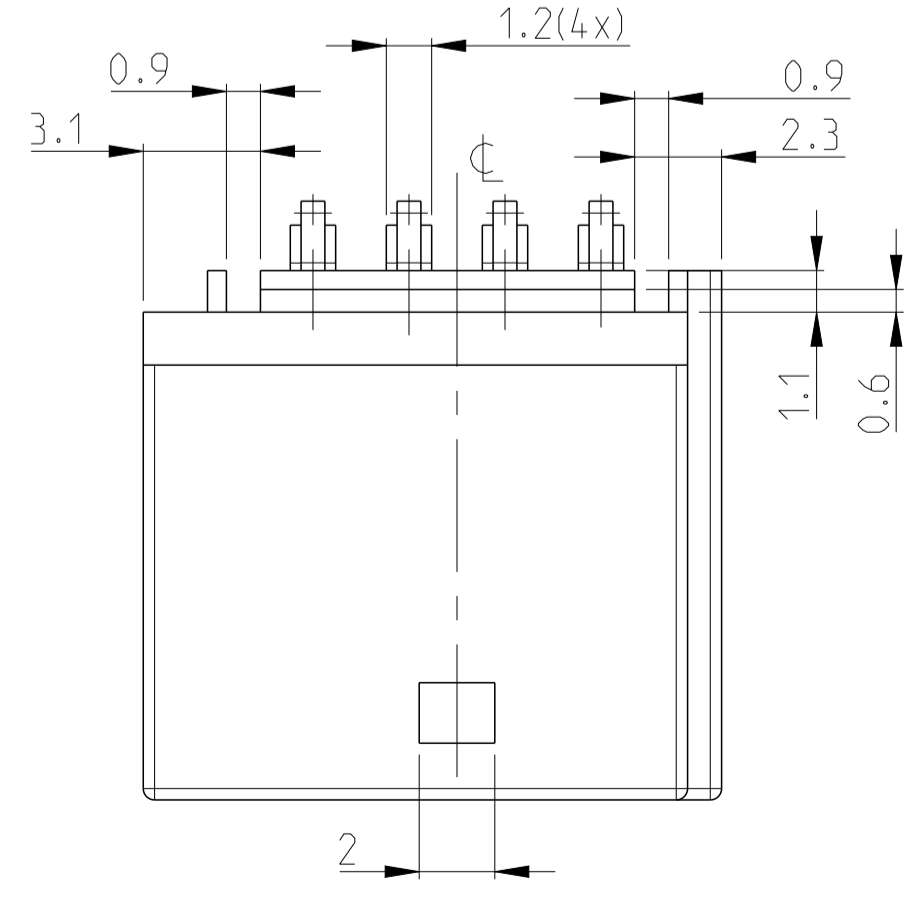
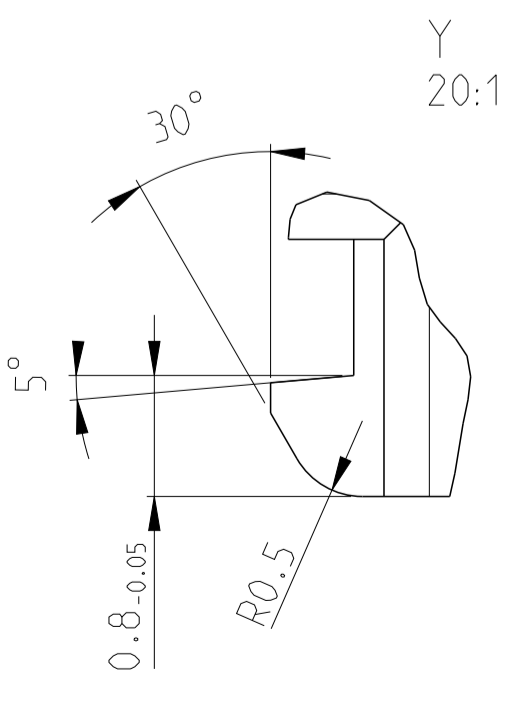


NOTES
 Bemerkungen

- 1 ALL RADIUS R0.3 EXCEPT AS NOTED
Nicht bemessene Radien R0.3
- 2 AMP-PART NO.:
AMP-Teile Nr.:
- 3 AMP-ASSY-NO.:
AMP-Assy Nr.:
- 4 PRODUCTION-DATE WITH DATE INSERT. Ø3
Produktionsdatum mit Datumstempel. Ø3
- 5 AREA FOR CAVITY MARKING
Platz für Nestmarkierung
- 6 REVISION ACCORDING TO PLASTIC PART-REV.
Änderungsindex gem. B. Kunststoffteil-Rev.
- 7 CAVITY IDENTIFICATION
Kammerbezeichnung
- 8 PIN RETENTION FORCE MIN. 25N AGAINST STITCHING DIRECTION
Stiftausdrückkraft min. 25N entgegen der Bestückungsrichtung
- 9 WALL THICKNESS EXCEPT AS NOTED 1mm
unbemessene Wandstärken 1mm
- 10 MATERIAL IDENTIFICATION
Materialkennzeichnung
- 11 CONVERSION KIT FOR CODING D IS POSSIBLE
Umbausatz fuer Kodierung D im Werkzeug vorgesehen
- 12 1-4 µm Sn OVER/ über 1.3-2.5 Ni
- 13 PARTING LINE BURR MAX 0.2mm
Formtrennprat max. 0.2mm
- 14 SOLDERABILITY ACCORDING DIN IEC 68 PART 2-20
Lötlbarkeit gem. B. DIN IEC 68 PART 2-20
- 15 PACKAGING: BULK PARTS IN CARDBOARD
Verpackung: Schüttgut in Karton



CODING A AS SHOWN
 Kodierung A wie gezeigt



1-1355897-2	4	MODU II PIN	12	CuMg0.1	A	2	
	1	MOS PIN HEADER	BLACK/schwarz	PA66 GF25	A	1	
1-1355897-1	4	MODU II PIN	12	CuMg0.1	A	2	
	1	MOS PIN HEADER	BLACK/schwarz	PA66 GF25	A	1	
Bestell Nr. PART NO	REV	PCS	DESCRIPTION	SURFACE	MATERIAL	CODING	ITEM NO

DIMENSIONS: mm		TOLERANCES UNLESS OTHERWISE SPECIFIED: DIN16901-140		DWG: G.Panitz 09MAR2000		tyco Electronics		Tyco Electronics AMP GmbH D - 64625 Bensheim	
MATERIAL: SEE TABLE		FINISH: -		NAME: H.Schmidt		PRODUCT SPEC: -		MOS PIN HEADER, 4POS. MOS Stiftwanne, 4pol.	
CUSTOMER DRAWING		SCALE: 5:1		CAGE CODE: 00779		DRAWING NO: 1355897		RESTRICTED TO: -	
		SHEET 1 OF 1		REV: A1					

Mouser Electronics

Authorized Distributor

Click to View Pricing, Inventory, Delivery & Lifecycle Information:

[TE Connectivity:](#)

[1-1355897-2](#)