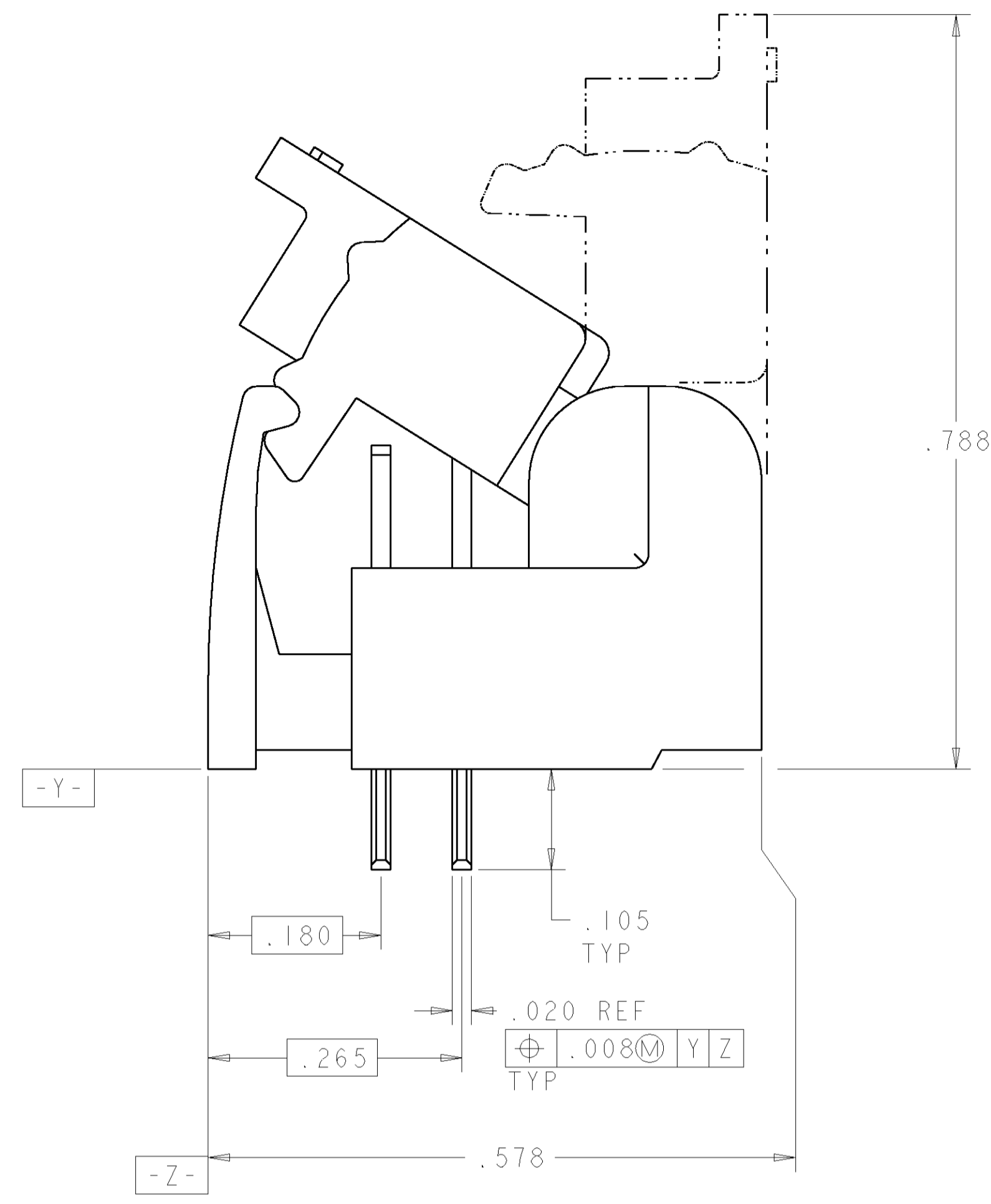
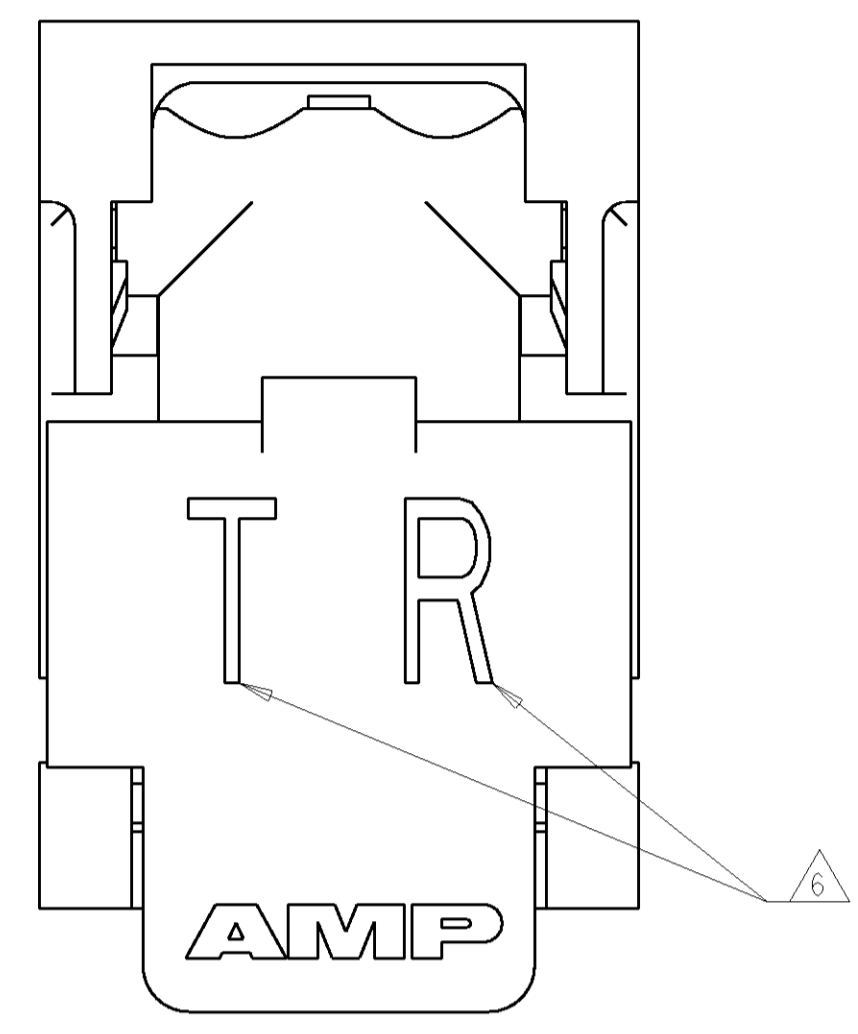
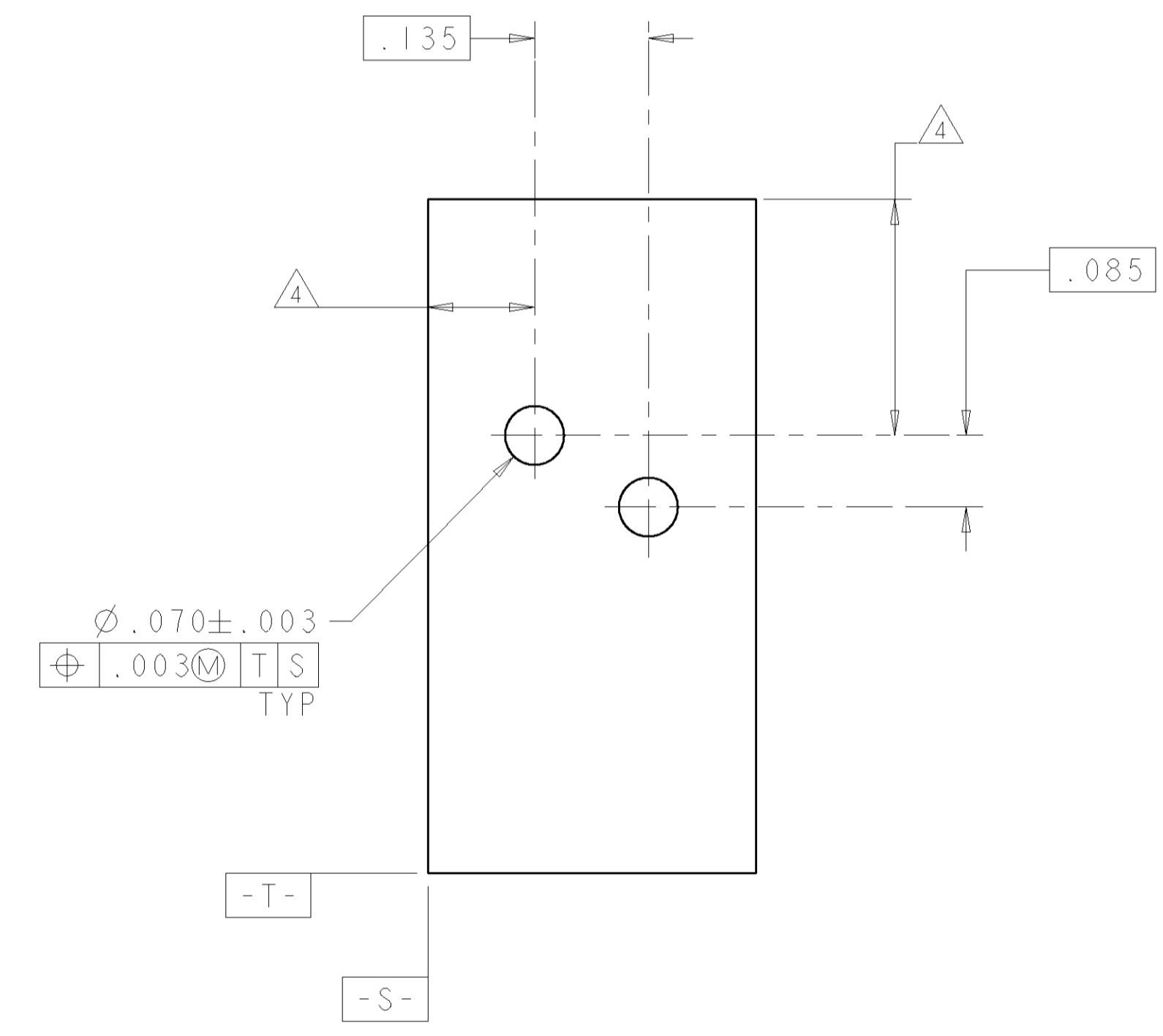
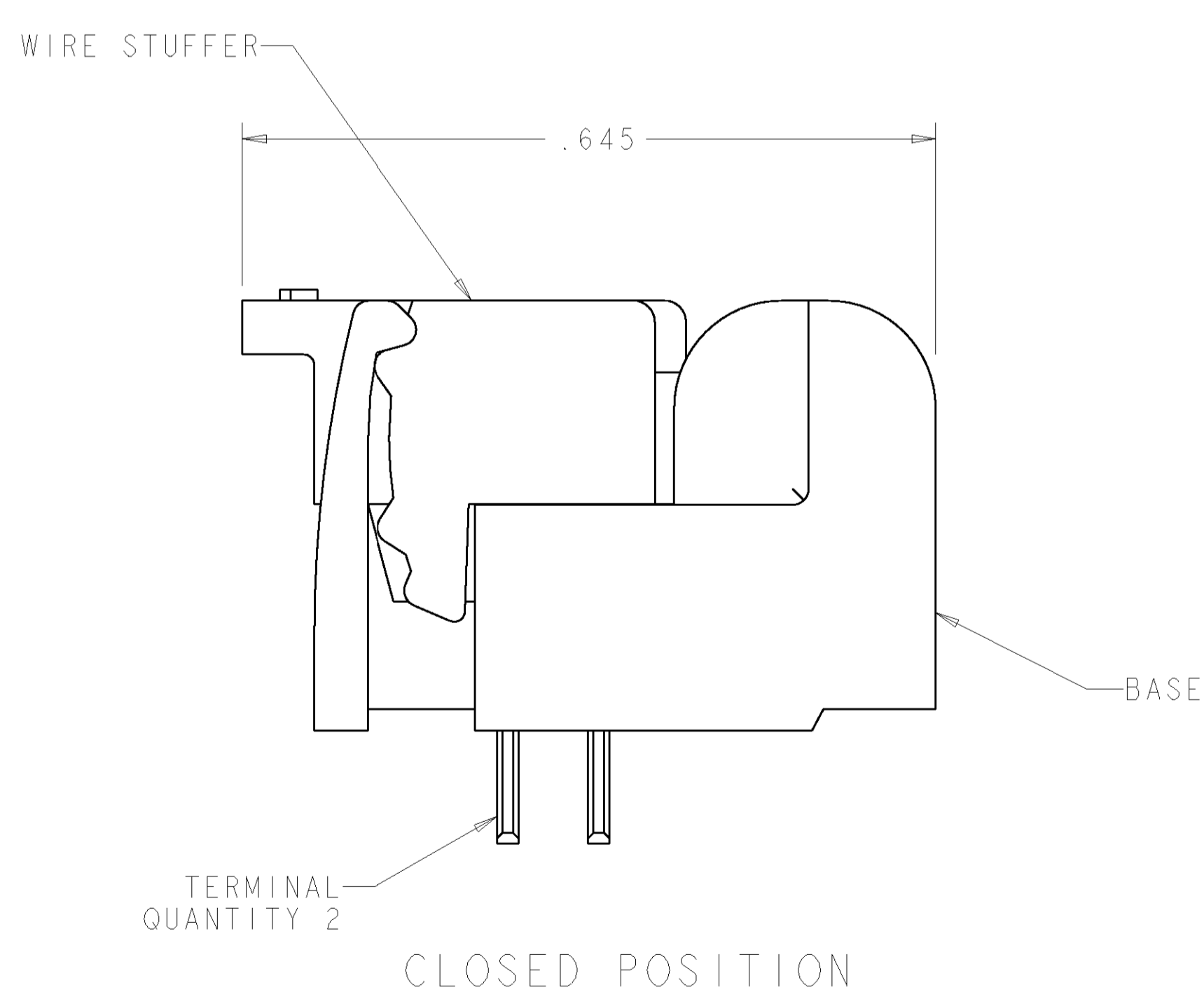
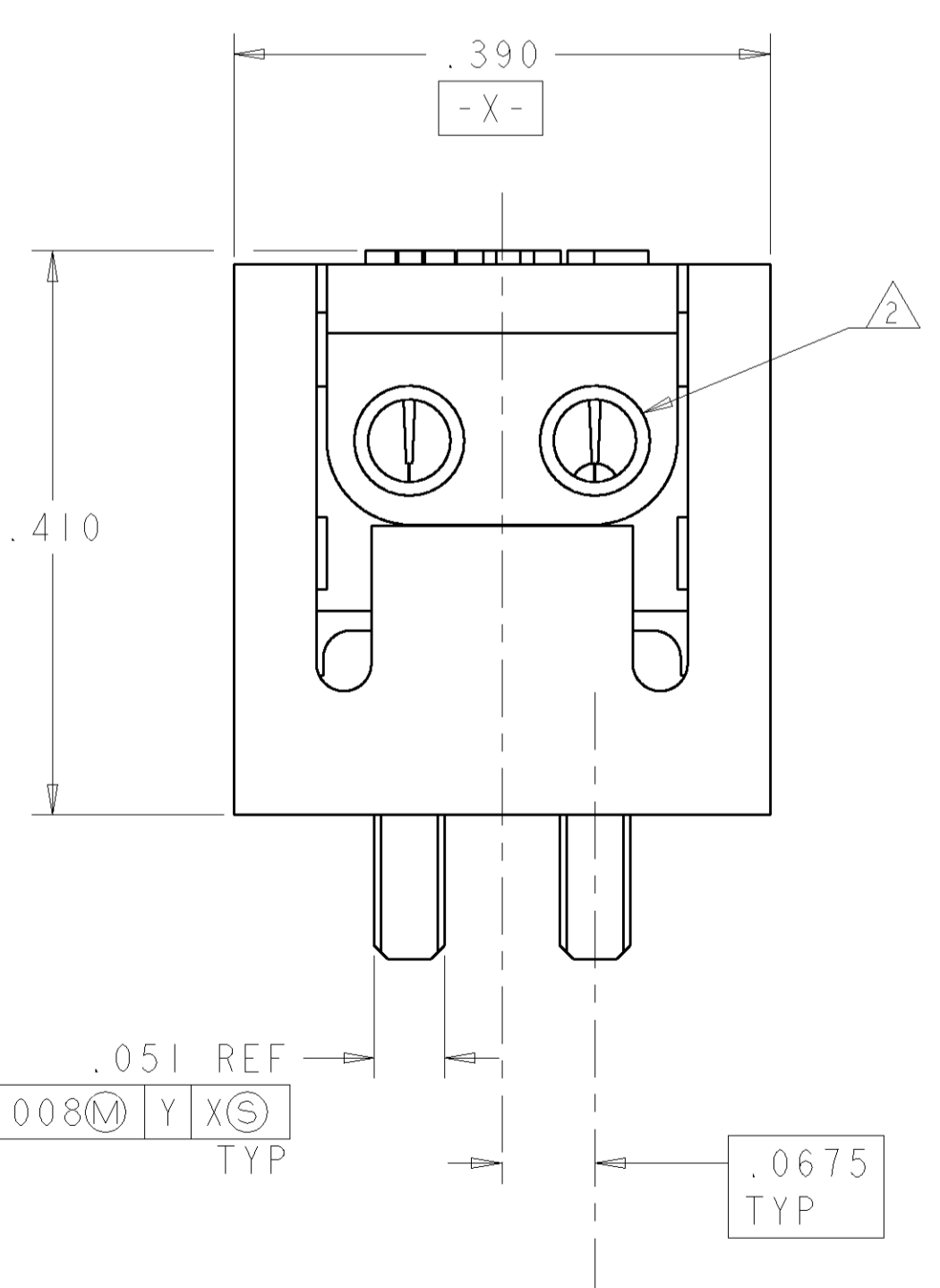


LOC	DIST	REVISIONS			
F	LTN	DESCRIPTION	DATE	DWN	APPD
G		ADDED: -3 PER EC 0S15-0326-02	12SEP2002	DLD	RPM
H		REVISED PER EC 0S15-0450-02	21JAN2003	DLD	RPM
J		REVISED PER EC 0S15-0324-03	01DEC2003	JB	CF
KI		REVISED ECR-20-001863	30MAY20	J.J	W.H



- △ MATERIAL: BASE - HIGH TEMPERATURE MOLDING COMPOUND, BLACK. WIRE STUFFER: - HIGH TEMPERATURE MOLDING COMPOUND. TERMINAL - COPPER ALLOY, PLATED WITH 3.81μm MINIMUM THICK TIN OVER 1.27μm MINIMUM THICK NICKEL UNDERPLATE.
- △ EACH WIRE ENTRY HOLE ACCEPTS ONE UNSTRIPPED SOLID COPPER 22-26 AWG WIRE WITH WIRE INSULATION DIAMETER RANGE FROM .060 THROUGH .040. OTHER WIRE SIZES AND TYPES SHALL BE SUBMITTED TO AMP ENGINEERS FOR APPLICATION APPROVAL.
- 3. SOLDER TABS PROVIDED FOR PERMANENT BOARD MOUNTING.
- △ LOCATION OF HOLE PATTERN DETERMINED BASED ON CUSTOMER REQUIREMENTS.
- △ T AND R DESIGNATIONS NOT ON TAN STUFFER FOR 1339222-3. OR 1339222-4



SUGGESTED PRINTED CIRCUIT BOARD MOUNTING DIMENSIONS VIEWED FROM SOLDER SIDE

COLOR	CODE	PART NUMBER
-	-	CLEAR
-	-	TAN
RED	GREEN	CLEAR
RED	GREEN	TAN
R	T	WIRE STUFFER

<small>THIS DRAWING IS UNPUBLISHED. RELEASED FOR PUBLICATION. ALL RIGHTS RESERVED. ALL DIMENSIONS ARE IN INCHES UNLESS OTHERWISE SPECIFIED. DIMENSIONS IN PARENTHESES ARE FOR INFORMATION ONLY. DIMENSIONS IN PARENTHESES SHALL BE CONTACTED FOR THE LATEST REVISION.</small>		DWN: R. ZARBOCK 05OCT99 ENR: M. DERSTINE 05OCT99 APPD: M. DERSTINE 05OCT99	AMP AMP Incorporated Harrisburg, PA 17105-3608
DIMENSIONS: INCHES 0 PLC ± 1 PLC ±.01 2 PLC ±.01 3 PLC ±.005 4 PLC ± ANGLES ±	TOLERANCES UNLESS OTHERWISE SPECIFIED: FINISH: -	NAME: ASSEMBLY, SINGLE PAIR, SINGLE ENTRY, PIVOT II CONNECTOR PRODUCT SPEC: - APPLICATION SPEC: - WEIGHT: - CUSTOMER DRAWING	SIZE: A1 CAGE CODE: 00779 DRAWING NO: 1339222 SCALE: 8:1 SHEET 1 OF 1 REV KI

Mouser Electronics

Authorized Distributor

Click to View Pricing, Inventory, Delivery & Lifecycle Information:

[TE Connectivity:](#)

[1339222-2](#)