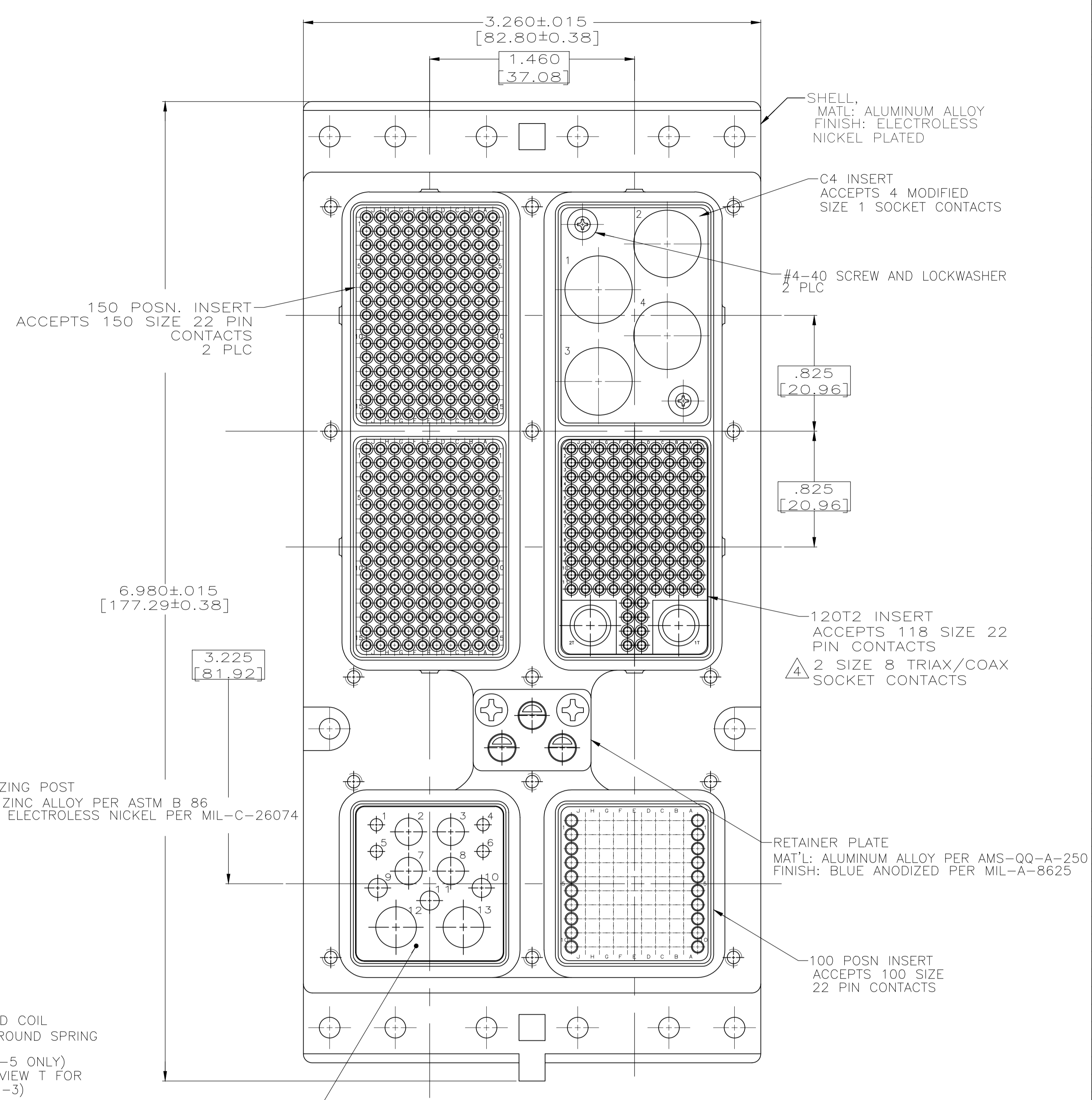
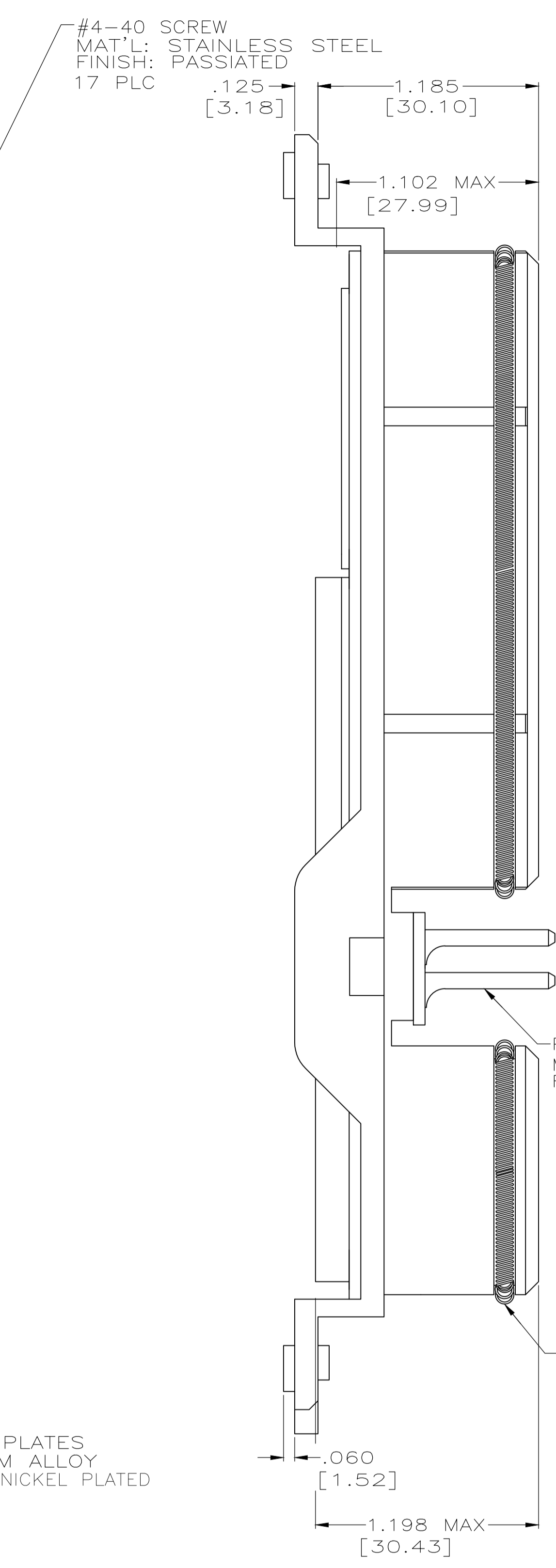
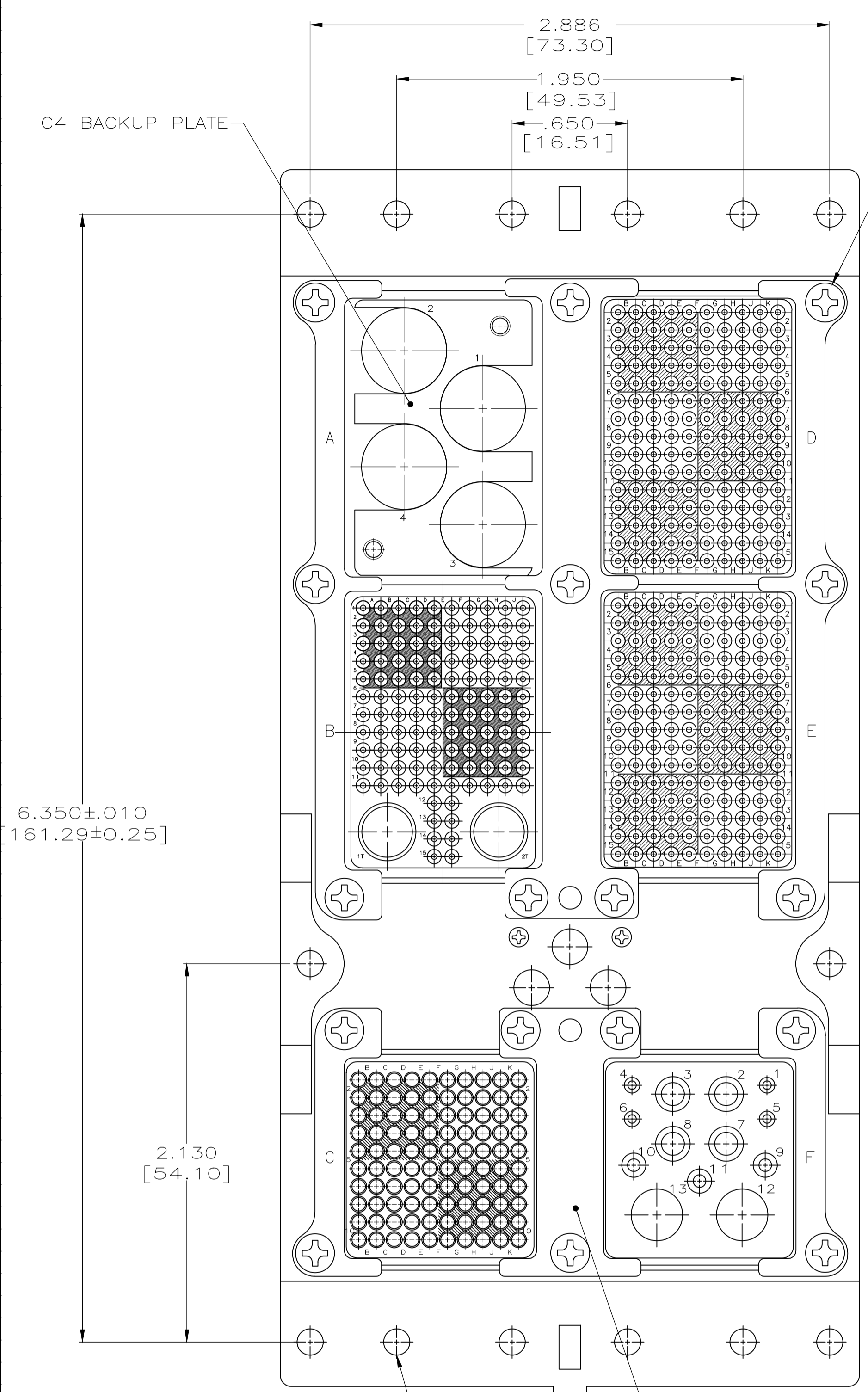
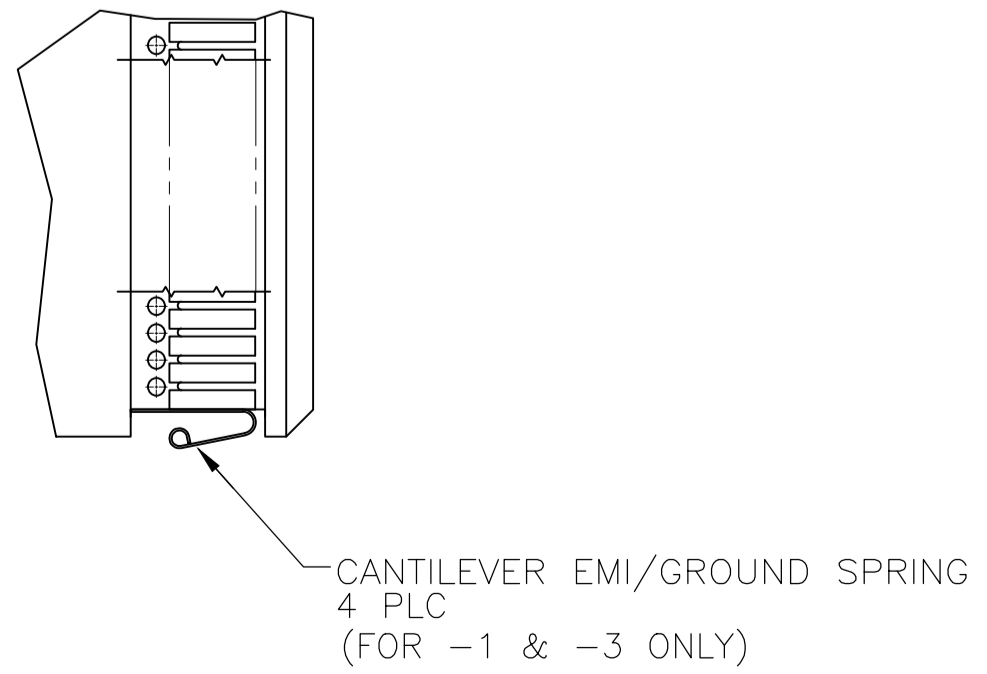


REVISIONS					
P	LTR	DESCRIPTION	DATE	DMN	APVD
D		REVISED PER ECO-17-015513	19DEC2017	PHM	CT



INSERT RETENTION PLATES
MATERIAL: ALUMINUM ALLOY
FINISH: ELECTROLESS NICKEL PLATED

Ø .148±.003 [3.76±0.08] TYP



- DIMENSIONS AND MATERIALS PER ARINC 600 SPECIFICATION.
 - CONNECTOR POLARIZATION = "01".
 - ALL CONTACTS MUST BE ORDERED SEPARATELY.
- △ COAX CONTACTS GROUNDED TO SHELL THROUGH GOLD PLATED GROUND SPRINGS TO MEET REQUIREMENTS OF RTCA DOD-160D, SEC 20. 120T2 INSERT DOES NOT ACCEPT STANDARD SIZE 8 CONTACTS.
USE: 1218821-2 FOR RG-142 WIRE
USE: 1218820-2 FOR RG-316 WIRE
USE: 1218822-2 FOR RG-55/58/223 WIRE
APPLIES TO 1218791-3, -4 AND -5 ONLY.
- △ SIGNAL AND POWER CONTACTS INCLUDED. COAX/TRIAx MUST BE ORDERED SEPARATELY.
- △ PRELIMINARY- NOT RELEASED FOR PRODUCTION

13C2 INSERT
ACCEPTS: 4 SIZE 12 SOCKETS
3 SIZE 16 SOCKETS
4 SIZE 20 SOCKETS
2 SIZE 5 COAX SOCKETS

CONTACTS	STATUS	DESCRIPTION	PART NUMBER
△ 5	RELEASED	HIRF COMPLIANT COAX △ 4 WITH CANTED COIL SPRING EMI GROUND SPRING	1218791-5
△ 3	△ 6	HIRF COMPLIANT COAX △ 4 NO EMI GROUND SPRING	1218791-4
△ 3	RELEASED	HIRF COMPLIANT COAX △ 4 WITH CANTILEVER EMI GROUND SPRING	1218791-3
△ 3	△ 6	STANDARD NO EMI GROUND SPRING	1218791-2
△ 3	△ 6	STANDARD WITH CANTILEVER EMI GROUND SPRING	1218791-1
		13C2 & 120T2 COAX INSERTS	
		EMI GROUND SPRING TYPE	

THIS DRAWING IS A CONTROLLED DOCUMENT. DIN C.C.THOMAS 9-8-00
CHK S.GLATFELTER 9-12-00
APVD S.GLATFELTER 9-12-00

TE Connectivity

PLUG ASSY W/ EMI GROUND SPRING, SIZE 3, UNSEALED, ARINC 600

SCALE 2:1 SHEET 1 OF 1 REV D

Mouser Electronics

Authorized Distributor

Click to View Pricing, Inventory, Delivery & Lifecycle Information:

[TE Connectivity:](#)

[1218791-3](#)