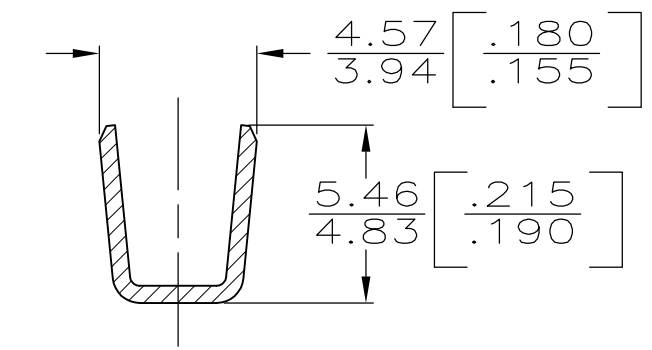
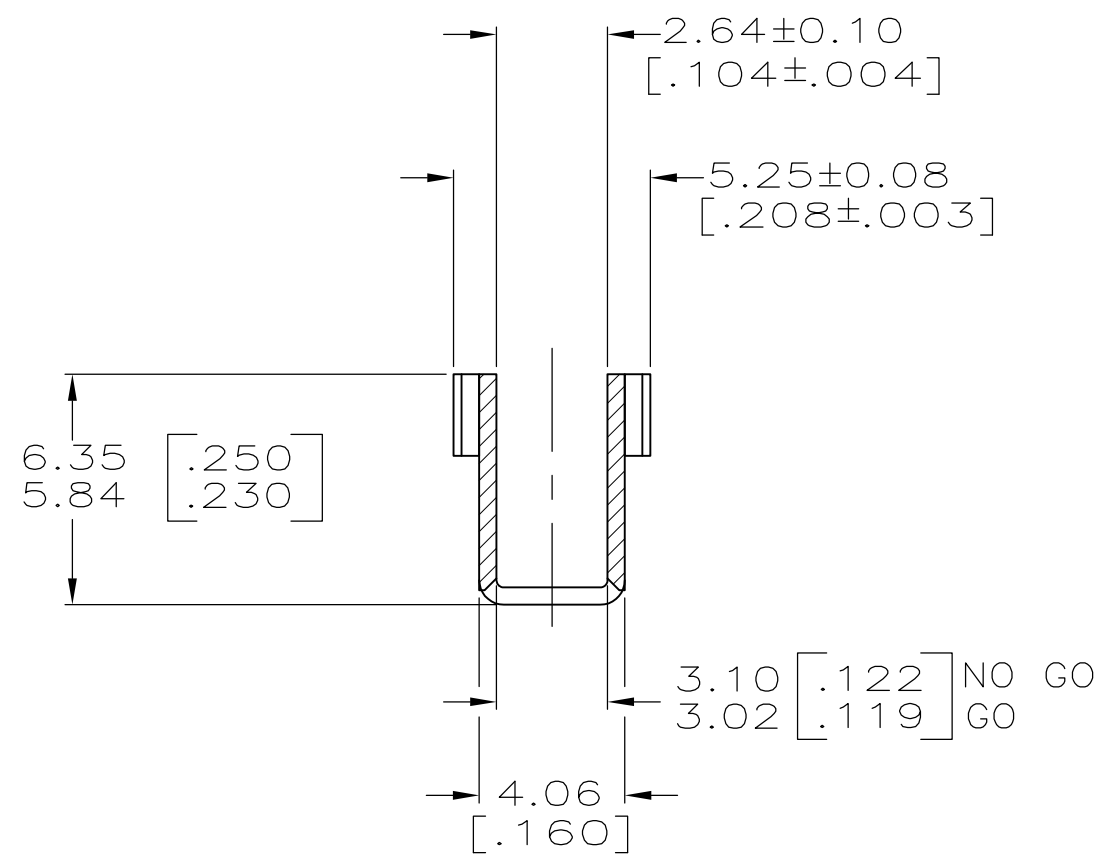
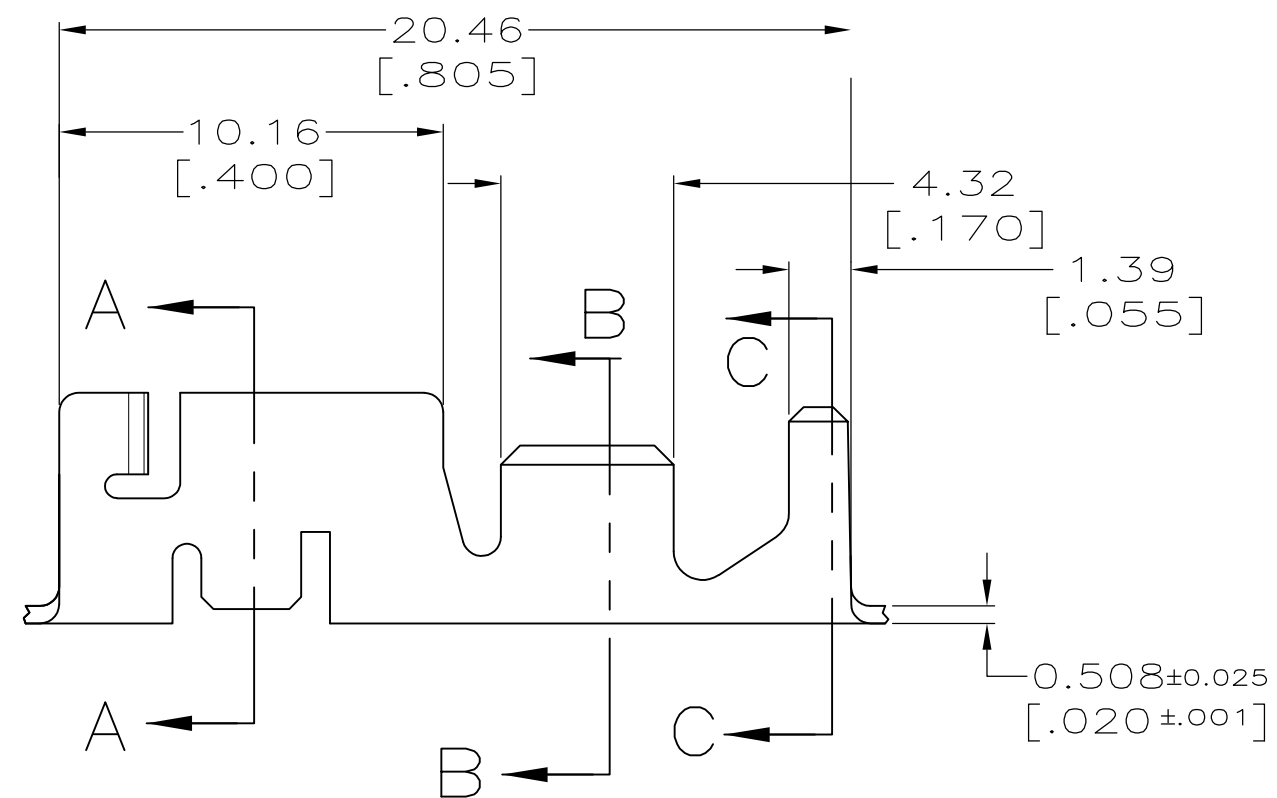
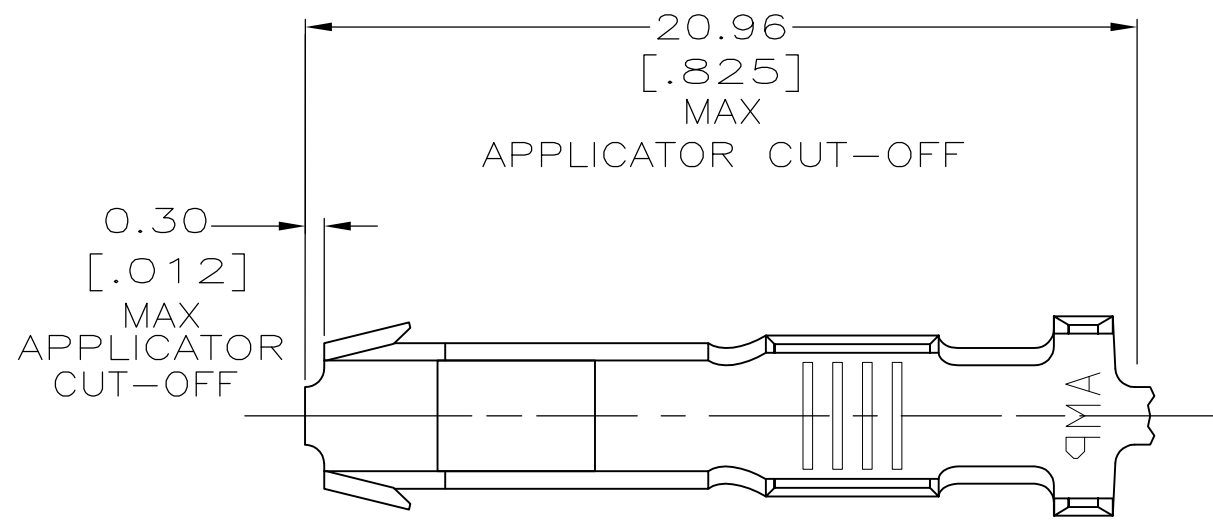


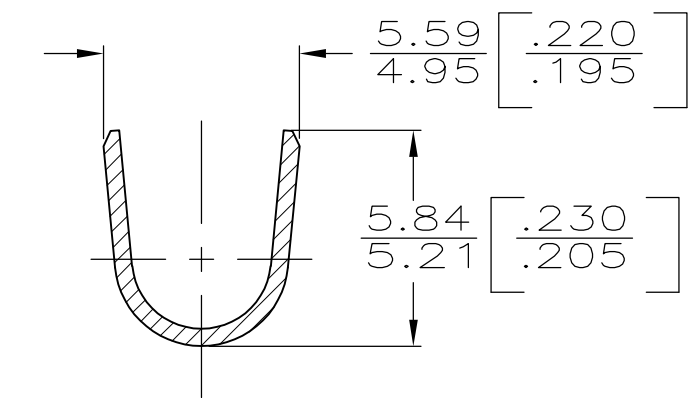
THIS DRAWING IS UNPUBLISHED. RELEASED FOR PUBLICATION
 © COPYRIGHT - By - ALL RIGHTS RESERVED.

LOC		DIST		REVISIONS			
P	LTR	DESCRIPTION		DATE	DWN	APVD	
AF	50	G		REVISED PER ECR-12-016352	17NOV12	KH	GJ

- 1 CONTINUOUS STRIP ON REELS WITH TERMINALS LOCATED ON 22.61[.890] CENTERS
- 2 PRODUCT SPEC DOES NOT APPLY TO PART NUMBER 1217175-4.
- 3 PART NUMBER 1217175-5 IS NOT QUALIFIED TO THE PRODUCT SPECIFICATION.
- 4 WIRE RANGE: 2.0 - 5.0 mm² [#14-#10 AWG].
- 5 INSULATION RANGE: 4.32[.170] MAX DIAMETER.
- 6 PRELIMINARY - NOT FOR PRODUCTION.



SECTION B-B



SECTION C-C

F OR O	4.57 [.180]	6.22 [.245]	F	3.56 [.140]	2.97 [.117]	5.0mm ² [10]
					2.54 [.100]	3.0mm ² [12]
					2.24 [.088]	2.0mm ² [14]
TYPE	WIDTH	STRIP LENGTH ±0.38 [±.015]	TYPE	WIDTH	±0.05 [±.002] HEIGHT	WIRE
INSUL BARREL CRIMP			WIRE BARREL CRIMP			

UNPLATED	H03 TIN-BRASS	6 3 1217175-5
POST TIN	H02 CU-FE, C19500	6 2 1217175-4
POST TIN	H03 TIN-BRASS	1217175-1
FINISH	MATERIAL	PART NUMBER

THIS DRAWING IS A CONTROLLED DOCUMENT.

DWN MICHAEL S. FEHER 06JUL1999
 CHK PETE DESANTIS 07JUL1999
 APVD PETE DESANTIS 07JUL1999

TE Connectivity

RECEPTACLE, CLUSTER PIN, 3.18 [.125] DIA

108-2008
 APPLICATION SPEC

114-2019

SCALE 5:1 SHEET 1 OF 1 REV G

Mouser Electronics

Authorized Distributor

Click to View Pricing, Inventory, Delivery & Lifecycle Information:

[TE Connectivity:](#)

[1217175-1](#)