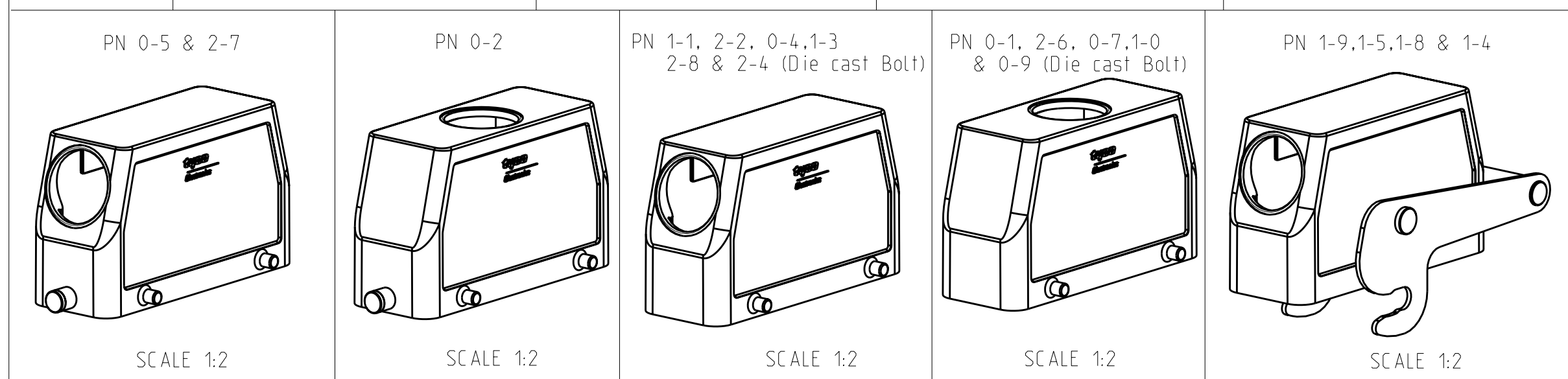
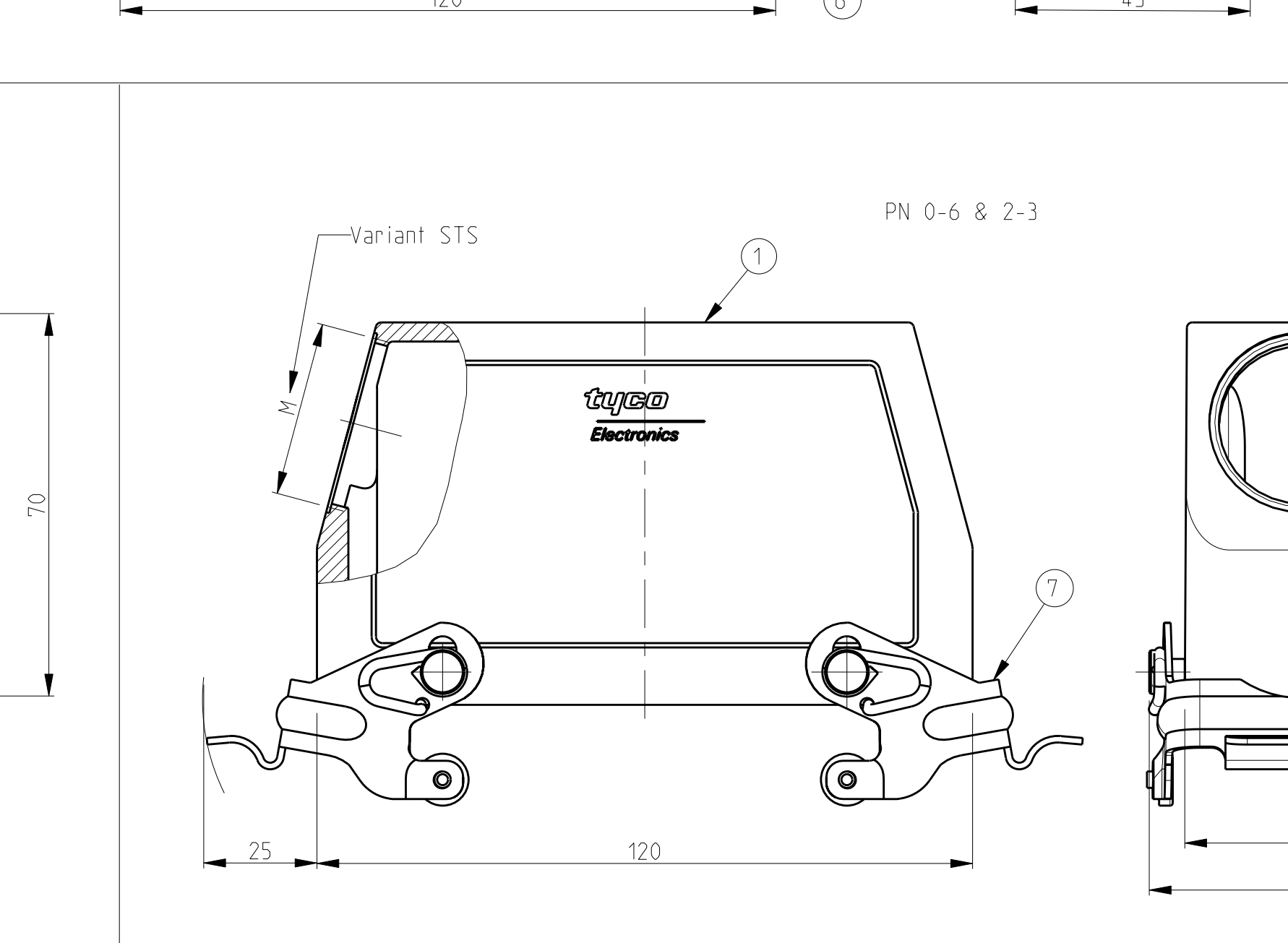
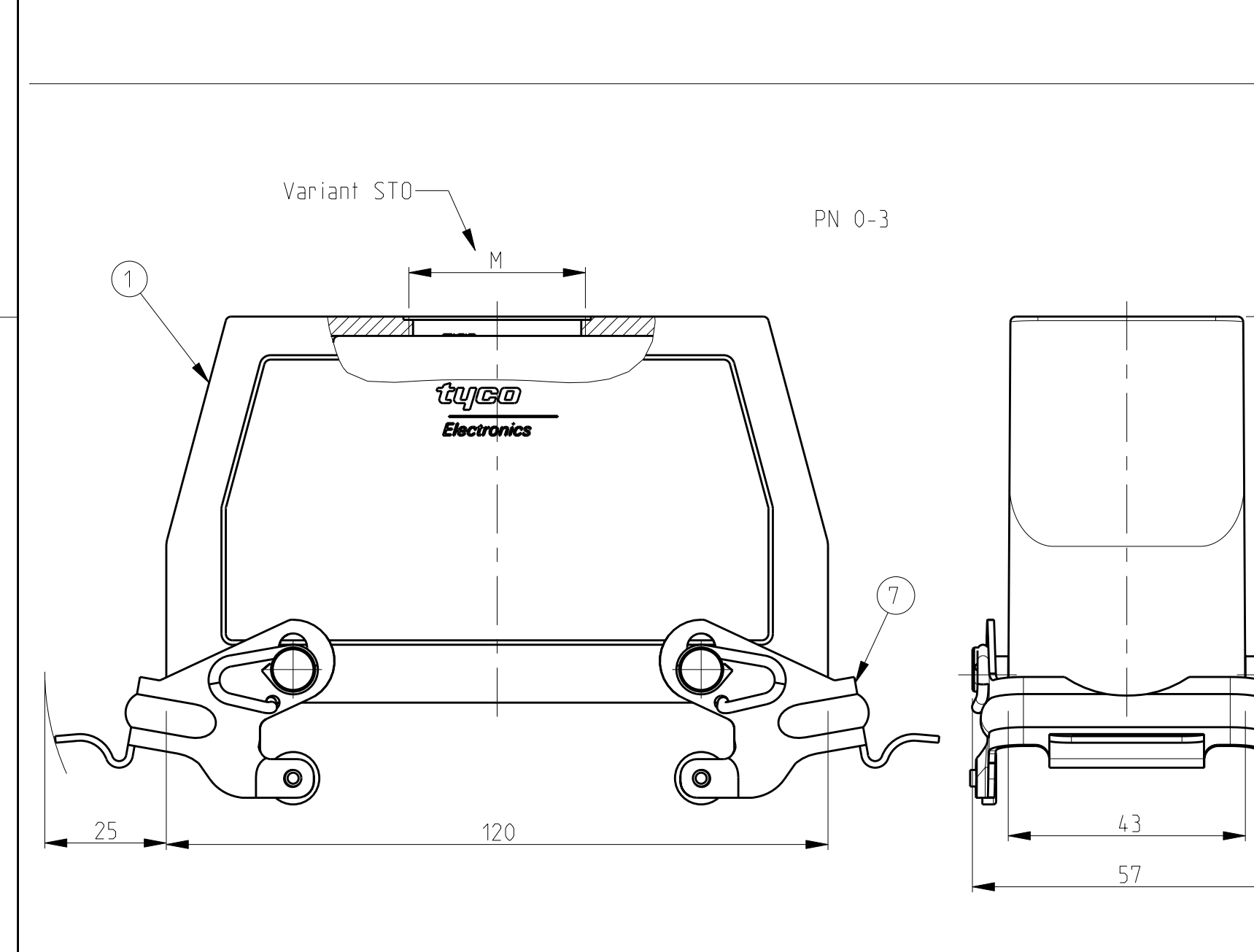
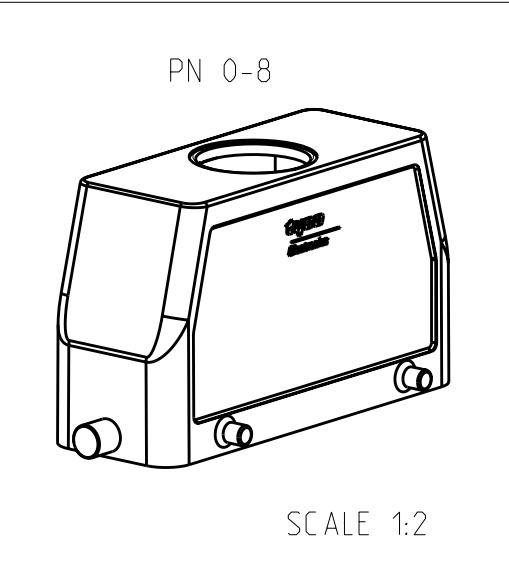
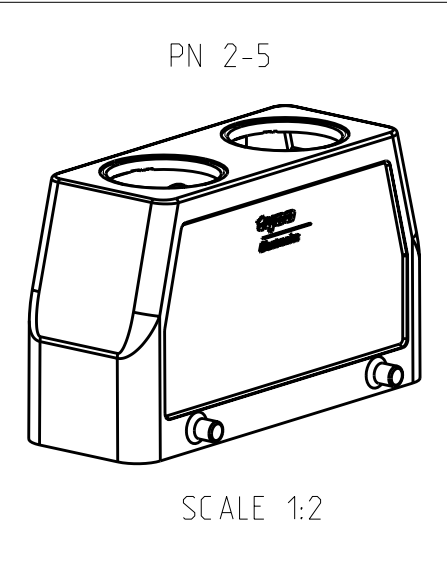
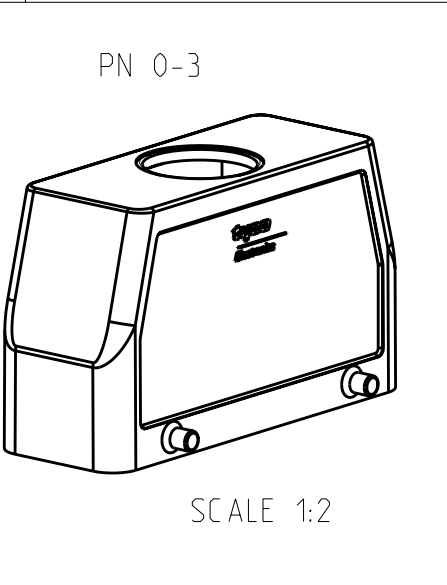
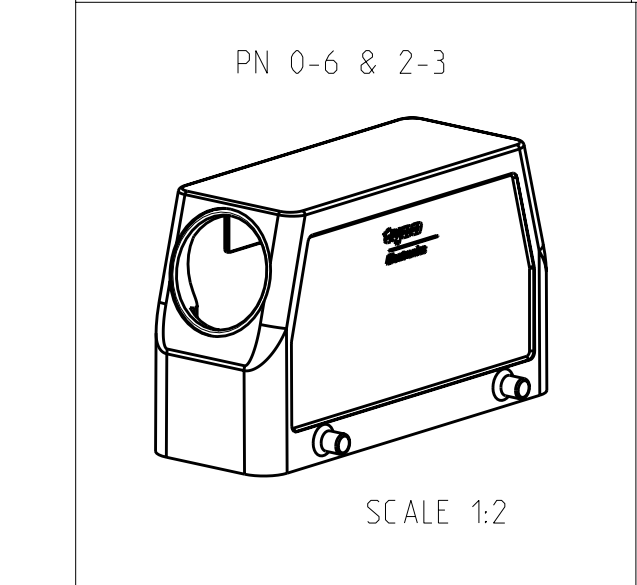
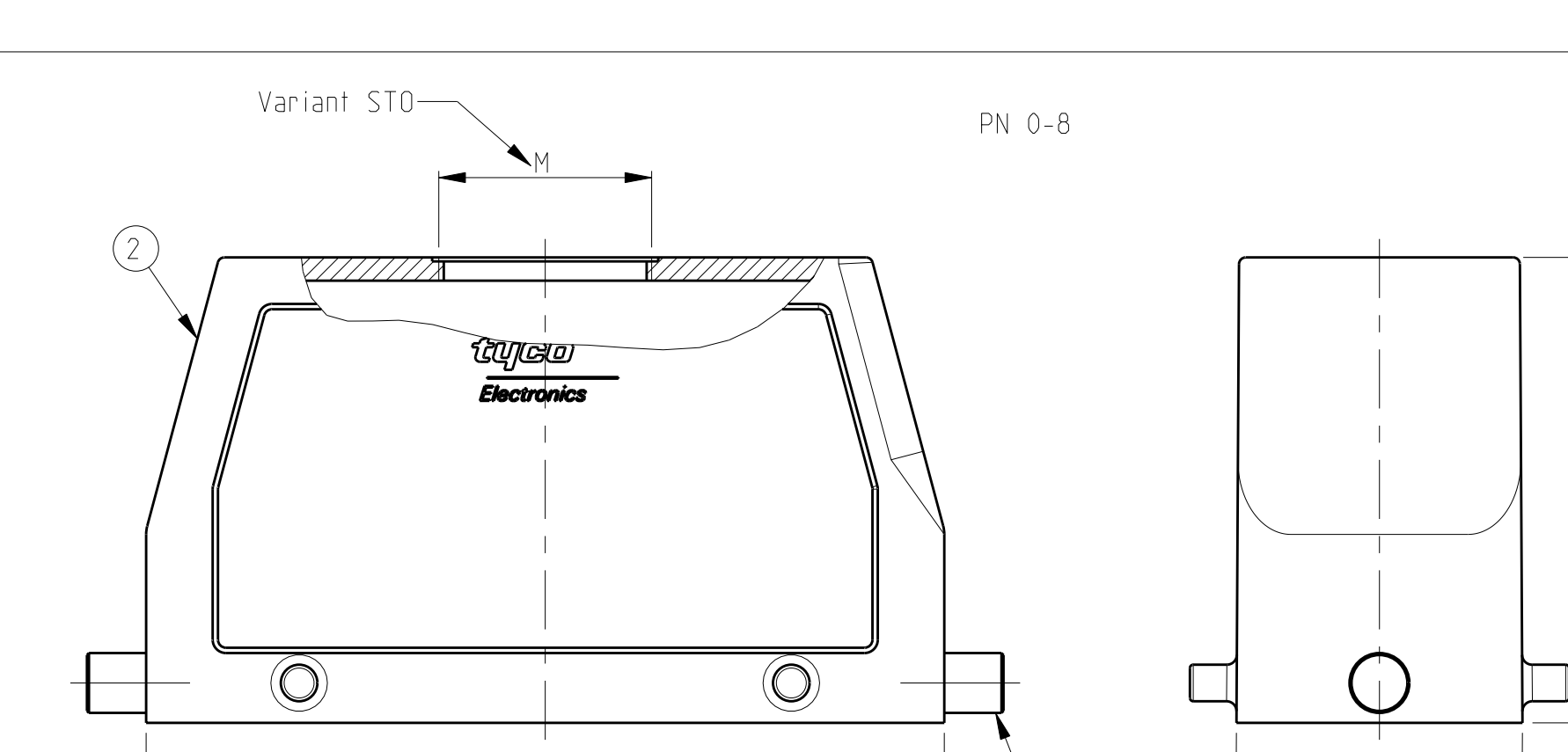
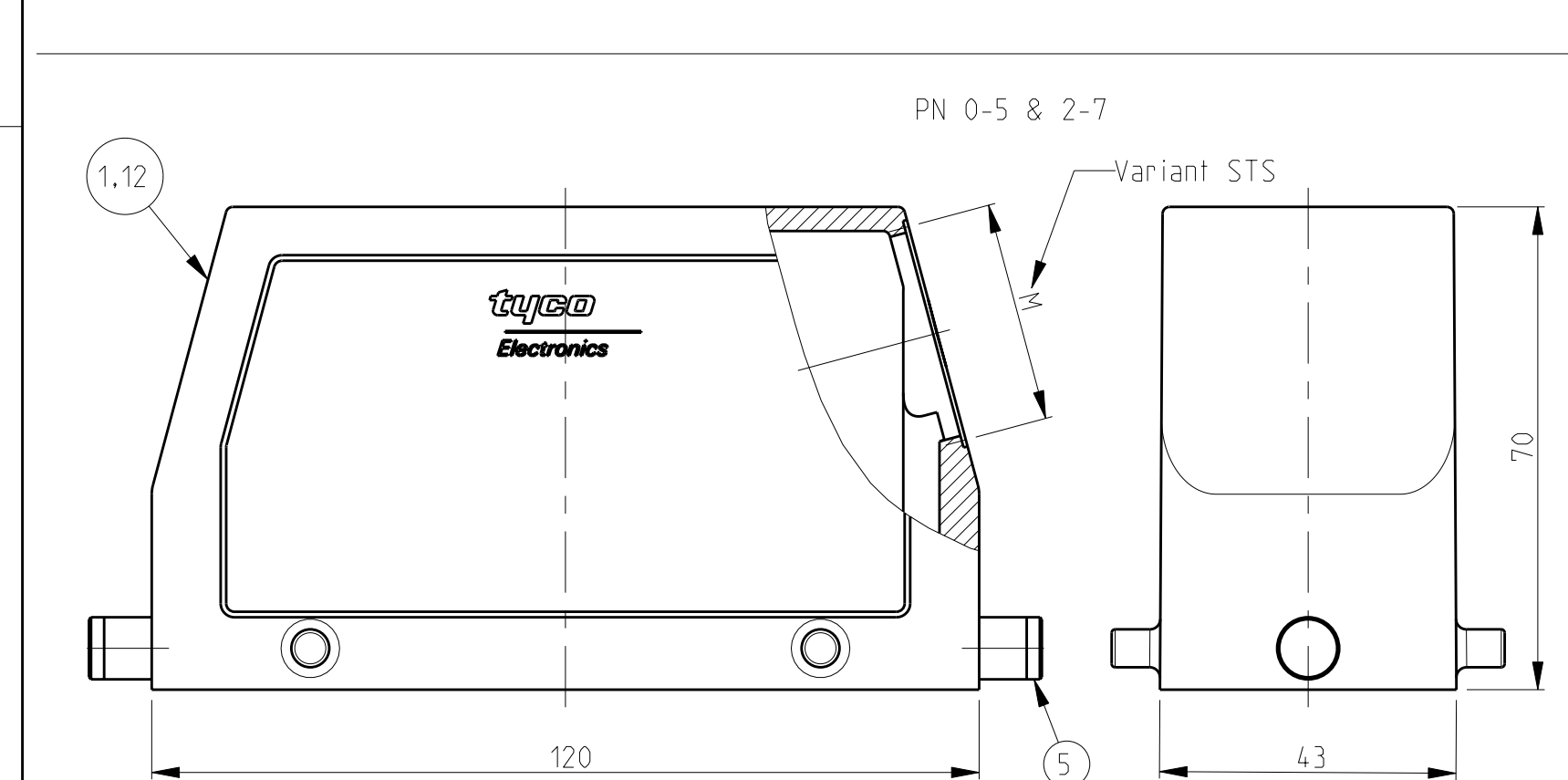
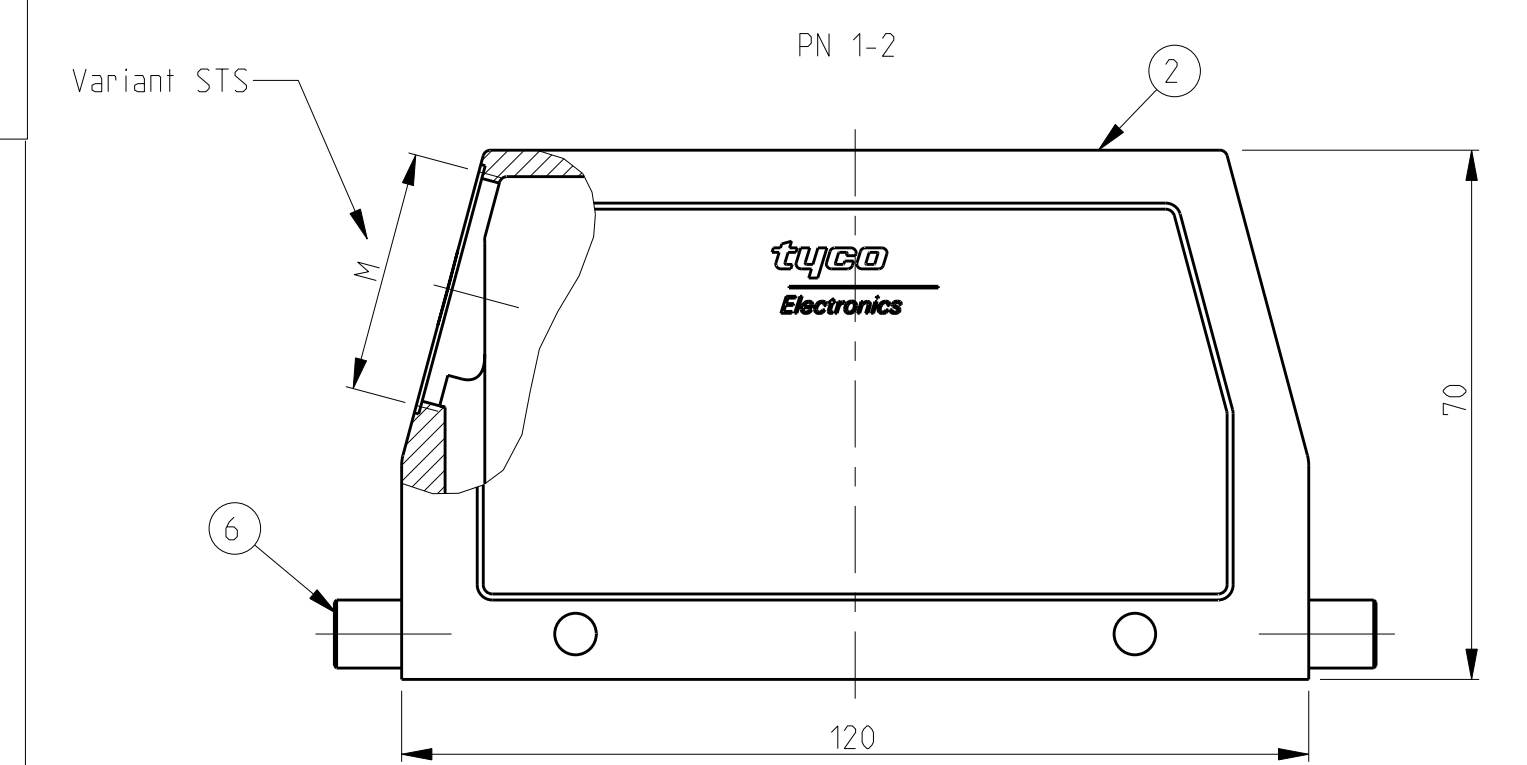
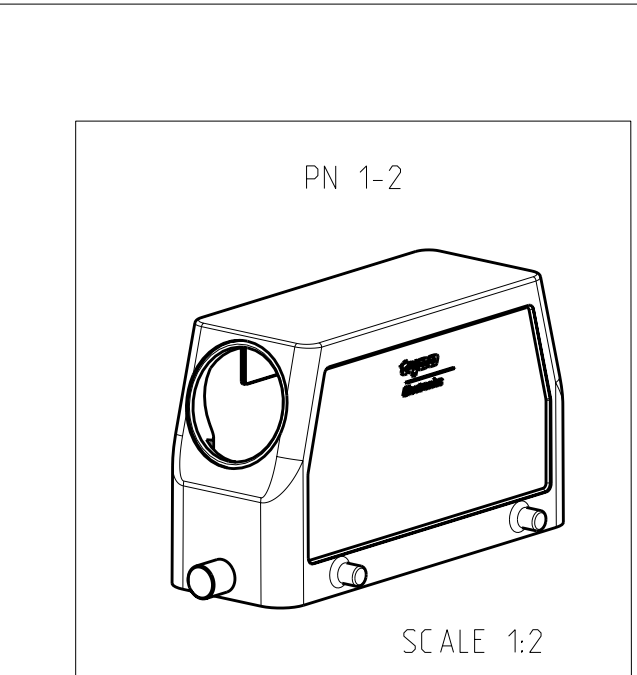
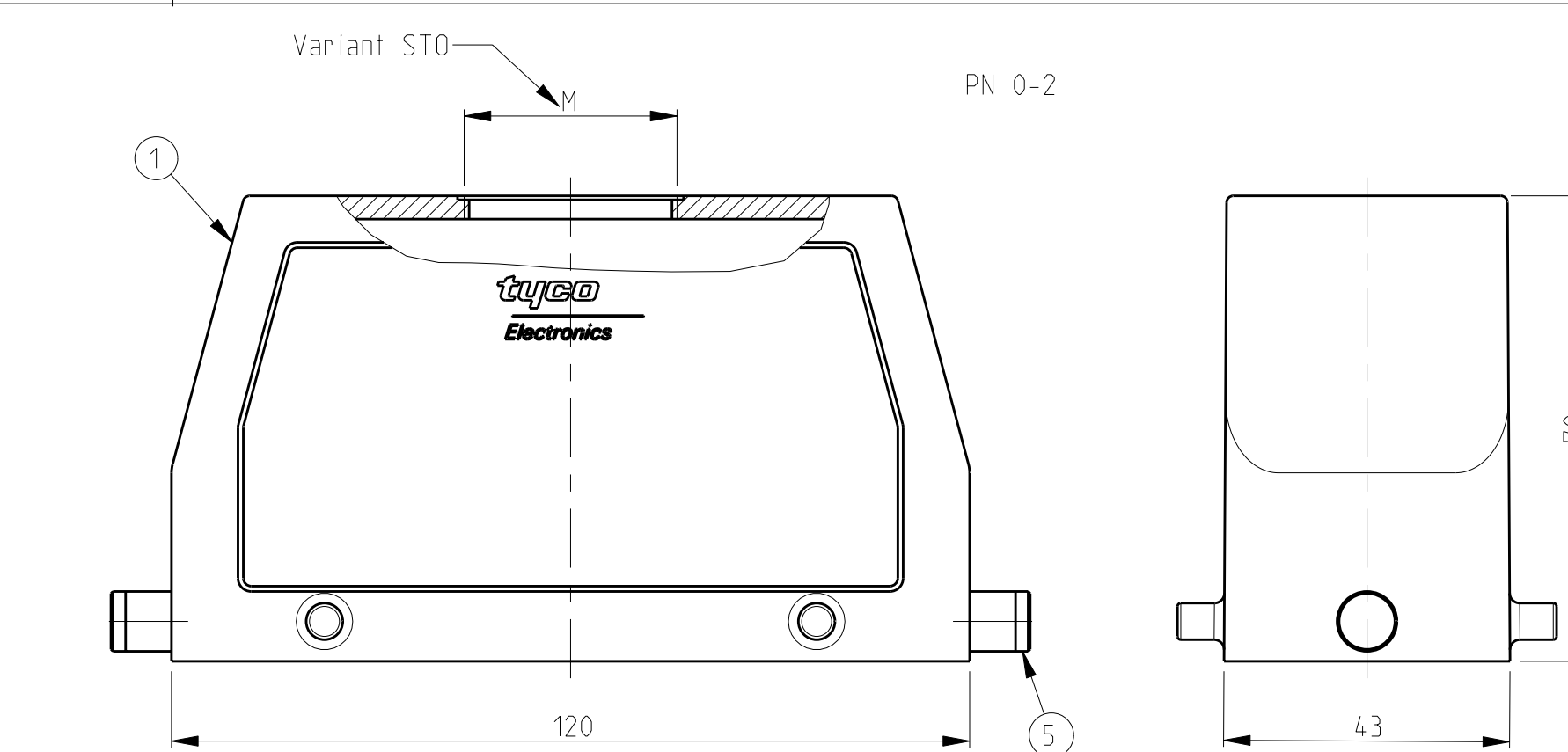
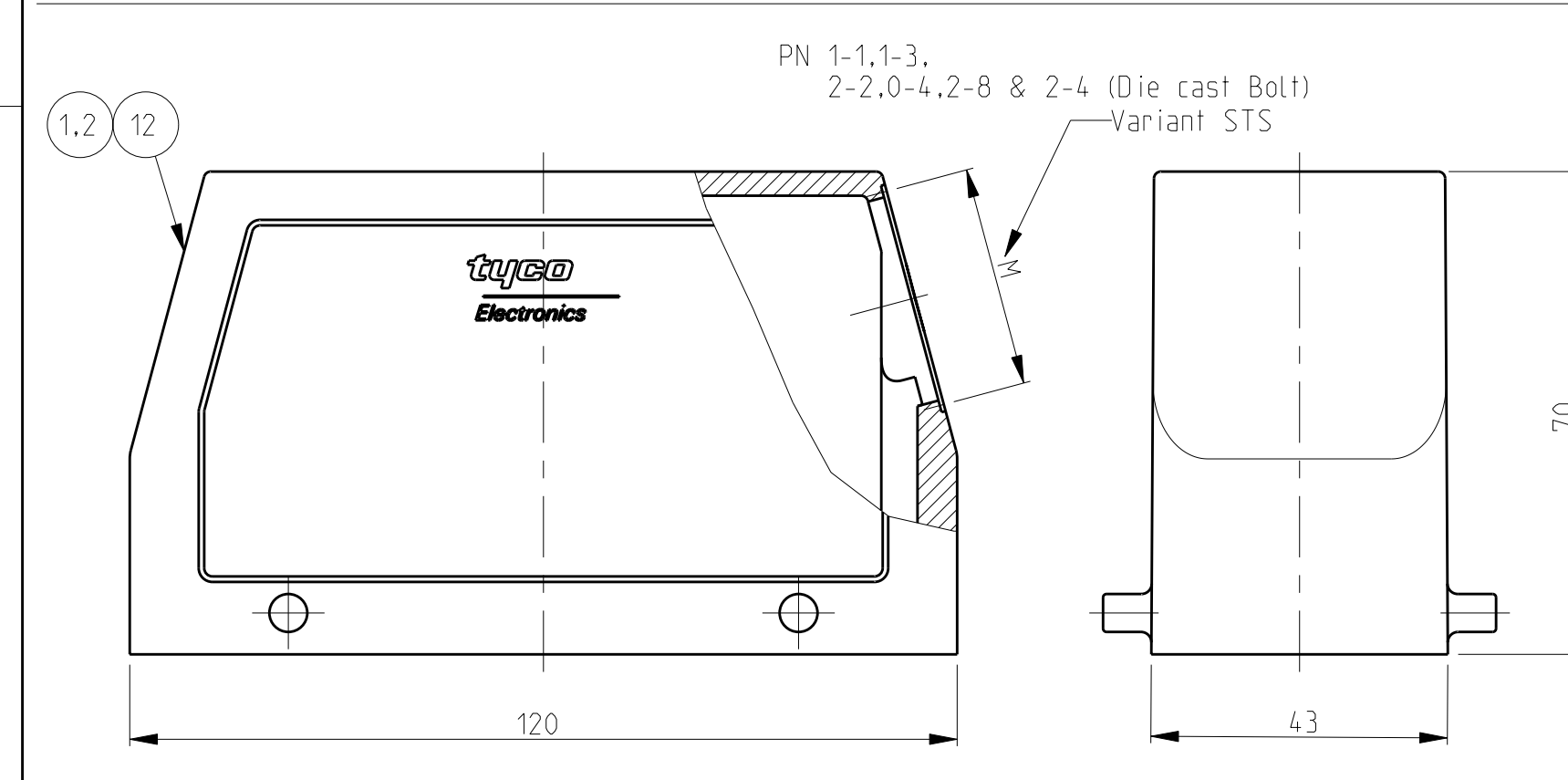


LOC		DIST		REVISIONS			
AI		P	LTB	DESCRIPTION	DATE	DWN	APVD
		A12		REVISED PER ECR-17-014013	14FEB2018	SRG	MKO

NOTES:

- Material:Housing:Aluminium Diecasting Alloy
- Surface-Powder Vannish Grey
-Aluminium Oxide +
Vannish Black
-Chromit Passivation +
Vannish Black
- Vannish on the inside not necessary
- Special Packaging
- Packaging
Quantity 5 Pieces in a box



NO	DESCRIPTION	MATERIAL	SURFACE	COLOR	ITEM NO	NOTES
1	HB-EMV Hood	Aluminium	Aluminium Chromated	Black	12	
2	HB Hood	Aluminium		Grey	11	2xM32
3	ZB Central clip	Stainless Steel	Blank	Blue	10	
4	ZB Central clip	Steel	Zinc Plated	Blue	9	
5	YS Locking clip	Stainless Steel	Blank	Blue	8	
6	YS Locking clip	Steel	Zinc Plated	Blue	7	
7	LB Clip bolt	Stainless Steel	Blank	Blue	6	
8	LB Clip bolt	Steel	Zinc Plated	Blue	5	
9	VS Locking clip bolt	Stainless Steel	Blank	Grey	4	
10	HB-EMV Hood	Aluminium		Grey	1	
11	HB-K Hood	Aluminium	Aluminium Oxide	Black	2	
12	HB Hood	Aluminium		Grey	1	

DATE: 01.08.2000
DWN: Schneider
CHK: Schwegler
APVD: Schwegler

PRODUCT SPEC: 108-74001
108-74003
APPLICATION SPEC: 114-74001
114-74004

WEIGHT: -
CUSTOMER DRAW ING

SCALE: 1:1 SHEET: 1 OF 1 REV: A12

Mouser Electronics

Authorized Distributor

Click to View Pricing, Inventory, Delivery & Lifecycle Information:

[TE Connectivity:](#)

[1-1106465-1](#)