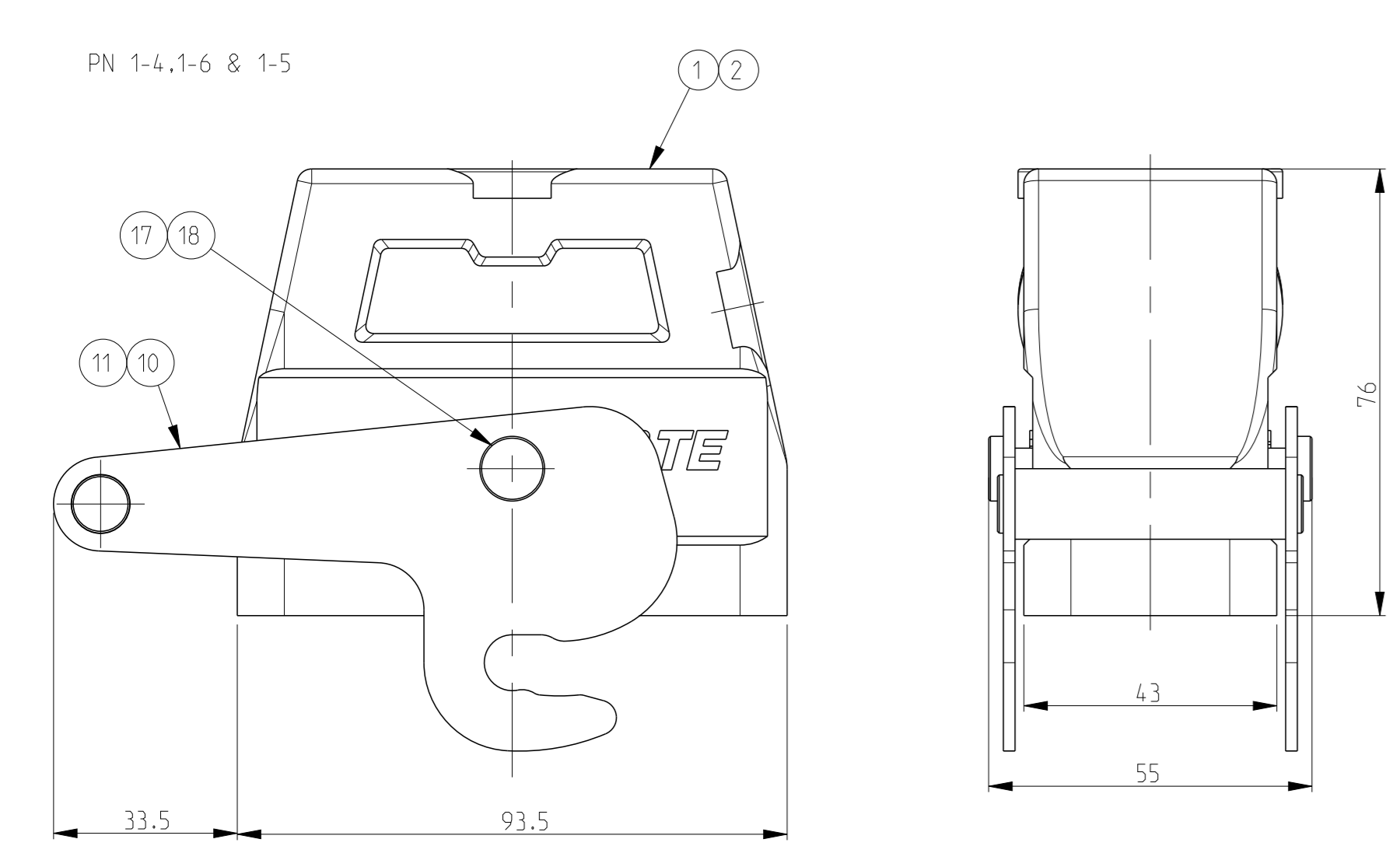
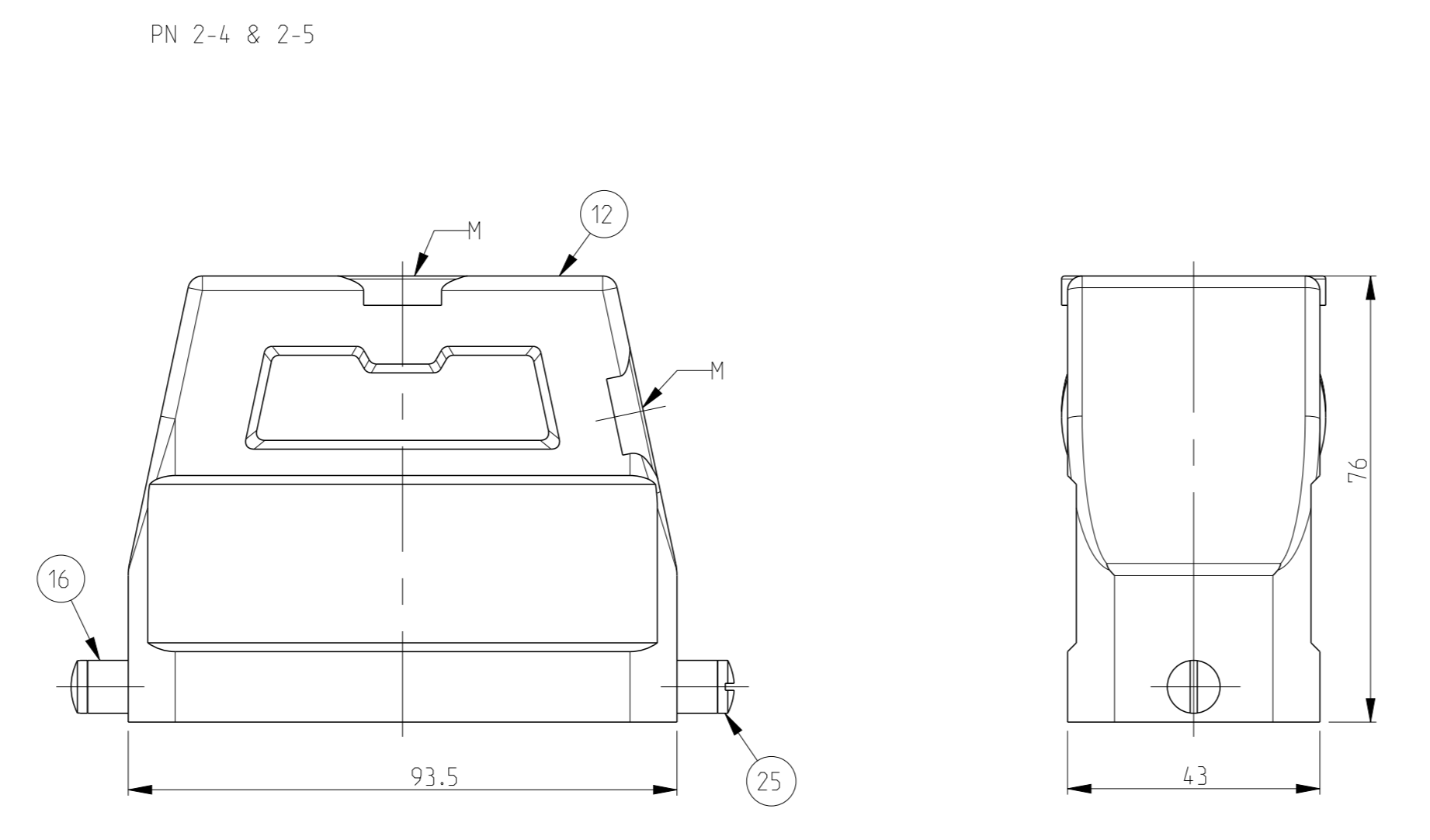
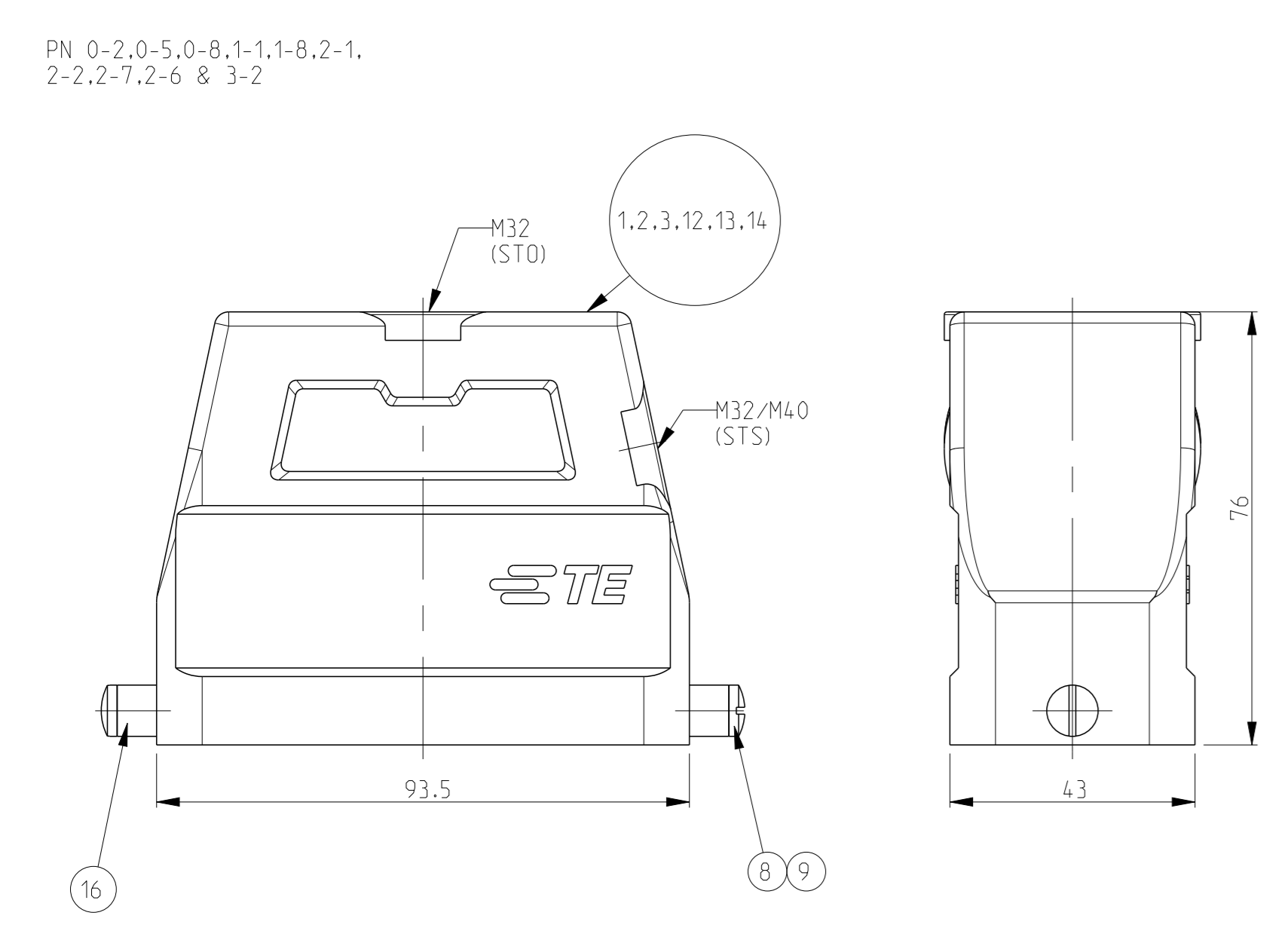
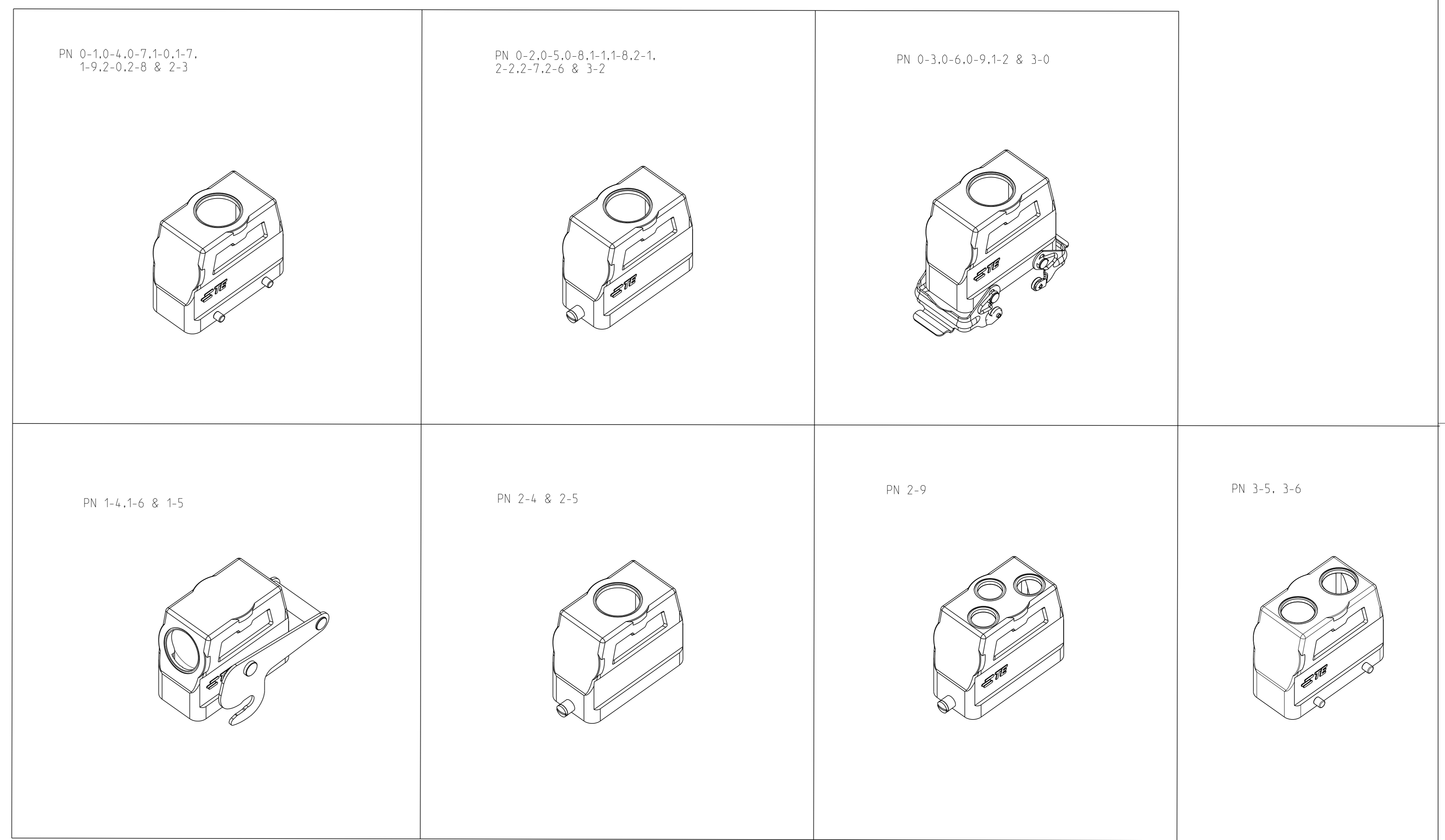
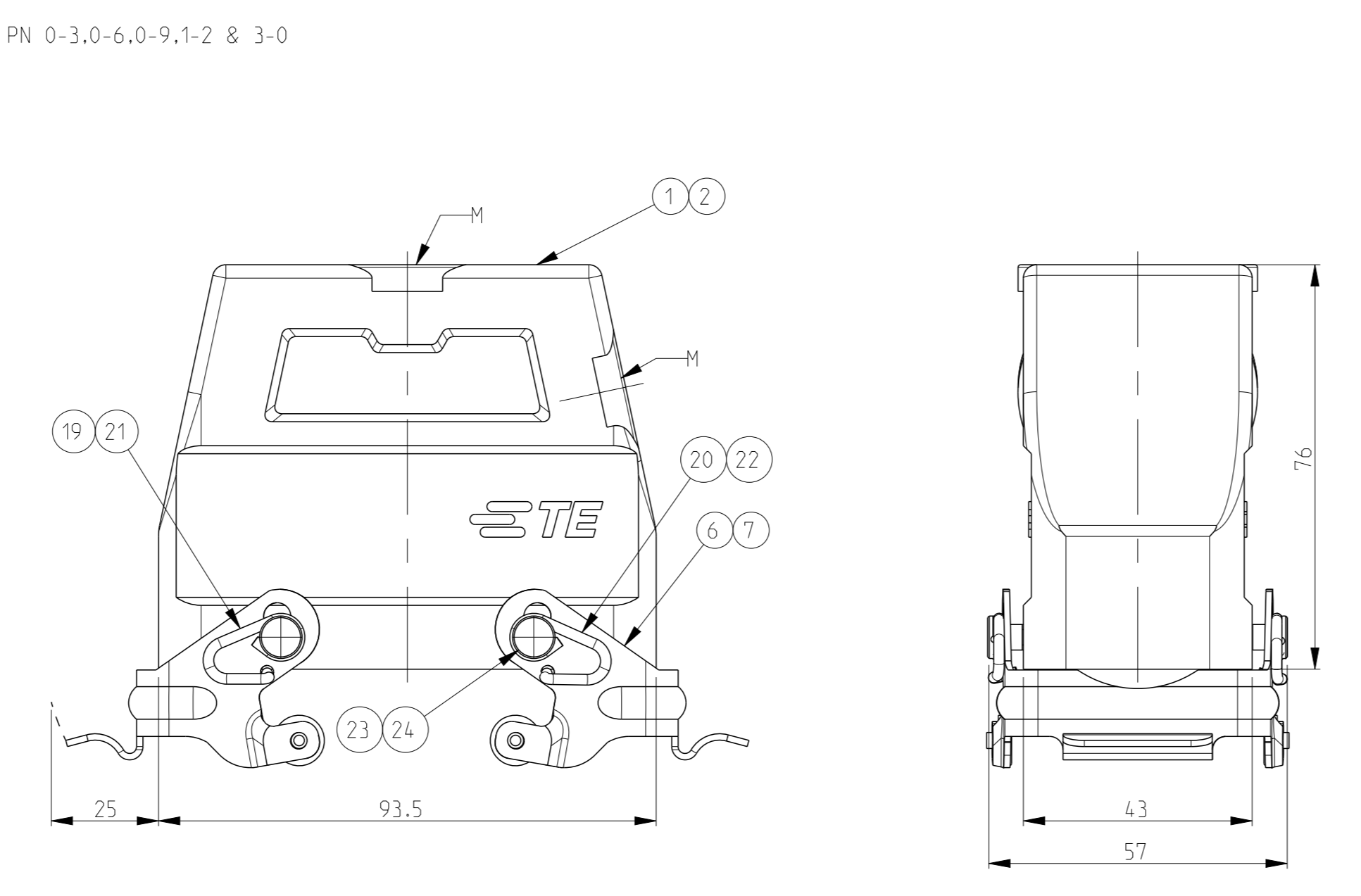
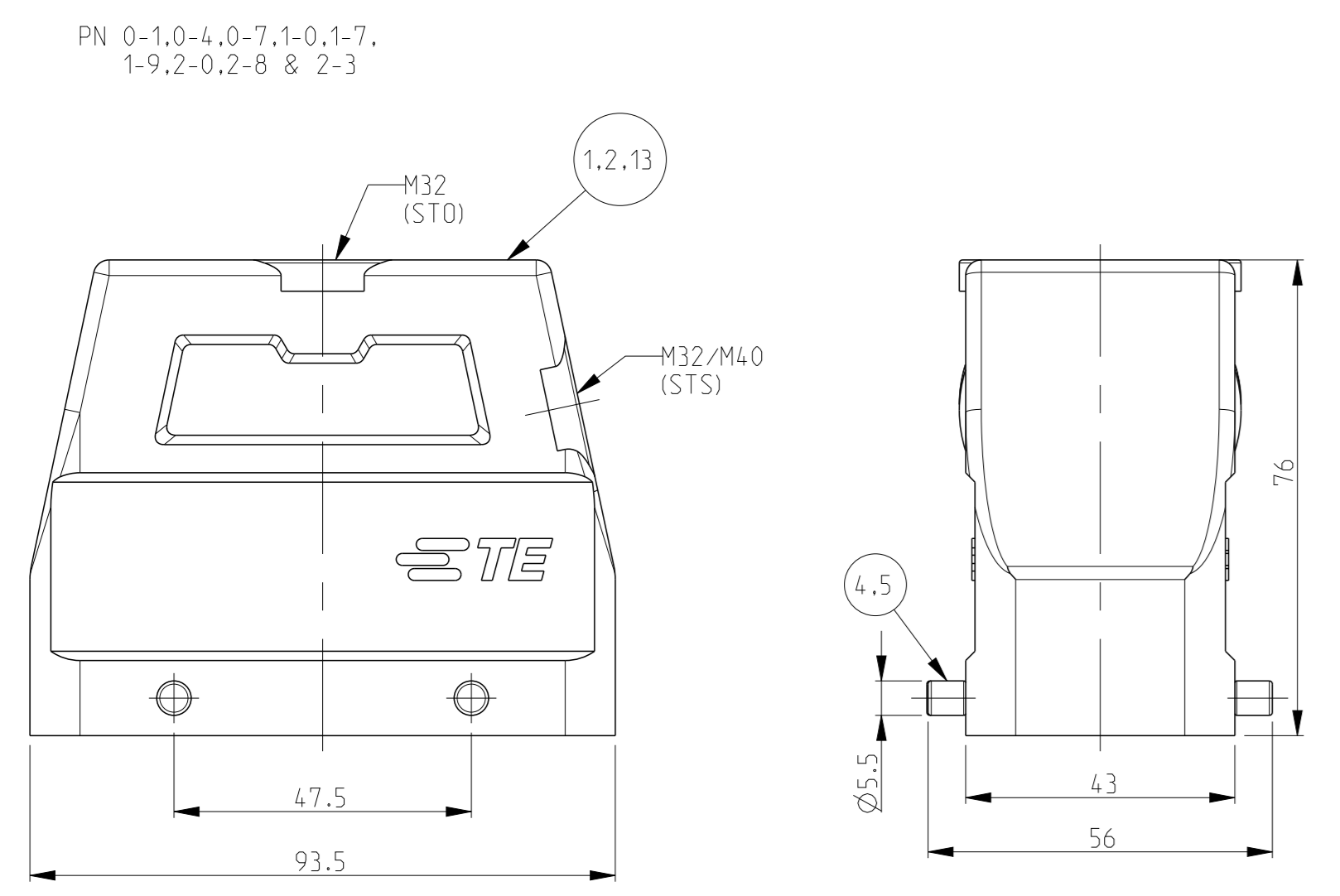
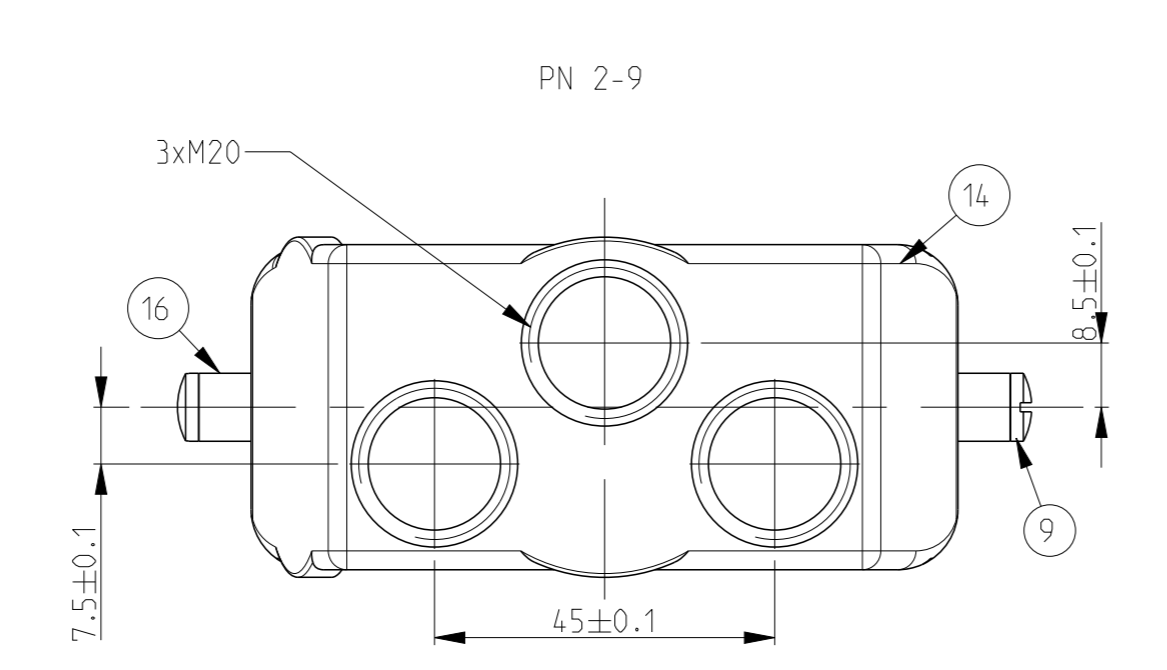
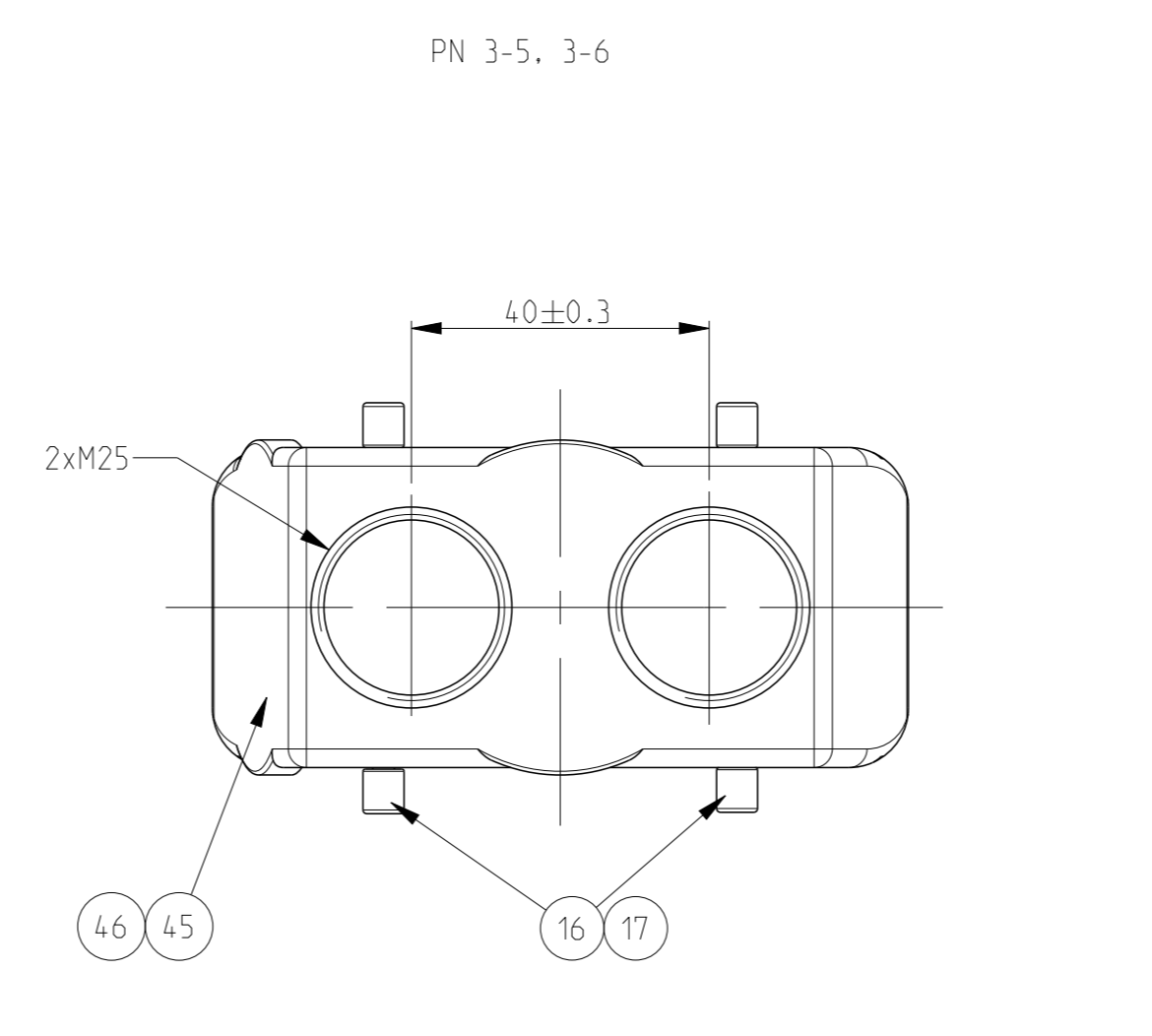
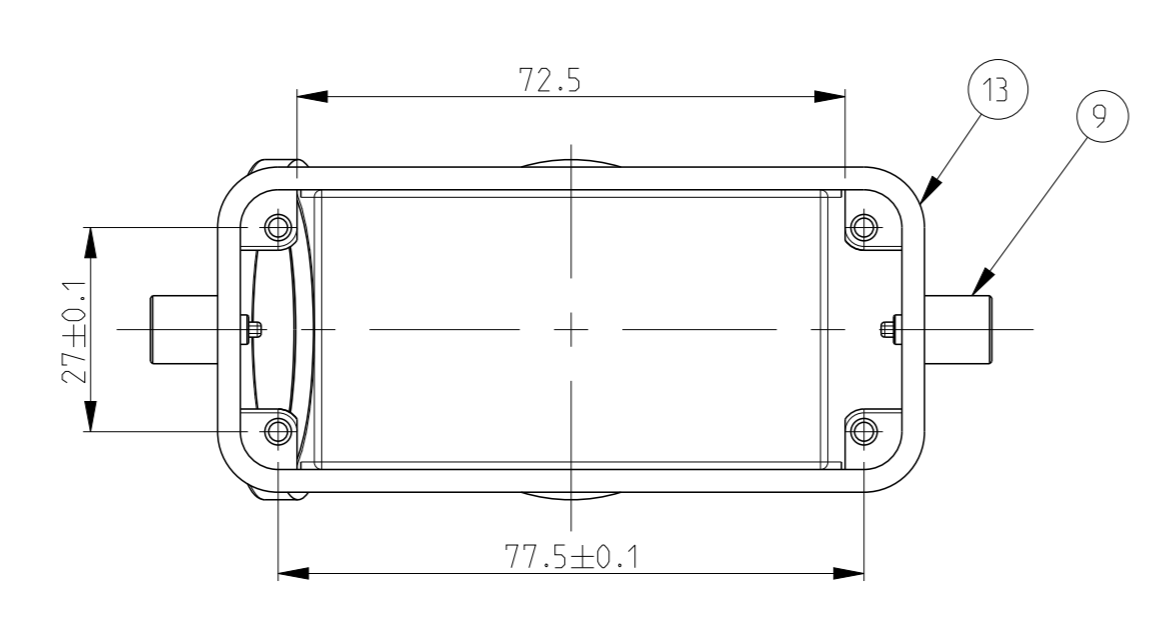


REV	DATE	DESCRIPTION	BY	APPD
A18	ECR-14-014129		29SEP2014	GR MKO
A19	ECR-15-000619		21AUG2015	GR MKO
A20	ECR-16-016696		18SEP2017	GR MKO
A21	REVISED PER ECR-16-016780		30JAN2018	SRG MKO
A22	ECR-17-014013		23MAR2018	SG MKO



Valid only for PN 2-7 and 2-8
 Landing at measure 72.5 (20mm Deep) milled off : bothsides



REV	DATE	DESCRIPTION	BY	APPD	MATERIAL	SURFACE	COLOR	ITEM NO	NOTES
4					HD-K HOOD	ALUMINIUM	BLACK	46	M5
4					HD HOOD	ALUMINIUM	GREY	45	
1					HD HOOD	ALUMINIUM		44	WITHOUT LOGO&DRILLING
1					HD HOOD	ALUMINIUM		43	WITHOUT LOGO&DRILLING
1					HD HOOD	ALUMINIUM	UNPAINTED	41	SINGLE PART
2					HD HOOD	ALUMINIUM	GREY	40	3xM20
2					LD-CLIP BOLT	STEEL	ZINC PLATED	39	M5
2					HD-K HOOD	ALUMINIUM	ALUMINIUM OXIDE	38	
2					HD-K HOOD	ALUMINIUM	ALUMINIUM OXIDE	37	
2					HD HOOD	ALUMINIUM	GREY	36	WITH OUT TE-LOGO
2					HD HOOD	ALUMINIUM	GREY	35	WITH OUT TE-LOGO
2					HD HOOD	ALUMINIUM	GREY	34	WITH OUT TE-LOGO
2					HD HOOD	ALUMINIUM	GREY	33	
2					ZB-CLIP POSITIONER	STAINLESS STEEL		32	
2					ZB-CLIP POSITIONER	STEEL	ZINC PLATED	31	
2					ZB-LOCKING CLIP	STAINLESS STEEL	BLANK	30	
2					ZB-LOCKING CLIP	STEEL	ZINC PLATED	29	
2					LD-SLIDE SPOOL	STEEL	ZINC PLATED	28	
2					LD-CLIP BOLT	STAINLESS STEEL	BLANK	27	
2					LD-CLIP BOLT	STEEL	ZINC PLATED	26	
2					VS-CLIP SPRING RIGHT	STAINLESS STEEL	BLANK	25	
2					VS-CLIP SPRING RIGHT	STEEL	ZINC PLATED	24	
2					VS-CLIP SPRING LEFT	STAINLESS STEEL	BLANK	23	
2					VS-CLIP SPRING LEFT	STEEL	ZINC PLATED	22	
2					VS-CLIP POSITIONER	STAINLESS STEEL	BLANK	21	
2					VS-CLIP POSITIONER	STEEL	ZINC PLATED	20	
2					VS-LOCKING CLIP	STAINLESS STEEL	BLANK	19	
2					VS-LOCKING CLIP	STEEL	ZINC PLATED	18	
2					VS-CLIP BOLT	STAINLESS STEEL	BLANK	17	
2					VS-CLIP BOLT	STEEL	ZINC PLATED	16	
2					HD HOOD	ALUMINIUM	GREY	15	WITH OUT TE-LOGO
2					HD HOOD	ALUMINIUM	GREY	14	WITH OUT TE-LOGO
2					HD HOOD	ALUMINIUM	GREY	13	WITH OUT TE-LOGO
2					HD HOOD	ALUMINIUM	GREY	12	WITH OUT TE-LOGO
2					HD HOOD	ALUMINIUM	GREY	11	
2					HD HOOD	ALUMINIUM	GREY	10	
2					HD-K HOOD	ALUMINIUM	ALUMINIUM OXIDE	9	
2					HD-K HOOD	ALUMINIUM	ALUMINIUM OXIDE	8	
2					HD-K HOOD	ALUMINIUM	ALUMINIUM OXIDE	7	
2					HD-K HOOD	ALUMINIUM	ALUMINIUM OXIDE	6	
2					HD-K HOOD	ALUMINIUM	ALUMINIUM OXIDE	5	
2					HD HOOD	ALUMINIUM	GREY	4	
2					HD HOOD	ALUMINIUM	GREY	3	
2					HD HOOD	ALUMINIUM	GREY	2	
2					HD HOOD	ALUMINIUM	GREY	1	

- NOTES
- ▲ MATERIAL-HOUSING ALUMINIUM DIECASTING ALLOY
 - ▲ SURFACE-POWDER VARNISH-GREY - VARNISH-BLACK
 - 3 VARNISH ON THE INSIDE NOT NECESSARY
 - ▲ WITH OUT TE LOGO
 - ▲ PACKAGING QUANTITY 5 PIECES IN A BOX

THIS DRAWING IS A CONTROLLED DOCUMENT. DATE: 16.01.2002
 DIMENSIONS: (mm) SCHNEIDER / SCHNEIDER
 PRODUCT SPEC: HOOD
 APPLICATION SPEC: HD.40.STO/STS.M32/M40.G
 MATERIAL: ALUMINIUM
 FINISH: -
 WEIGHT: -
 CUSTOMER DRAWING: A0 00779 ©=1106452
 SCALE: 1:1 SHEET 1 OF 1

Mouser Electronics

Authorized Distributor

Click to View Pricing, Inventory, Delivery & Lifecycle Information:

[TE Connectivity:](#)

[1-1106452-0](#)