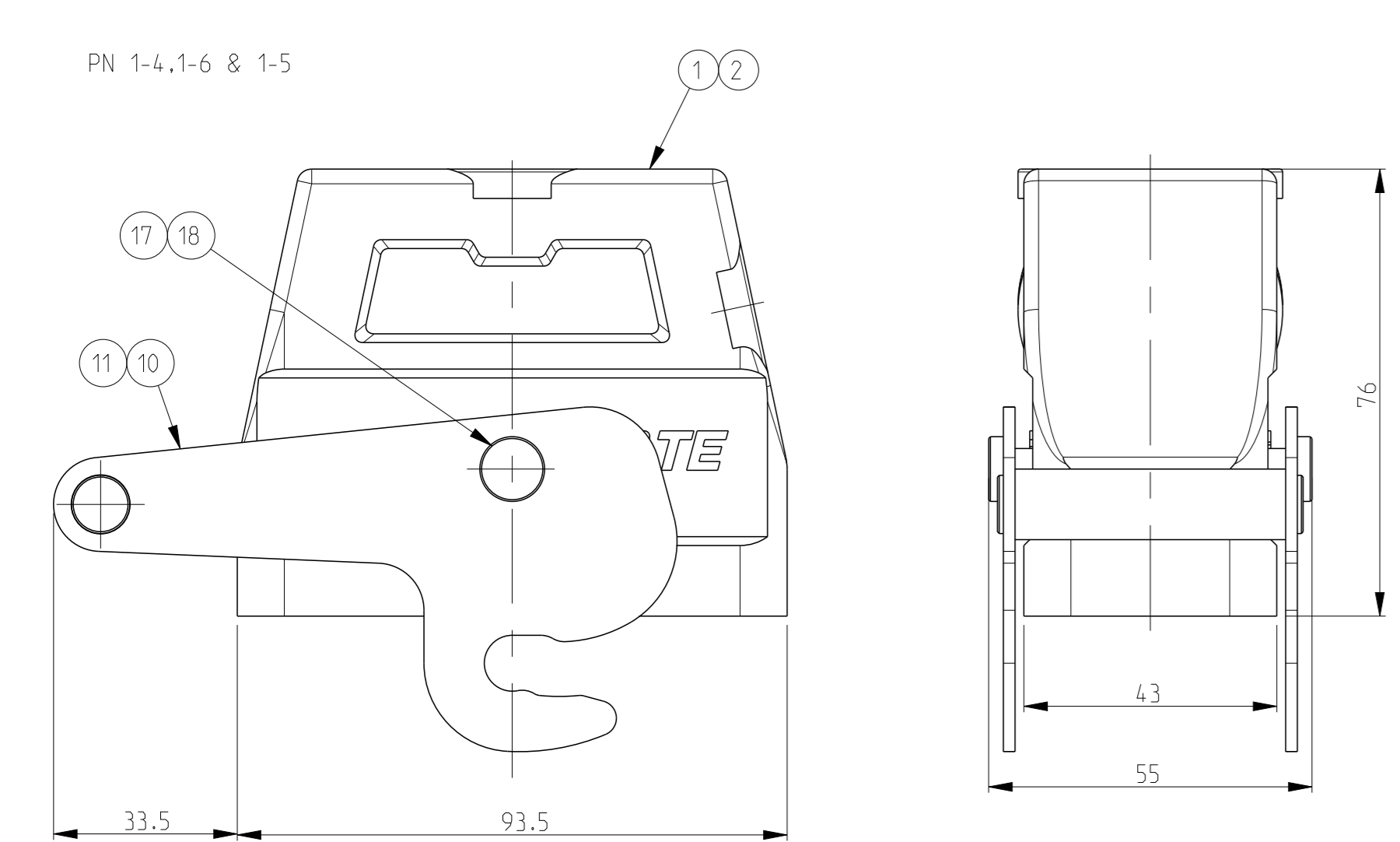
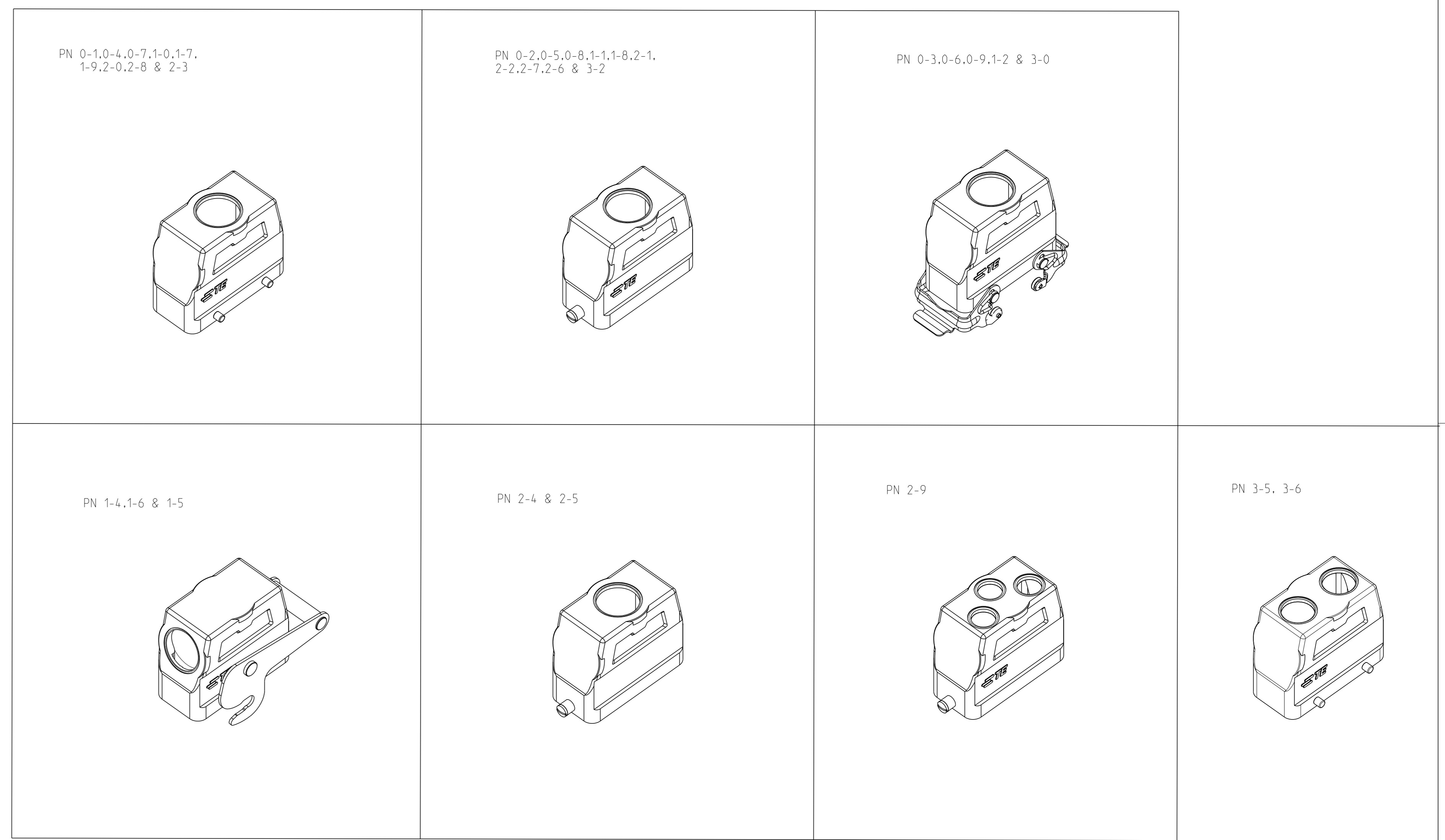
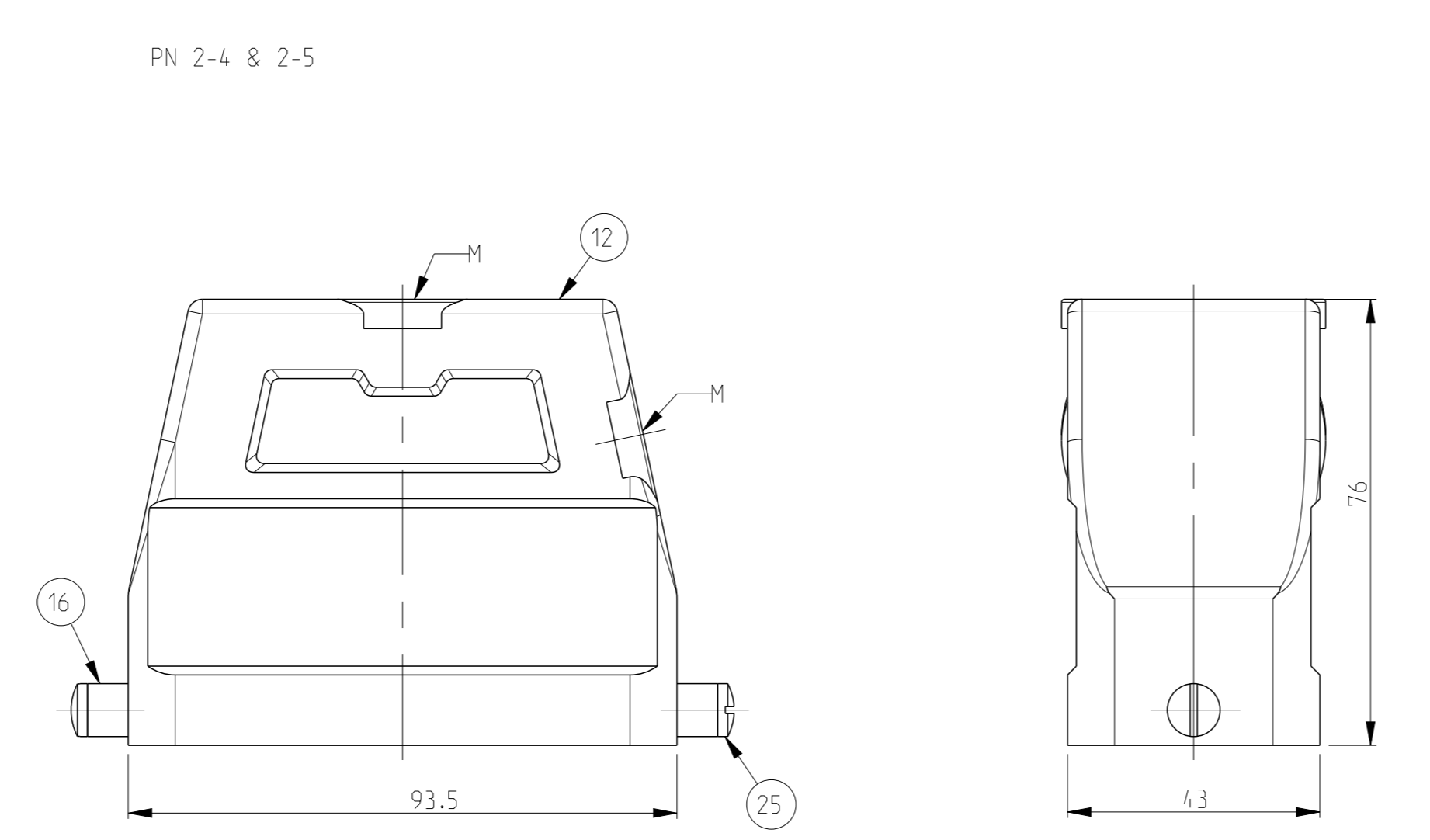
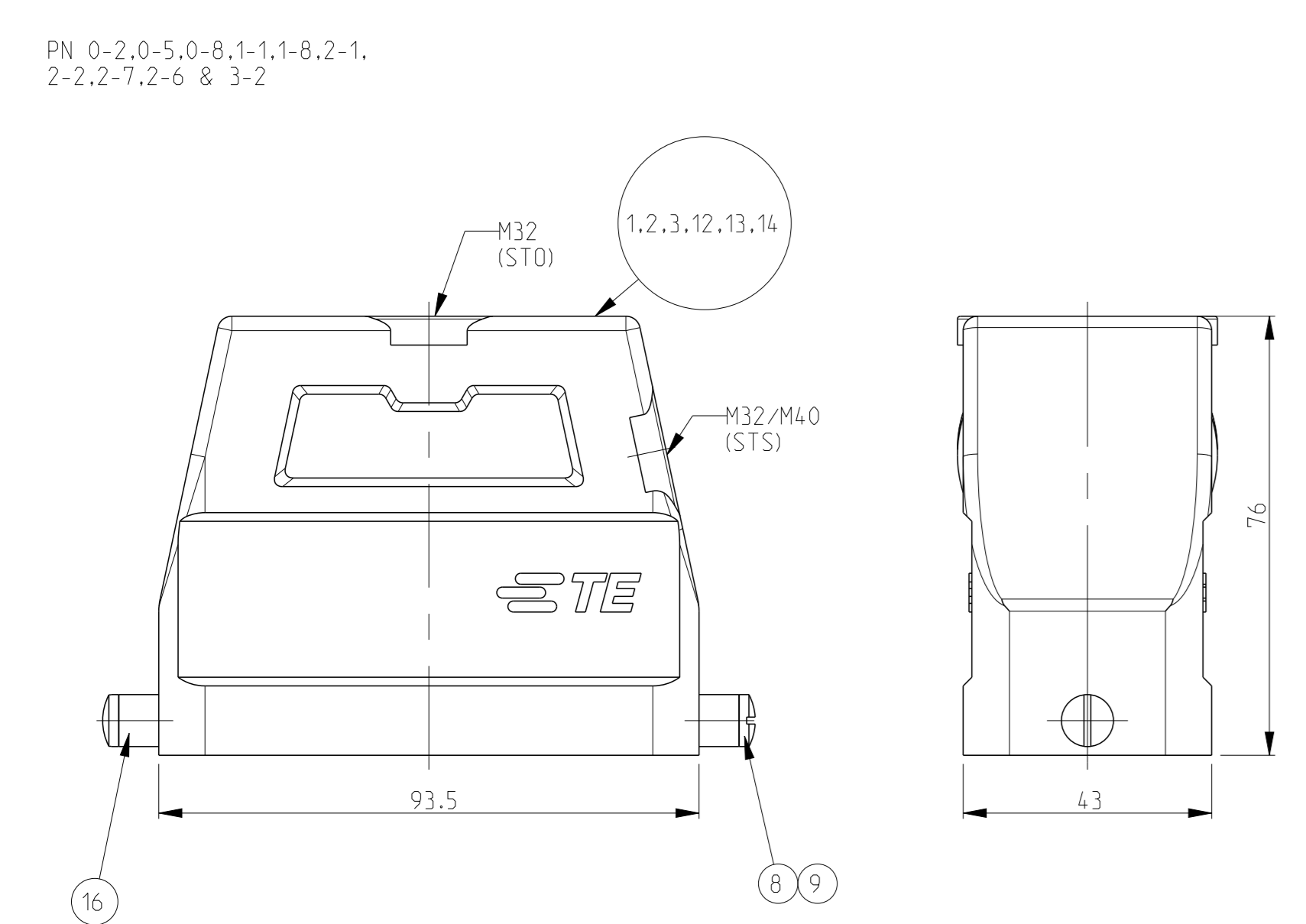
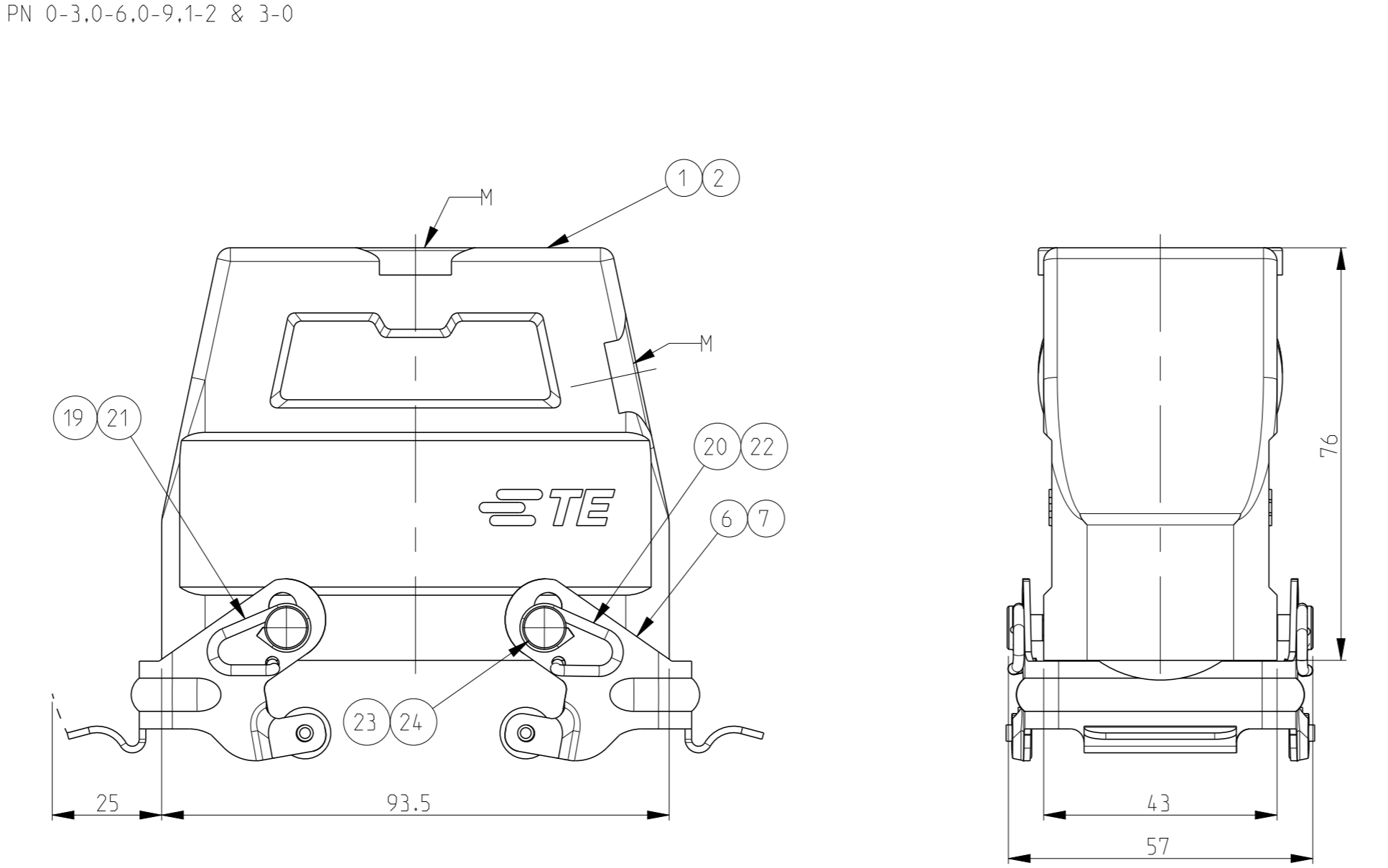
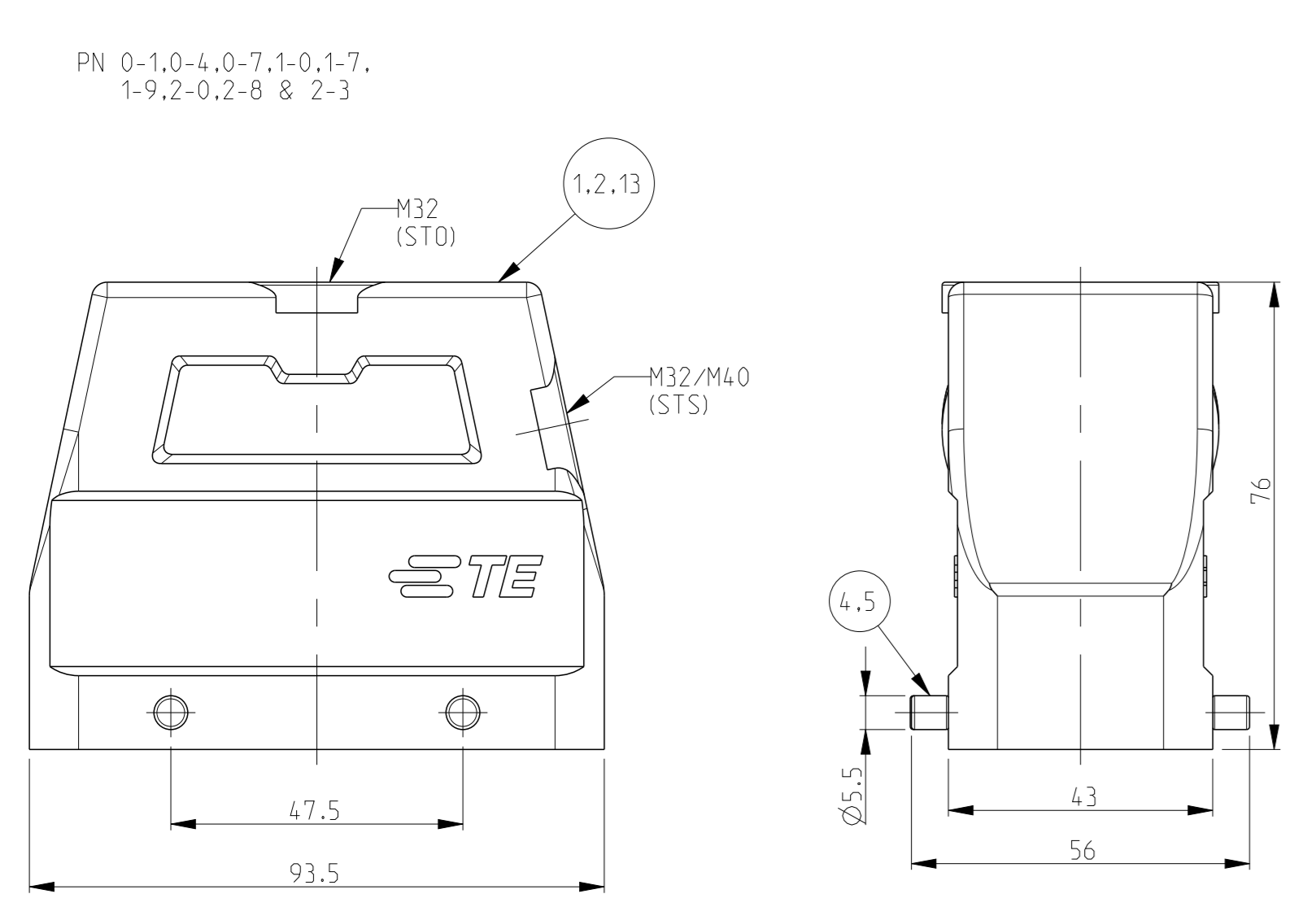
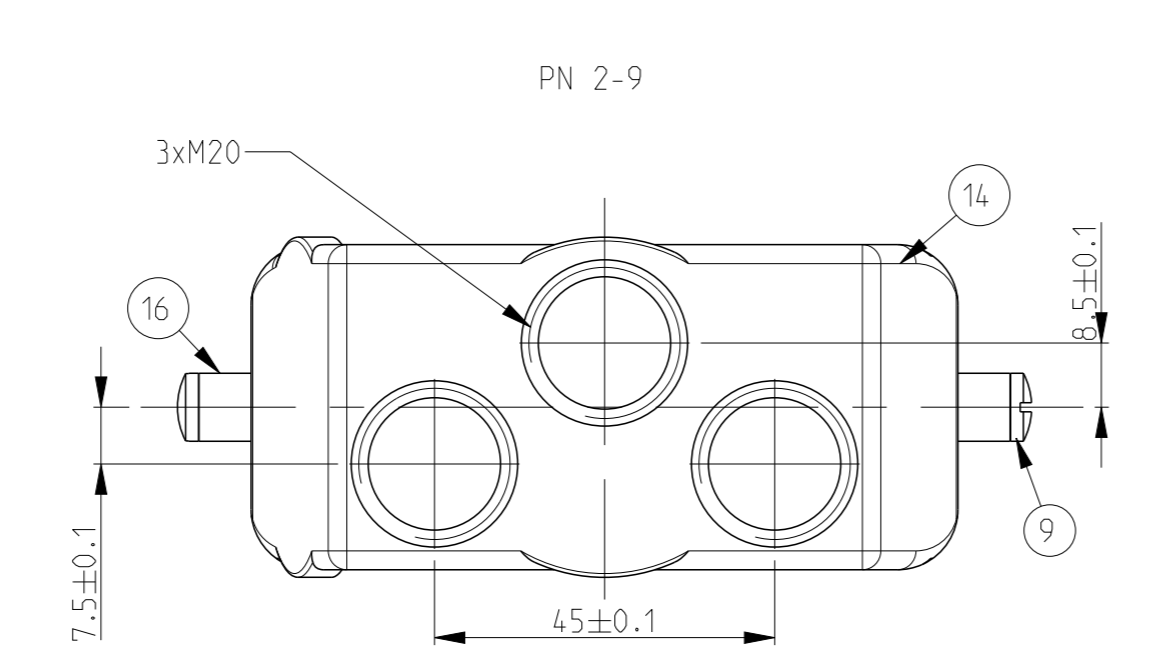
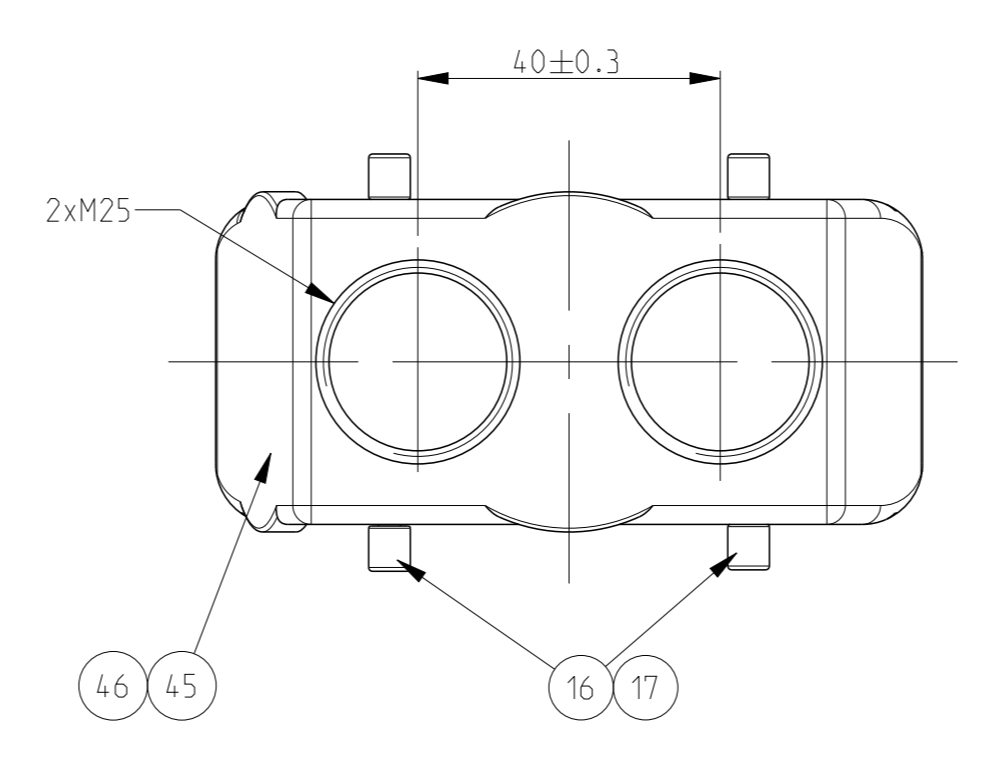
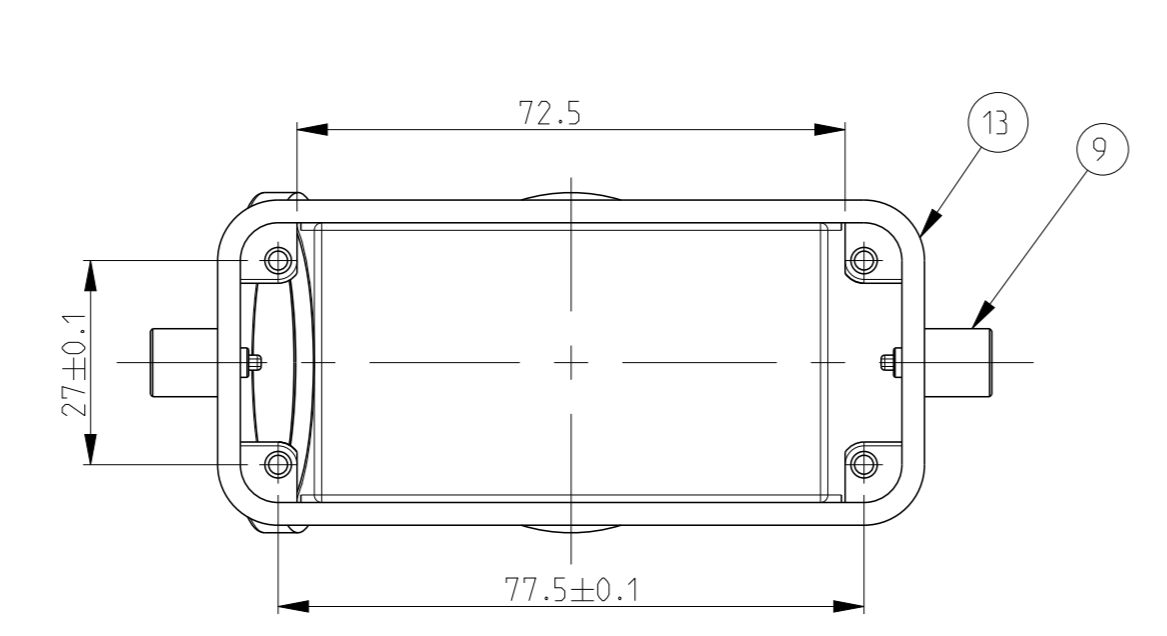


REV	DATE	DESCRIPTION	BY	APPD
A18	ECR-14-014129		29SEP2014	GR MKO
A19	ECR-15-000619		21AUG2015	GR MKO
A20	ECR-16-016696		18SEP2017	GR MKO
A21	REVISED PER ECR-16-016780		30JAN2018	SRG MKO
A22	ECR-17-014013		23MAR2018	SG MKO



Valid only for PN 2-7 and 2-8
 Landing at measure 72.5 (20mm Deep) milled off : bothsides



REV	DATE	DESCRIPTION	BY	APPD	MATERIAL	SURFACE	COLOR	ITEM NO	NOTES
1					HD-K HOOD	ALUMINIUM	BLACK	47	M5
2					HD HOOD	ALUMINIUM	GREY	46	
3					HD HOOD	ALUMINIUM	BLACK	45	
4					HD HOOD	ALUMINIUM	BLACK	44	WITHOUT LOGO&DRILLING
5					HD HOOD	ALUMINIUM	BLACK	43	WITHOUT LOGO&DRILLING
6					HD HOOD	ALUMINIUM	GREY	42	
7					HD HOOD	ALUMINIUM	UNPAINTED	41	SINGLE PART
8					HD HOOD	ALUMINIUM	GREY	40	3xM20
9					LB-CLIP BOLT	STEEL	ZINC PLATED	39	M5
10					HD-K HOOD	ALUMINIUM	ALUMINIUM OXIDE	38	
11					HD-K HOOD	ALUMINIUM	ALUMINIUM OXIDE	37	
12					HD HOOD	ALUMINIUM	BLACK	36	WITH OUT TE-LOGO
13					HD HOOD	ALUMINIUM	GREY	35	WITH OUT TE-LOGO
14					HD HOOD	ALUMINIUM	GREY	34	WITH OUT TE-LOGO
15					HD HOOD	ALUMINIUM	GREY	33	
16					ZB-CLIP POSITIONER	STAINLESS STEEL		32	
17					ZB-CLIP POSITIONER	STEEL	ZINC PLATED	31	
18					ZB-LOCKING CLIP	STAINLESS STEEL	BLANK	30	
19					ZB-LOCKING CLIP	STEEL	ZINC PLATED	29	
20					LB-SLIDE SPOOL	STEEL	ZINC PLATED	28	
21					LB-CLIP BOLT	STAINLESS STEEL	BLANK	27	
22					LB-CLIP BOLT	STEEL	ZINC PLATED	26	
23					VS-CLIP SPRING RIGHT	STAINLESS STEEL	BLANK	25	
24					VS-CLIP SPRING RIGHT	STEEL	ZINC PLATED	24	
25					VS-CLIP SPRING LEFT	STAINLESS STEEL	BLANK	23	
26					VS-CLIP SPRING LEFT	STEEL	ZINC PLATED	22	
27					VS-CLIP POSITIONER	STAINLESS STEEL	BLANK	21	
28					VS-CLIP POSITIONER	STEEL	ZINC PLATED	20	
29					VS-LOCKING CLIP	STAINLESS STEEL	BLANK	19	
30					VS-LOCKING CLIP	STEEL	ZINC PLATED	18	
31					VS-CLIP BOLT	STAINLESS STEEL	BLANK	17	
32					VS-CLIP BOLT	STEEL	ZINC PLATED	16	
33					HD HOOD	ALUMINIUM	GREY	15	WITH OUT TE-LOGO
34					HD HOOD	ALUMINIUM	GREY	14	WITH OUT TE-LOGO
35					HD HOOD	ALUMINIUM	GREY	13	WITH OUT TE-LOGO
36					HD HOOD	ALUMINIUM	GREY	12	WITH OUT TE-LOGO
37					HD HOOD	ALUMINIUM	GREY	11	
38					HD HOOD	ALUMINIUM	GREY	10	
39					HD-K HOOD	ALUMINIUM	ALUMINIUM OXIDE	9	
40					HD-K HOOD	ALUMINIUM	ALUMINIUM OXIDE	8	
41					HD-K HOOD	ALUMINIUM	ALUMINIUM OXIDE	7	
42					HD-K HOOD	ALUMINIUM	ALUMINIUM OXIDE	6	
43					HD-K HOOD	ALUMINIUM	ALUMINIUM OXIDE	5	
44					HD HOOD	ALUMINIUM	GREY	4	
45					HD HOOD	ALUMINIUM	GREY	3	
46					HD HOOD	ALUMINIUM	GREY	2	
47					HD HOOD	ALUMINIUM	GREY	1	

- NOTES
- ▲ MATERIAL-HOUSING ALUMINIUM DIECASTING ALLOY
 - ▲ SURFACE-POWDER VARNISH-GREY - VARNISH-BLACK
 - 3 VARNISH ON THE INSIDE NOT NECESSARY
 - ▲ WITH OUT TE LOGO
 - ▲ PACKAGING QUANTITY 5 PIECES IN A BOX

THIS DRAWING IS A CONTROLLED DOCUMENT. DATE: 16.01.2002. DRAWN BY: SCHNEIDER. CHECKED BY: SCHNEIDER.

STE TE Connectivity

HOOD HD.40.STO/STS.M32/M40.G

SCALE: 1:1

Mouser Electronics

Authorized Distributor

Click to View Pricing, Inventory, Delivery & Lifecycle Information:

[TE Connectivity:](#)

[1106452-4](#)