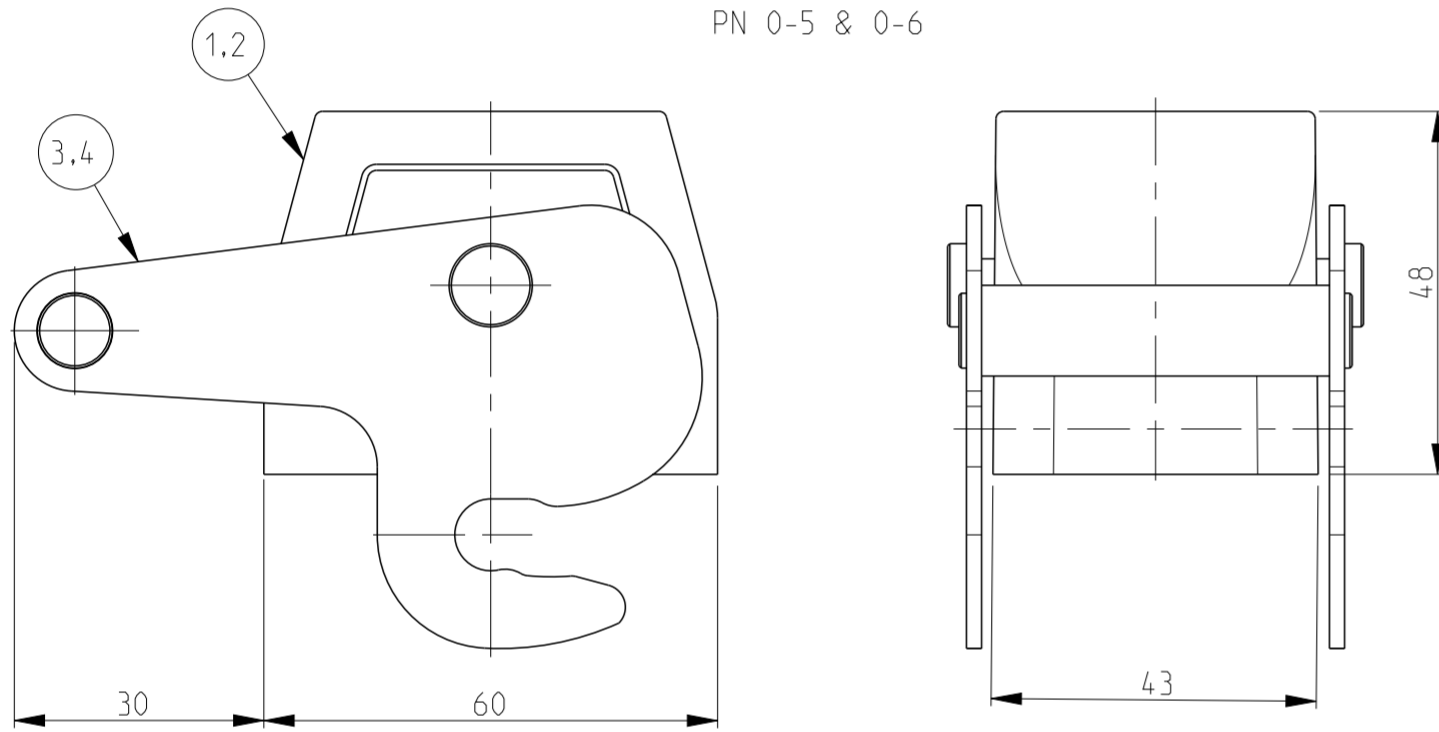
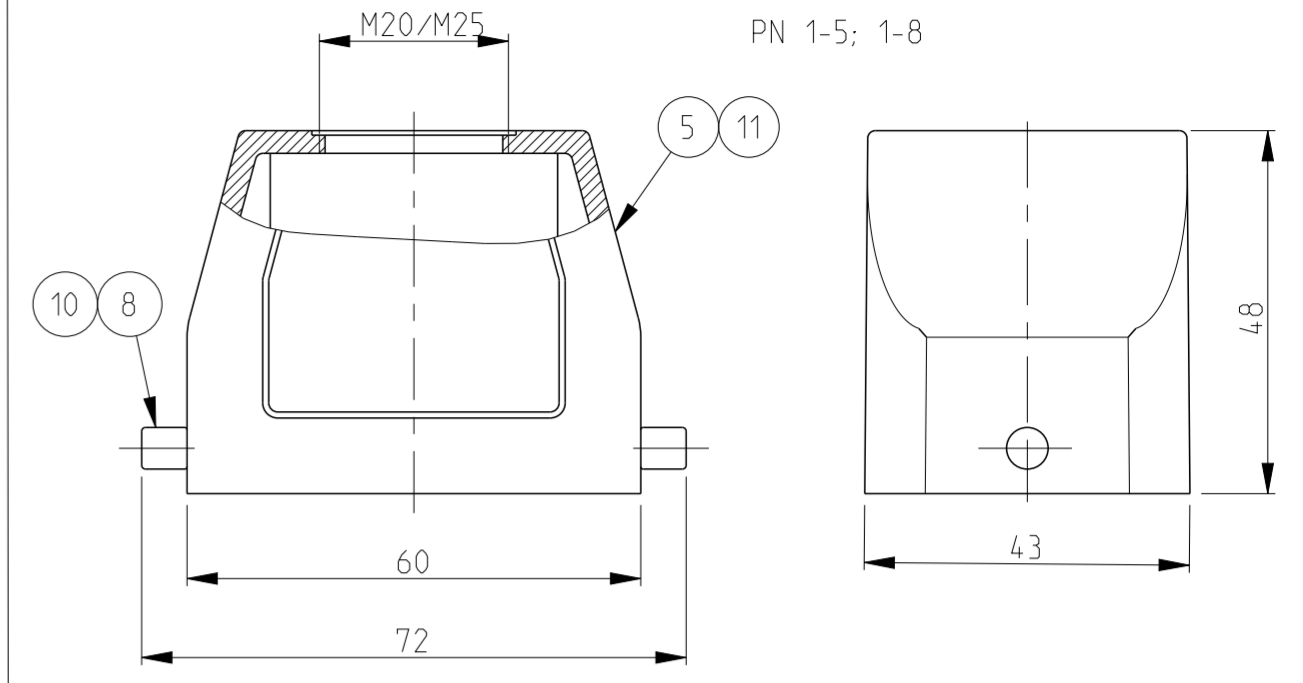
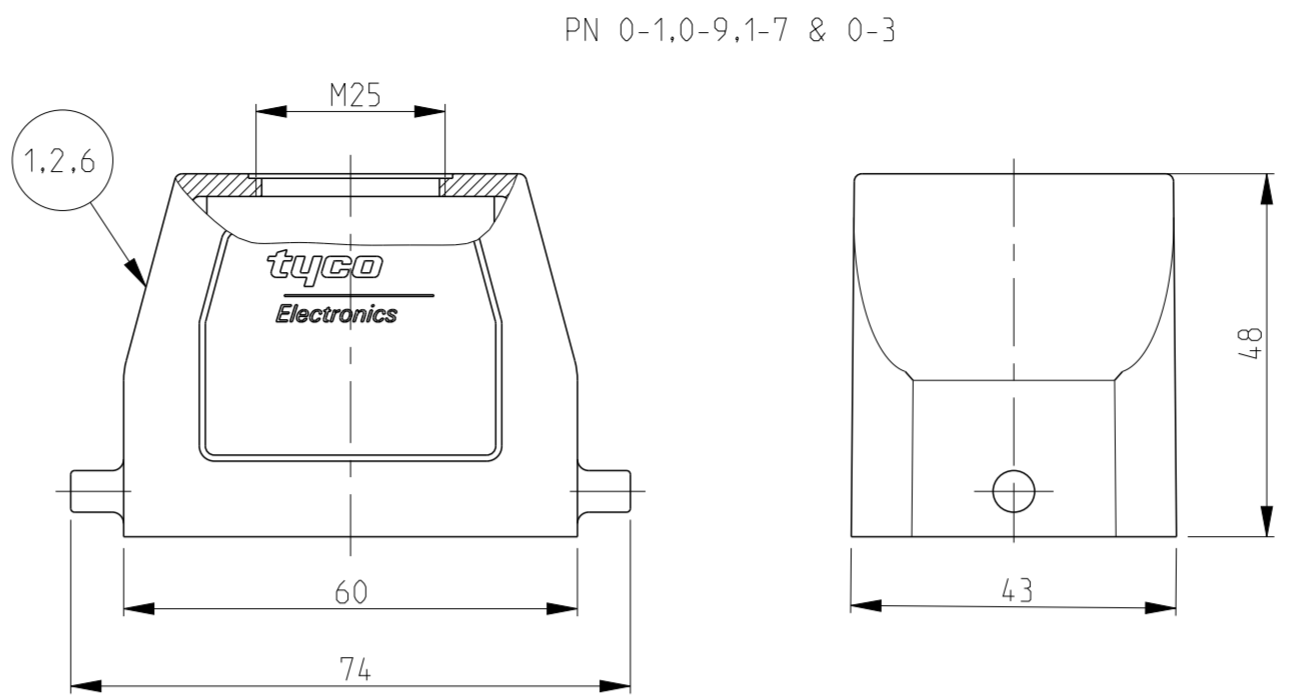
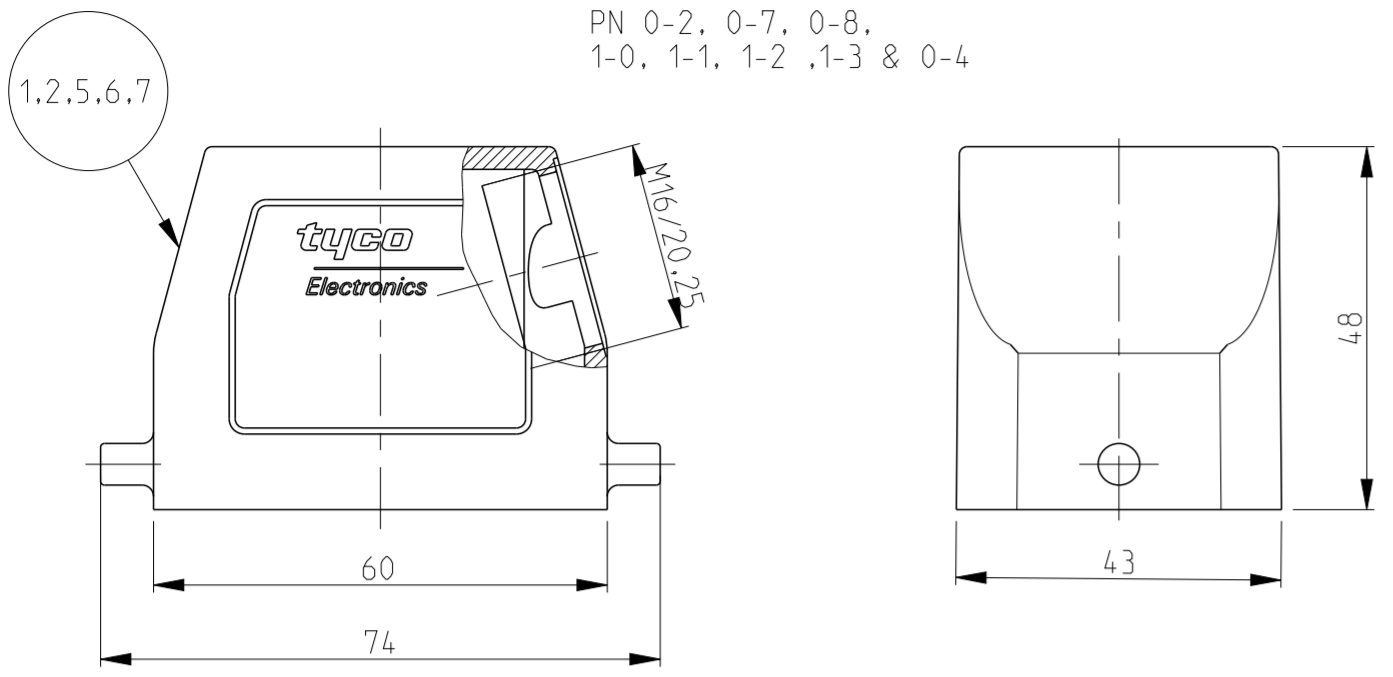
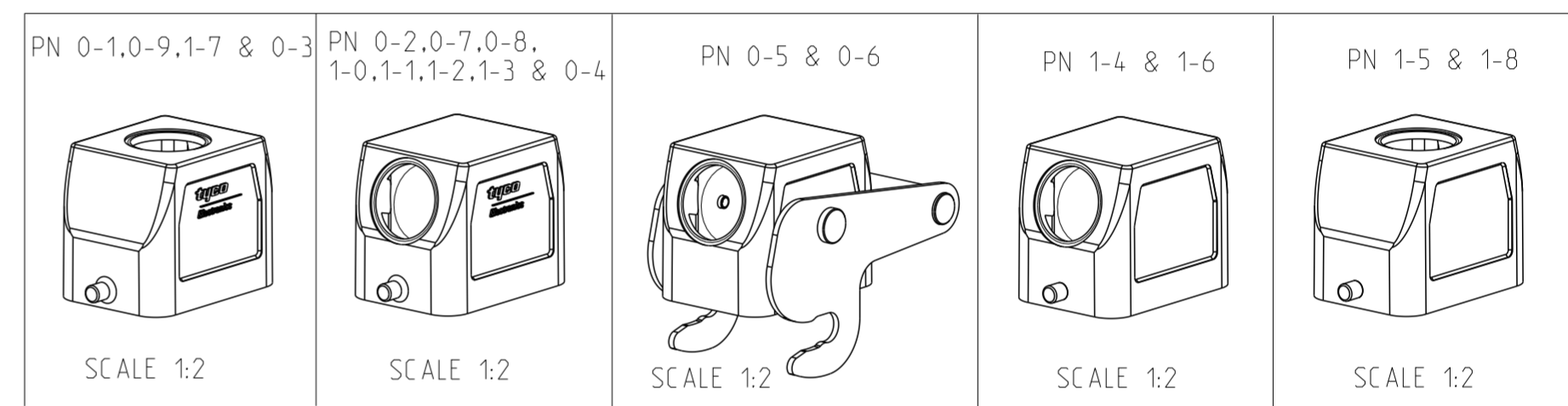


THIS DRAWING IS UNPUBLISHED. RELEASED FOR PUBLICATION 1997  
 © COPYRIGHT 1997 BY - ALL RIGHTS RESERVED.

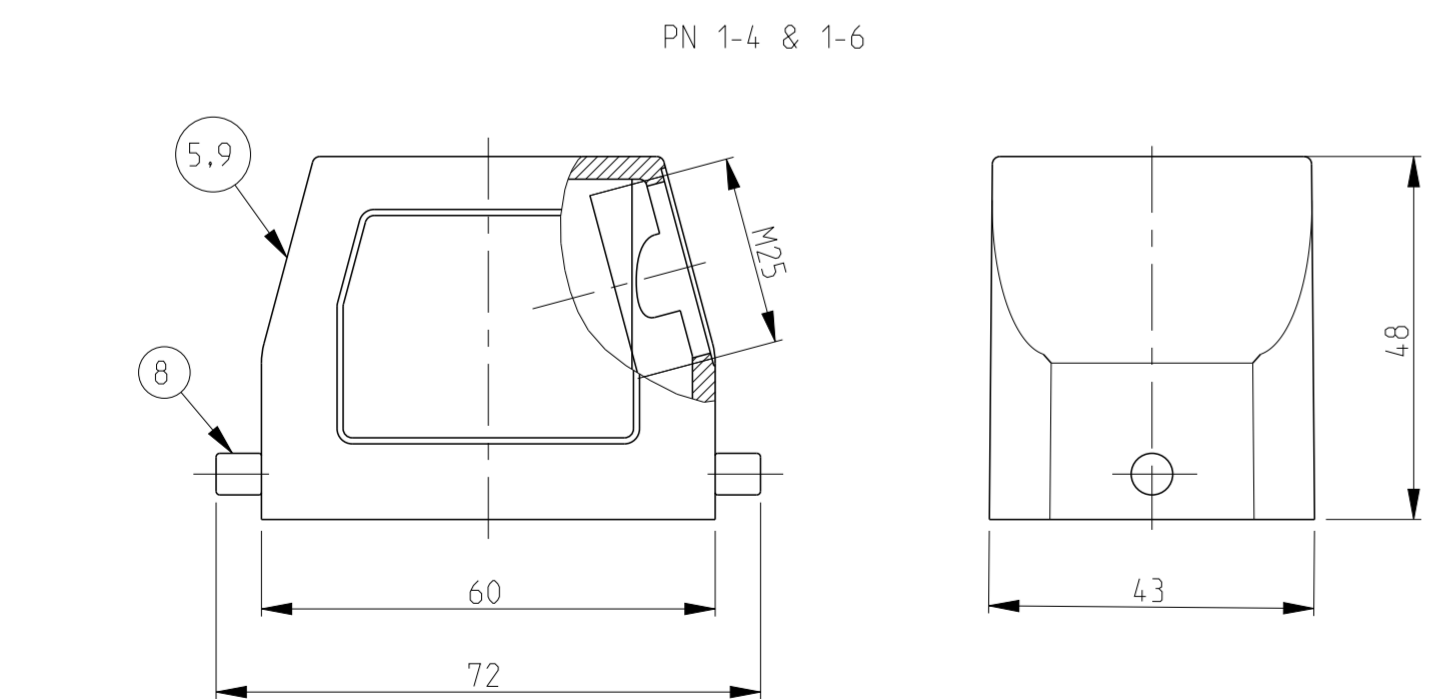
| REVISIONS |               |             |           |        |
|-----------|---------------|-------------|-----------|--------|
| P         | LTR           | DESCRIPTION | DATE      | APVD   |
| A15       | ECR-17-014013 |             | 26MAR2018 | SG MKO |



- Notes
- Material: Housing: Aluminium diecasting alloy
  - Surface: -Powder varnish-grey  
-Aluminium oxide+varnish black  
-chromit AL TCP passivation  
+varnish black
  - Varnish on the inside not necessary
  - Packaging  
Packaging quantity: 5 pieces in a box



| OBsolete | OBsolete | OBsolete | OBsolete | DESCRIPTION     | MATERIAL        | SURFACE         | COLOR            | ITEM NO | NOTES           |
|----------|----------|----------|----------|-----------------|-----------------|-----------------|------------------|---------|-----------------|
| 1        |          |          |          | Hood HB-K       | Aluminium       | Aluminium oxide | Black            | 11      |                 |
| 2        |          |          |          | LB-Clip bolt    | Stainless steel |                 |                  | 10      |                 |
|          | 1        |          |          | Hood HB         | Aluminium       |                 | Knows RAL 9010   | 9       | Without TE Logo |
|          | 2        | 2        |          | LB-Clip bolt    | Steel           | Zinc plated     | Blue             | 8       |                 |
|          |          | 1        |          | Hood HB         | Aluminium       |                 | Fire red RAL3000 | 7       |                 |
|          | 1        |          |          | Hood HB-EMV     | Aluminium       | SEE NOTE 2      | Black            | 6       |                 |
|          |          | 1        | 1        | Hood HB         | Aluminium       |                 | Grey             | 5       | Without TE Logo |
|          |          |          |          | ZB-Locking clip | Stainless steel | Blank           |                  | 4       |                 |
|          |          |          |          | ZB-Locking clip | steel           | Zinc plated     | Blue             | 3       |                 |
|          |          |          | 1        | Hood HB-K       | Aluminium       | Aluminium oxide | Black            | 2       |                 |
|          |          |          | 1        | Hood HB         | Aluminium       |                 | Grey             | 1       |                 |



THIS DRAWING IS A CONTROLLED DOCUMENT.

DWN Schneider 28.11.02  
 CHK Schneider 28.11.02  
 APVD -

NAME: HOOD HB6

PRODUCT SPEC: 108-74001/74003  
 APPLICATION SPEC: 114-74001/74004/74005

SIZE: A2 CAGE CODE: 00779 DRAWING NO: C-1106419 RESTRICTED TO: A15

WEIGHT: - SCALE: 1:1 SHEET: 1 OF 1

CUSTOMER DRAWING

# Mouser Electronics

Authorized Distributor

Click to View Pricing, Inventory, Delivery & Lifecycle Information:

[TE Connectivity:](#)

[1106419-1](#)