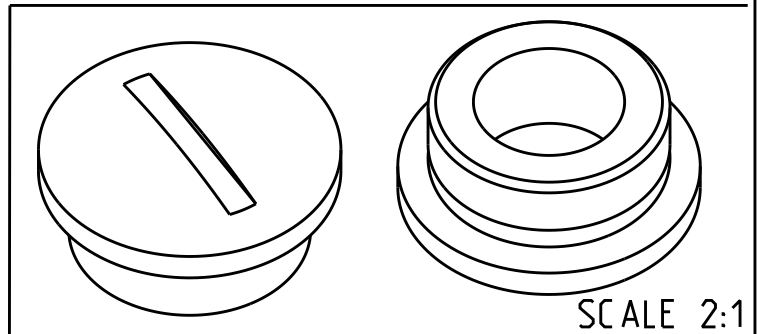
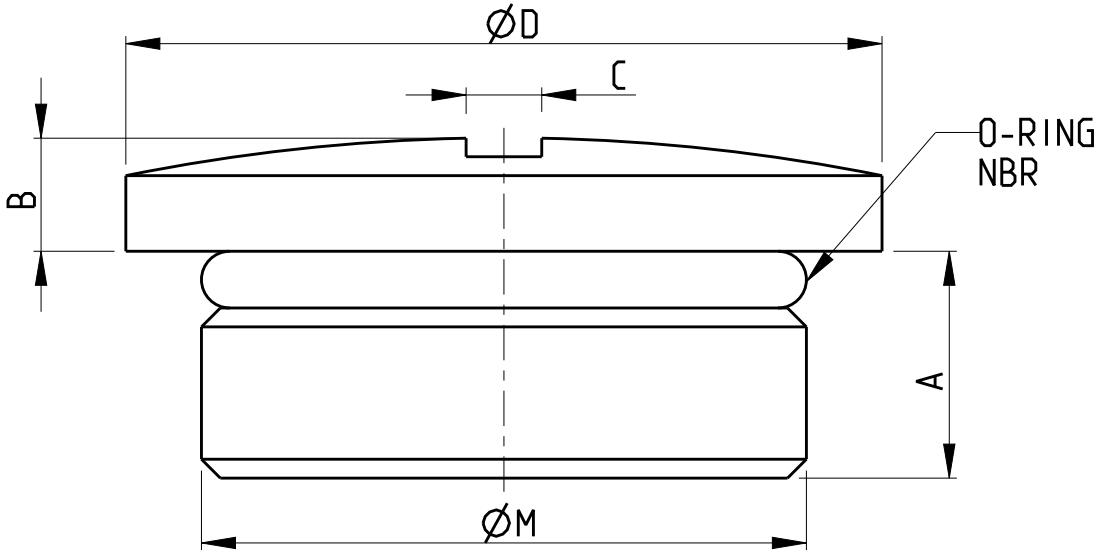


REVISIONS					
P	LTR	DESCRIPTION	DATE	DWN	APVD
	A3	REVISED PER ECR-17-014412	04APR2018	NG	MKO



SUPERSEDED BY T3165500111-000	5-0	M50x1.5	50	55.0	9.0	6.0	2.0	47.0x2.5	13.5 Nm
SUPERSEDED BY T3165400111-000	4-0	M40x1.5	40	45.0	8.0	4.0	2.0	37.0x2.0	13.5 Nm
SUPERSEDED BY T3165320111-000	3-2	M32x1.5	32	35.0	8.0	4.0	2.0	28.0x3.0	10.0 Nm
SUPERSEDED BY T3165250111-000	2-5	M25x1.5	25	28.0	7.0	4.0	2.0	21.0x1.5	7.0 Nm
SUPERSEDED BY T3165200111-000	2-0	M20x1.5	20	24.0	6.5	3.0	2.0	18.0x1.5	5.0 Nm
SUPERSEDED BY T3165160111-000	1-6	M16x1.5	16	20.0	6.0	3.0	2.0	13.0x1.5	4.0 Nm
	PART NO	SIZE	ØM	ØD	A	B	C	O-RING	TORQUE
DIMENSIONS									

2000
 RELEASED FOR PUBLICATION
 ALL RIGHTS RESERVED.
 THIS DRAWING IS UNPUBLISHED.
 COPYRIGHT 2000
 BY -

DIMENSIONS: mm	DWN SCHNEIDER 11.04.2002	MATERIAL -	FINISH -
TOLERANCES UNLESS OTHERWISE SPECIFIED: <small> ISO 2768-MS ISO 2768-MK DIN 15001-120 </small>	CHK BRAUN 11.04.2002	TE TE Connectivity	
0 PLC ± 1 PLC ± 2 PLC ± 3 PLC ± 4 PLC ± ANGLES ±	APVD -	NAME BLANKING PIECE WITH SEALING, METRIC	
	PRODUCT SPEC -	SIZE A 4	CAGE CODE 00779
	APPLICATION SPEC -	DRAWING NO C-1102773	RESTRICTED TO
	WEIGHT -		
CUSTOMER DRAWING		SCALE 5:1	SHEET 1 OF 1
		REV A3	

Mouser Electronics

Authorized Distributor

Click to View Pricing, Inventory, Delivery & Lifecycle Information:

[TE Connectivity:](#)

[3-1102773-2](#)