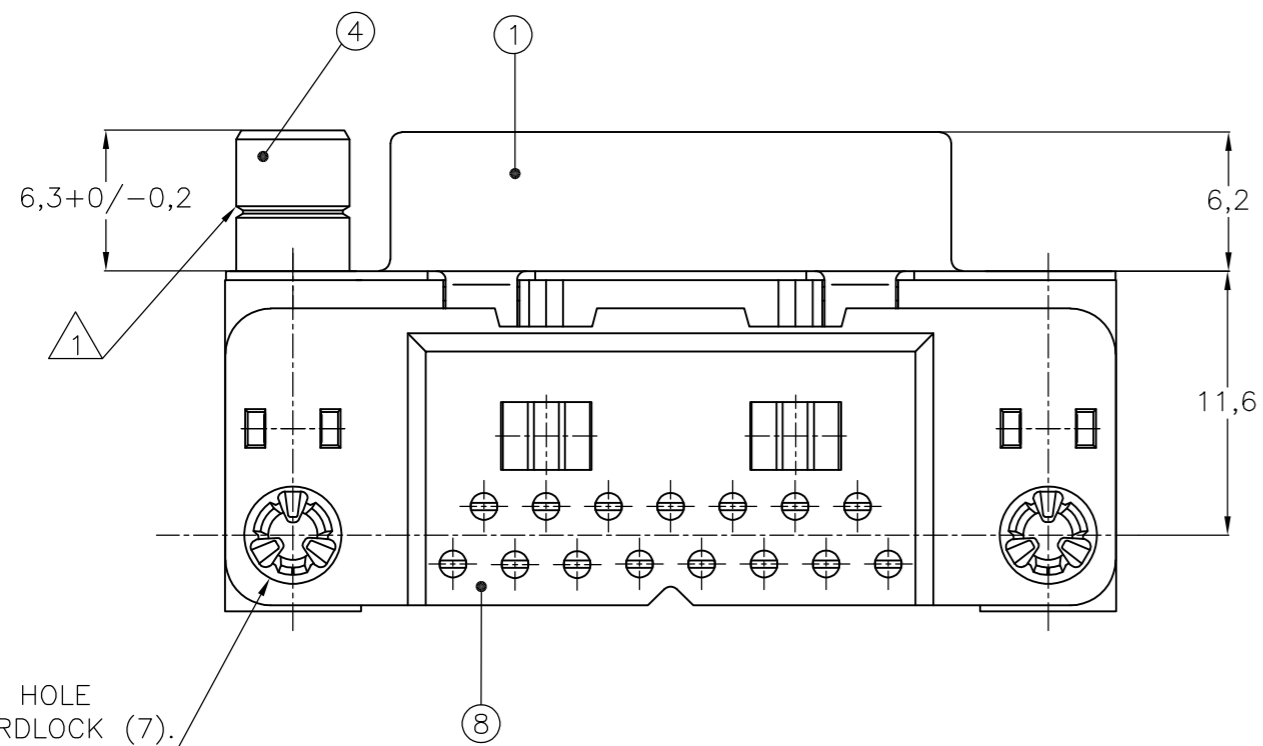
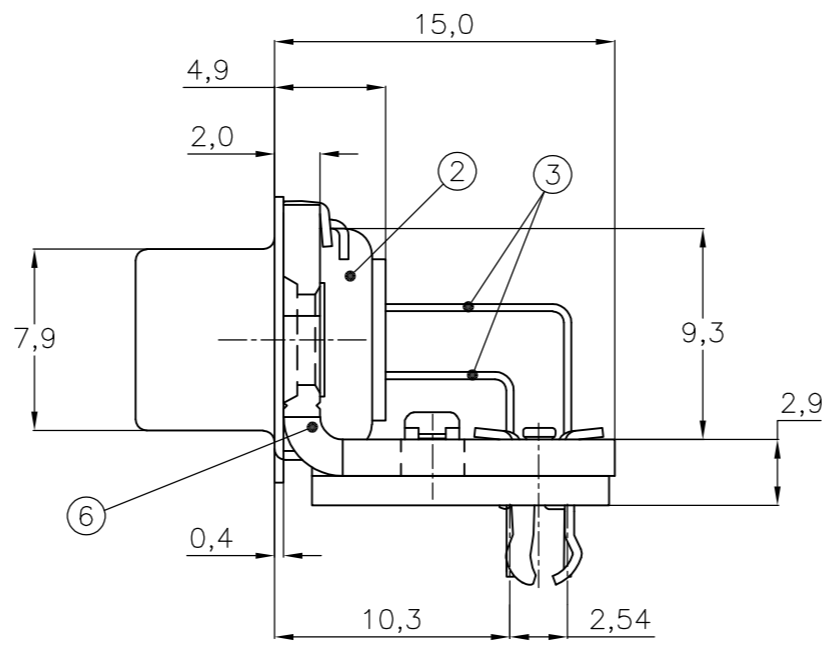
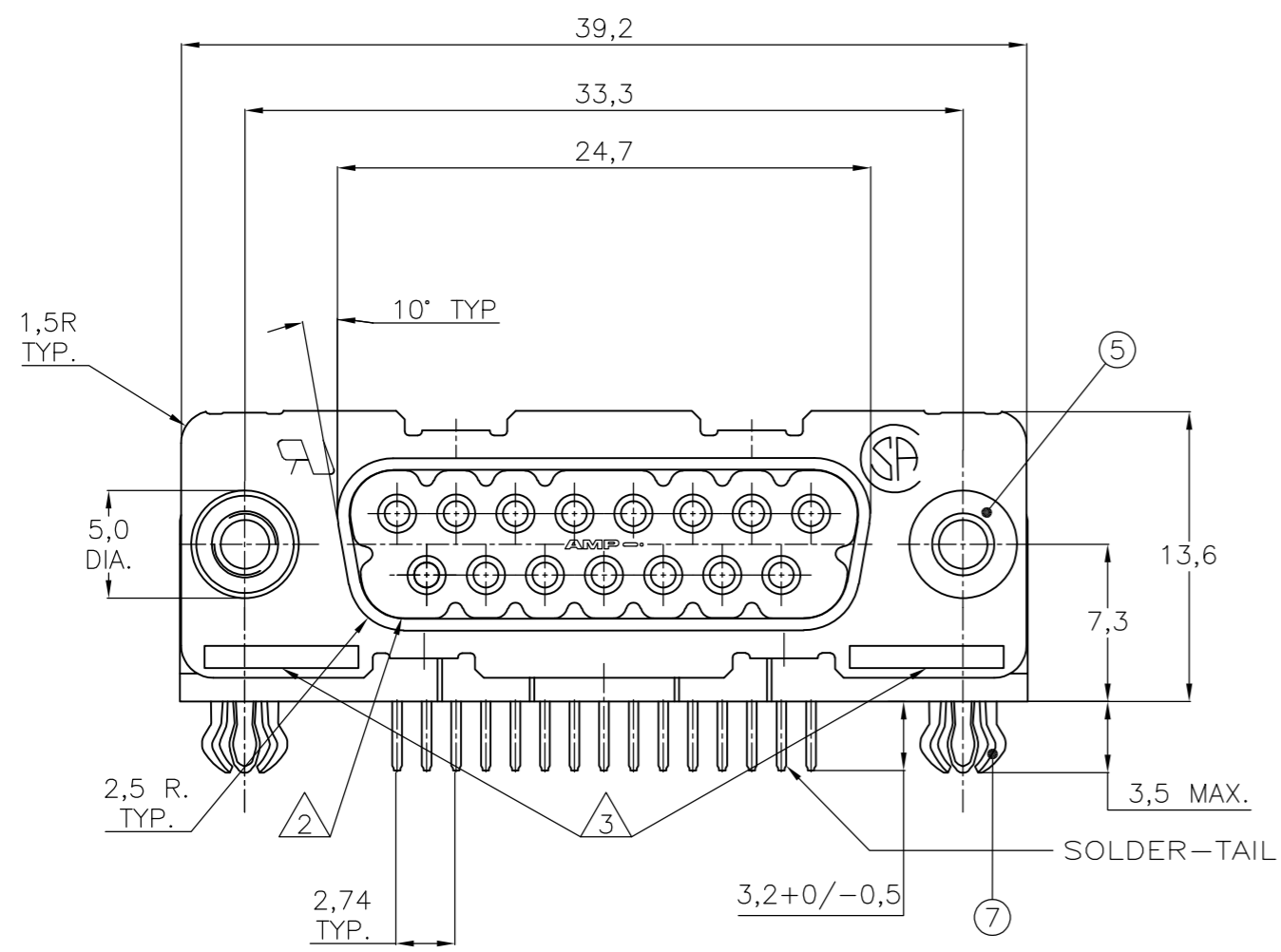


THIS DRAWING IS UNPUBLISHED. RELEASED FOR PUBLICATION
 © COPYRIGHT - By - ALL RIGHTS RESERVED.

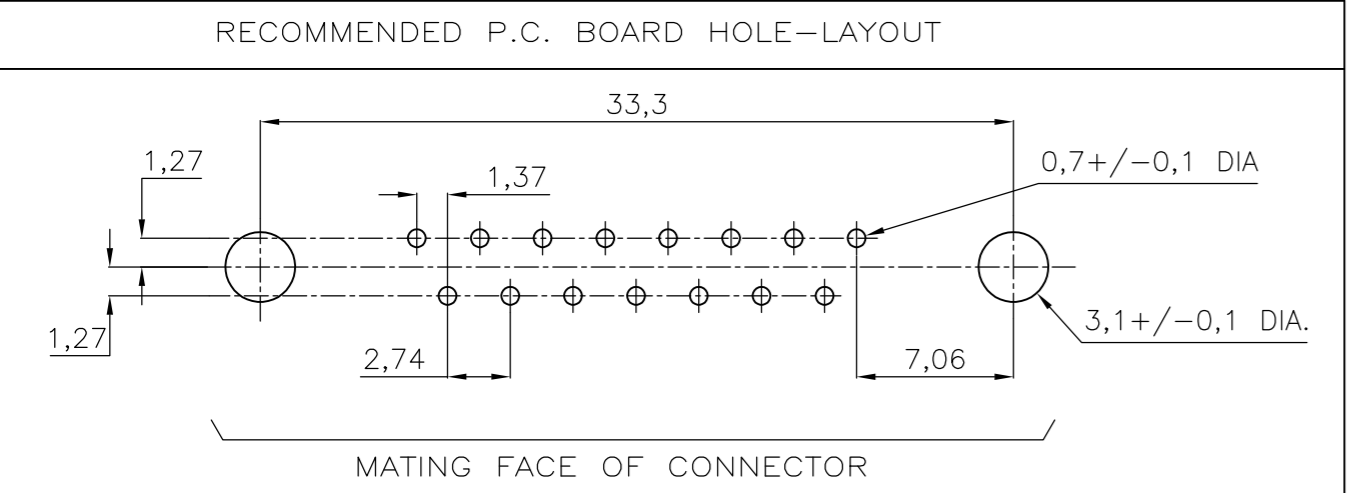
LOC	DIST	REVISIONS			
P	LTR	DESCRIPTION	DATE	DWN	APVD
GP	00	M	REVISED PER ECO-15-004948	27APR2015	AP SB



ACCESSORIES	ITEM NO.	DESCRIPTION OF ACCESSORY										
	5	BUSHING WITH THROUGH-HOLE 3,1 DIA.	2									
5	BUSHING WITH INNER THREAD 4-40 UNC	2										
5	BUSHING WITH INNER THREAD M3	2										
4	FEMALE SCREWLOCK WITH 4-40 UNC	2										
4	FEMALE SCREWLOCK WITH M3	2										
7	BOARDLOCK	2	2	2	2	2	2	2	2	2	2	2
	106506-2											
	1-106506-2											
	2-106506-2											
	3-106506-2											
	4-106506-2											
	5-106506-2											
	6-106506-2											
	7-106506-2											
	8-106506-2											
	9-106506-2											

- ① GROOVE INDICATES VERSION WITH 4-40 UNC INNER THREAD; WITHOUT GROOVE INDICATES VERSION WITH M3 INNER THREAD.
- ② CAVITY IDENTIFICATION AT FRONT SIDE ONLY.
- ③ PART NUMBER AND DATE CODE.
- ④ AIR AND CREEPAGE DISTANCES ACCORDING TO DIN 41652.
- ⑤ CONTACT FINISH: GOLD FLASH OVER PALLADIUM-NICKEL PLATE OR GOLD PLATE ON THE MATING SURFACES, TIN PLATE ON THE SOLDER-TAILS, NICKEL UNDERPLATE ON THE ENTIRE CONTACT. MATING SURFACE FINISH MEETS PERFORMANCE LEVEL 2 PER DIN 41652.

- ITEM NO./MATERIAL :
- ① SHELL : BRIGHT TIN PLATED STEEL
 - ② HOUSING : GLASS FILLED POLYESTER, COLOR : BLACK
 - ③ CONTACTS : PHOSPHOR BRONZE (PLATING : SEE NOTES ABOVE)
 - ④ FEMALE SCREWLOCK : TIN PLATED STEEL (INNER THREAD 4-40 UNC OR M3)
 - ⑤ BUSHING : TIN PLATED STEEL (INNER THREAD 4-40 UNC OR M3 OR 3,1 DIA THROUGH-HOLE)
 - ⑥ BRACKET : TIN PLATED STEEL
 - ⑦ BOARDLOCK : TIN PLATED PHOSPHOR BRONZE
 - ⑧ POST ALIGNMENT PLATE : GLASS FILLED NYLON. COLOR : BLACK



THIS DRAWING IS A CONTROLLED DOCUMENT. DIMENSIONING AND TOLERANCING PER ASME Y14.5M-2009		DWN D. KESSLER	14JAN99	TE TE Connectivity	
DIMENSIONS: mm		CHK W. SOOMERS	APVD		
TOLERANCES UNLESS OTHERWISE SPECIFIED:		NAME		HD-20 SIZE 2 RIGHT ANGLE RECEPTACLE HEADER; MARK II	
0 PLC ± -		PRODUCT SPEC		SIZE	
1 PLC ± 0.3		APPLICATION SPEC		CAGE CODE	
2 PLC ± 0.15		WEIGHT		DRAWING NO	
3 PLC ± -		CUSTOMER DRAWING		A2 00779	
4 PLC ± -		SCALE		SHEET	
ANGLES ± 2°		NTS		1 of 1	
FINISH		REV		M	

Mouser Electronics

Authorized Distributor

Click to View Pricing, Inventory, Delivery & Lifecycle Information:

[TE Connectivity:](#)

[2-106506-2](#)