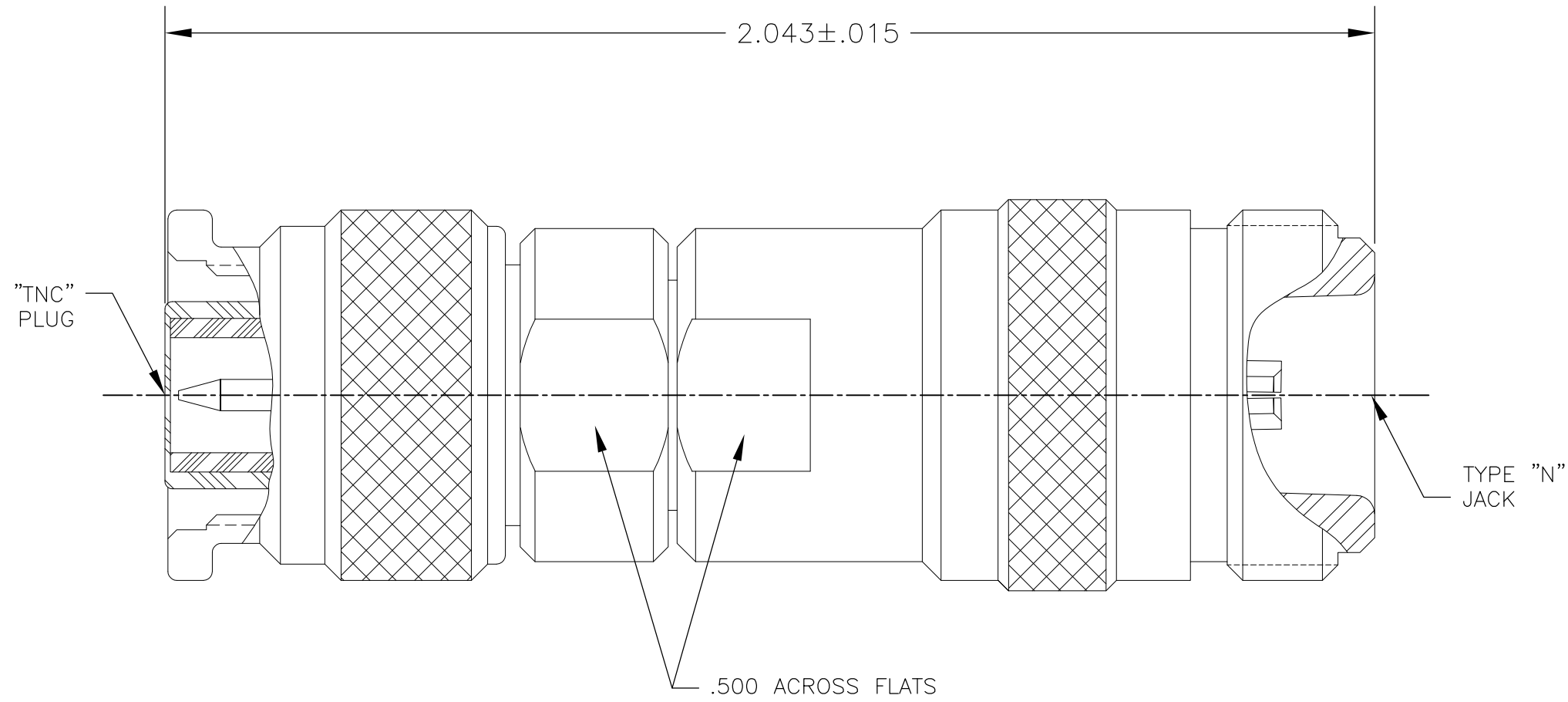


THIS DRAWING IS UNPUBLISHED. RELEASED FOR PUBLICATION
 © COPYRIGHT - By - ALL RIGHTS RESERVED.


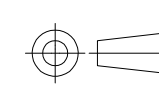
LOC HC	DIST 00	REVISIONS		
P	LTR	DESCRIPTION	DATE	DWN
	A1	ECR-12-005726	27MAR12	RK
				APVD MY



MATERIAL:
 CENTER CONDUCTOR- BERYLLIUM COPPER PER ASTM-B-196, ALLOY C17300 COND H.
 OUTER CONDUCTOR- STAINLESS STEEL PER ASTM-A-484 AND ASTM-A-582 TYPE 303.

DIELECTRIC- PTFE PER ASTM-D-1457

PLATING:
 INNER CONDUCTOR- GOLD PER MIL-G-45204
 OUTER CONDUCTOR- PASSIVATED PER QQ-P-35

THIS DRAWING IS A CONTROLLED DOCUMENT.		DWN G. VIERA	28APR03	 TE Connectivity	
DIMENSIONS: INCHES		CHK D. CAMELIO	29APR03		
		APVD D. CAMELIO	29APR03	NAME N JACK TO TNC PLUG ADAPTER 3082-2311-00	
TOLERANCES UNLESS OTHERWISE SPECIFIED:		PRODUCT SPEC		RESTRICTED TO	
0 PLC ± -		APPLICATION SPEC		SIZE	CAGE CODE
1 PLC ± -		-		A3	00779
2 PLC ± -		-		DRAWING NO C-1057388-1	
3 PLC ± .003		-		SCALE 4:1	
4 PLC ± -		-		SHEET 1 OF 1	
ANGLES ± 1'0"		-		REV A1	
FINISH		WEIGHT		CUSTOMER DRAWING	
-		-			

Mouser Electronics

Authorized Distributor

Click to View Pricing, Inventory, Delivery & Lifecycle Information:

[TE Connectivity:](#)

[1057388-1](#)