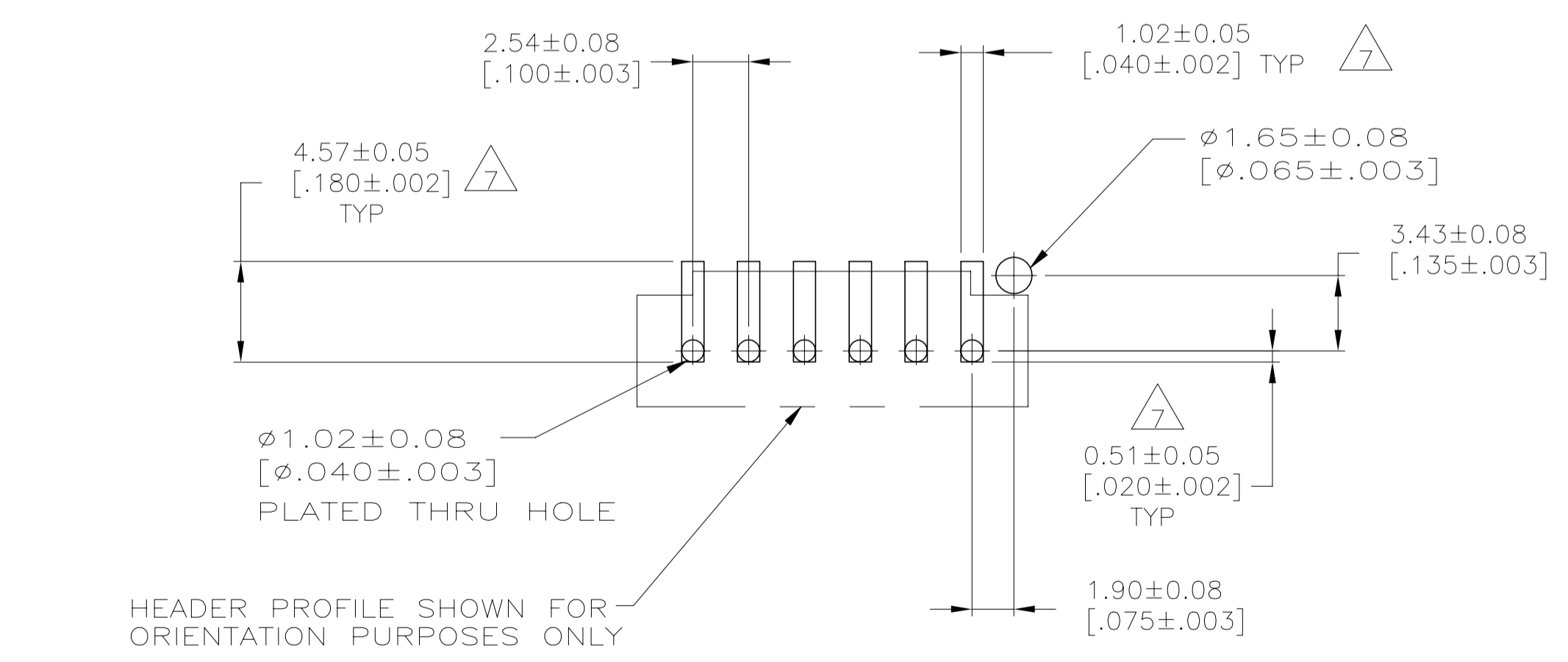
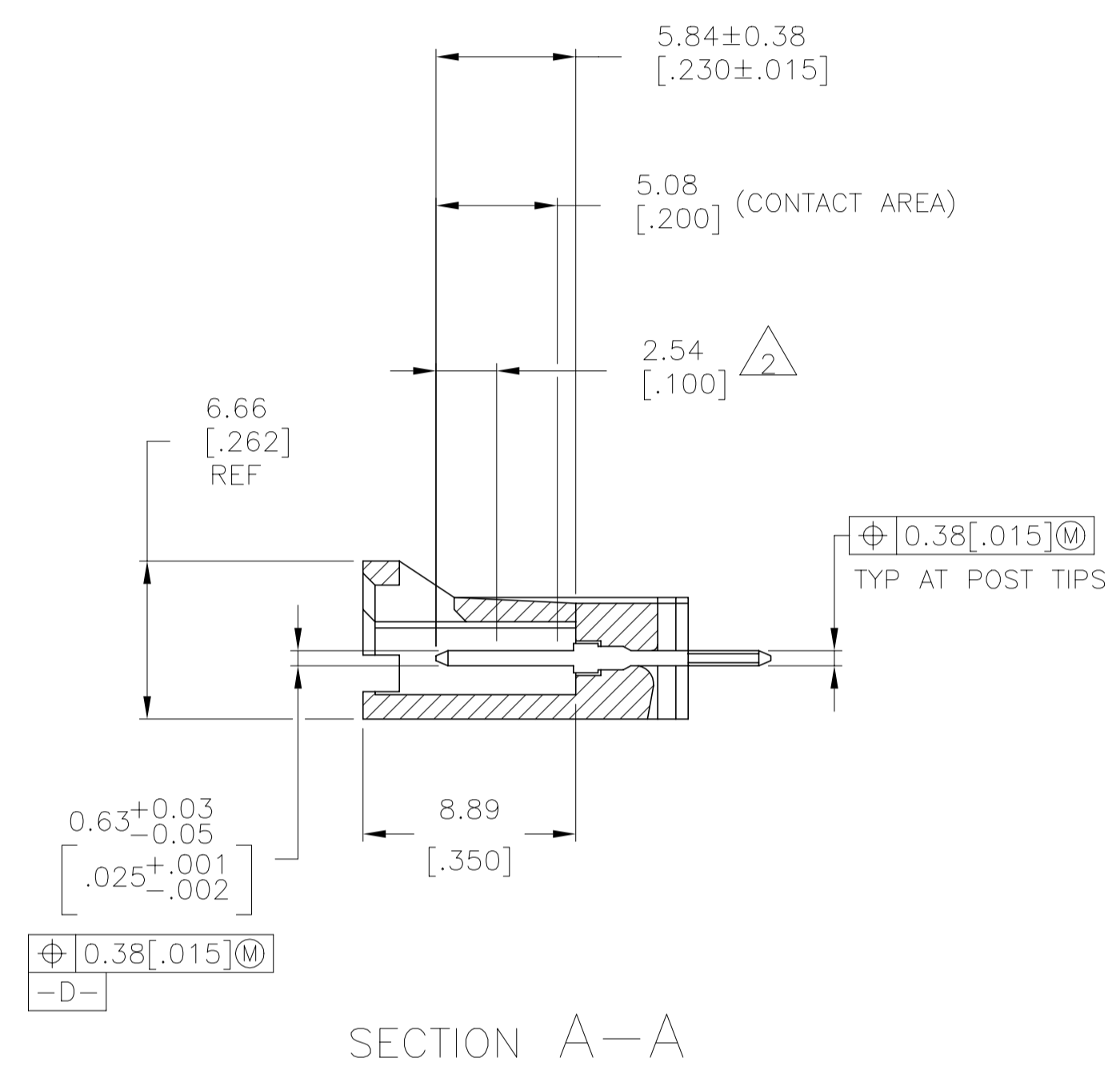
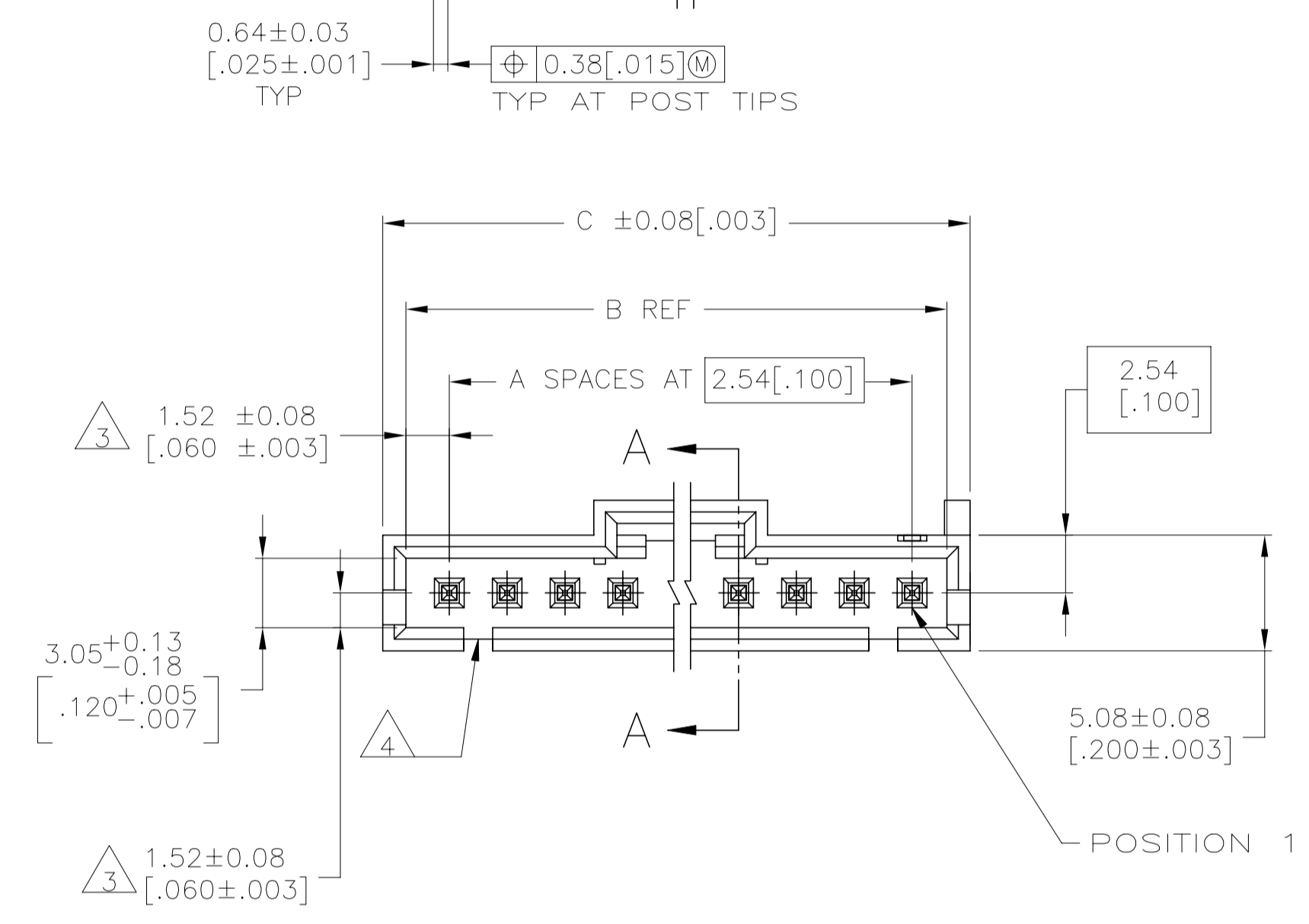
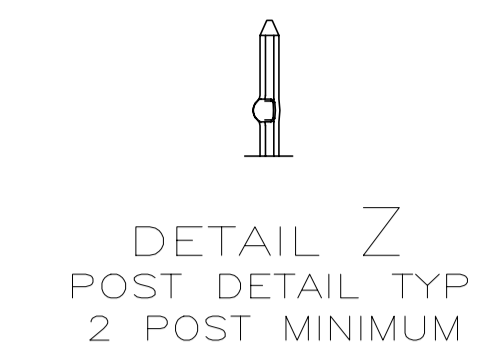
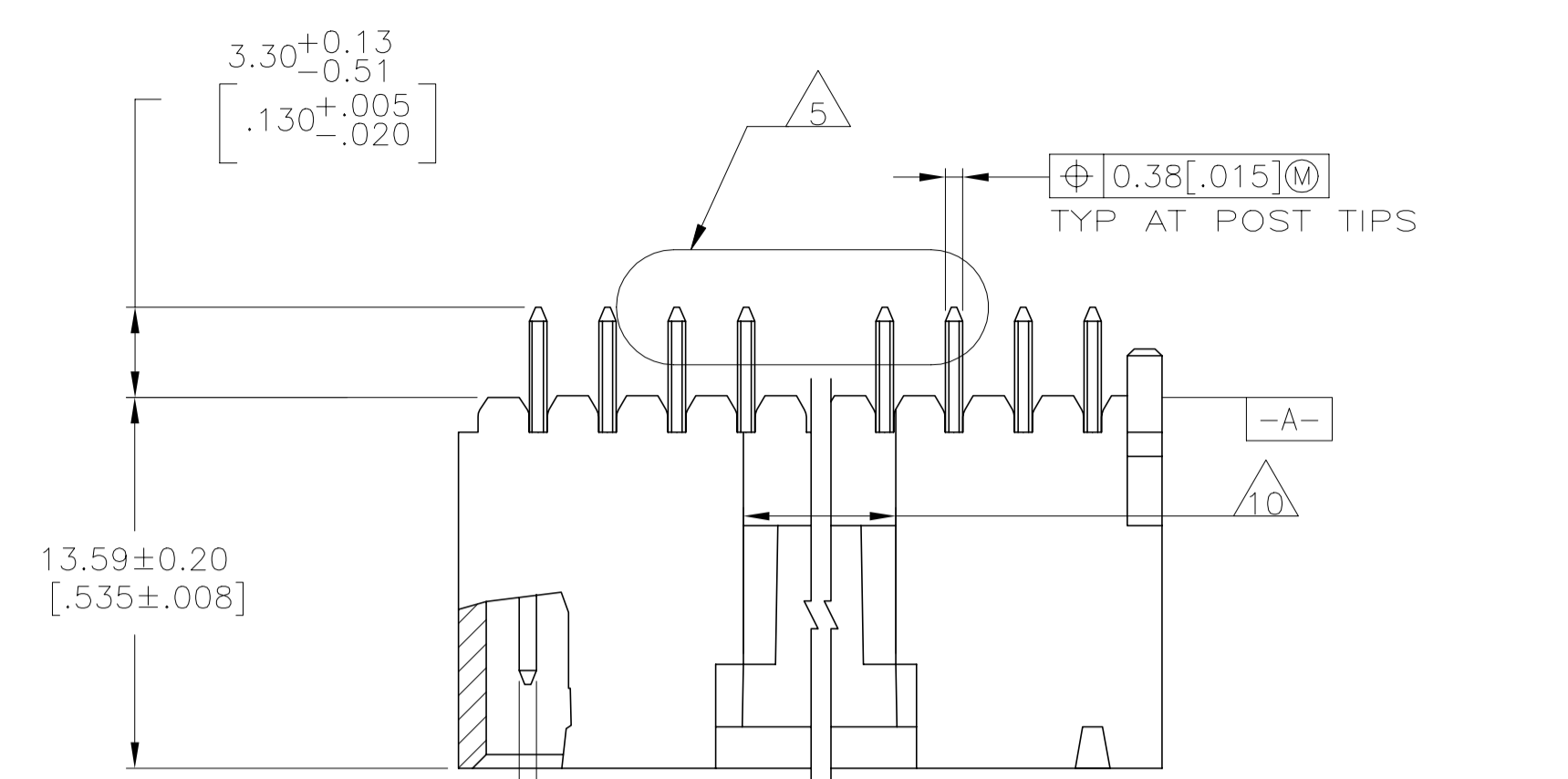


| REVISIONS | | | | | |
|-----------|---------------------------|-------------|-----------|-----|------|
| P | LTR | DESCRIPTION | DATE | DRN | APVD |
| N | REVISED PER ECO-20-001327 | | 05JUN2020 | SB | JO |



RECOMMENDED PC BOARD MOUNTING DIMENSIONS
RECOMMENDED STENCIL THICKNESS = 0.25[.010]

- 1 FINISH: .00038[.000015] GOLD IN THE CONTACT AREA, .00254[.000100] MATTE TIN-LEAD ON REMAINDER OF CONTACT, ALL OVER .00127[.000050] NICKEL.
- 2 POINT OF MEASUREMENT FOR PLATING THICKNESS.
- 3 THE NOTED DIMENSIONS APPLY FROM THE BASIC DIMENSION CENTER LINE (NOT THE POST CENTER LINE) TO THE SURFACE INDICATED.
- 4 ONE POLARIZATION SLOT FOR 2 AND 3 POSITION ASSEMBLIES ONLY.
- 5 SELECT POST TAILS FORMED TO PROVIDE CONNECTOR HOLD DOWN UNTIL SOLDERED, CONFIGURATION ACCEPTS 0.69[.027]-2.03[.080] THICK PRINTED CIRCUIT BOARD. (SEE DETAIL Z).
- 6 PARTS ARE PACKAGED IN GANG OF TUBES.
- 7 DIMENSIONS NOTED ARE FOR SOLDER STENCIL LAYOUT FOR USE WITH 1.58±0.20[.062±.008] THICK PRINTED CIRCUIT BOARDS.
- 8 MATERIAL- HOUSING: LCP, COLOR-BLACK. POSTS: BRASS.
- 9 FINISH: .00038[.000015] GOLD IN THE CONTACT AREA, .00254[.000100] MATTE TIN ON REMAINDER OF CONTACT, ALL OVER .00127[.000050] NICKEL.
- 10 0.25 [.010] RECESS PERMISSIBLE IN THIS AREA FOR MOLD SHUT OFF

| | | | | | |
|---------|------------------|------------------|-----|-------------|------------|
| 9 | 32.89 [1.295] | 30.99 [1.220] | 1 1 | 12 | 6-104809-1 |
| 9 | 30.35 [1.195] | 28.45 [1.120] | 10 | 1 1 | 6-104809-0 |
| 9 | 27.81 [1.095] | 25.91 [1.020] | 9 | 10 | 5-104809-9 |
| 9 | 25.27 [.995] | 23.37 [.920] | 8 | 9 | 5-104809-8 |
| 9 | 22.73 [.895] | 20.83 [.820] | 7 | 8 | 5-104809-7 |
| 9 | 20.19 [.795] | 18.29 [.720] | 6 | 7 | 5-104809-6 |
| 9 | 17.65 [.695] | 15.75 [.620] | 5 | 6 | 5-104809-5 |
| 9 | 15.11 [.595] | 13.21 [.520] | 4 | 5 | 5-104809-4 |
| 9 | 12.57 [.495] | 10.67 [.420] | 3 | 4 | 5-104809-3 |
| 9 | 10.03 [.395] | 8.13 [.320] | 2 | 3 | 5-104809-2 |
| 9 | 7.49 [.295] | 5.59 [.220] | 1 | 2 | 5-104809-1 |
| 1 | 32.89 [1.295] | 30.99 [1.220] | 1 1 | 12 | 1-104809-1 |
| 1 | 30.35 [1.195] | 28.45 [1.120] | 10 | 1 1 | 1-104809-0 |
| 1 | 27.81 [1.095] | 25.91 [1.020] | 9 | 10 | 104809-9 |
| 1 | 25.27 [.995] | 23.37 [.920] | 8 | 9 | 104809-8 |
| 1 | 22.73 [.895] | 20.83 [.820] | 7 | 8 | 104809-7 |
| 1 | 20.19 [.795] | 18.29 [.720] | 6 | 7 | 104809-6 |
| 1 | 17.65 [.695] | 15.75 [.620] | 5 | 6 | 104809-5 |
| 1 | 15.11 [.595] | 13.21 [.520] | 4 | 5 | 104809-4 |
| 1 | 12.57 [.495] | 10.67 [.420] | 3 | 4 | 104809-3 |
| 1 | 10.03 [.395] | 8.13 [.320] | 2 | 3 | 104809-2 |
| 1 | 7.49 [.295] | 5.59 [.220] | 1 | 2 | 104809-1 |
| PLATING | C | B | A | NO. OF POSN | PART NO. |

THIS DRAWING IS A CONTROLLED DOCUMENT. DWN R BROWN 09FEB01
DKW K WRIGHT 09FEB01

TE Connectivity

STE

PLZD HDR ASSY, AMPMODU MTE, VERTICAL SINGLE ROW, 2.54[.100] CL, 0.64[.025] SQ POSTS, WITH LATCHING & HOLD DOWN

APVD K WRIGHT 09FEB01

PRODUCT SPEC

APPLICATION SPEC

SIZE CAGE CODE DRAWING NO RESTRICTED TO

A1 00779 C=104809

CUSTOMER DRAWING SCALE 4:1 SHEET 1 OF 1 REV N

Mouser Electronics

Authorized Distributor

Click to View Pricing, Inventory, Delivery & Lifecycle Information:

[TE Connectivity:](#)

[104809-8](#)