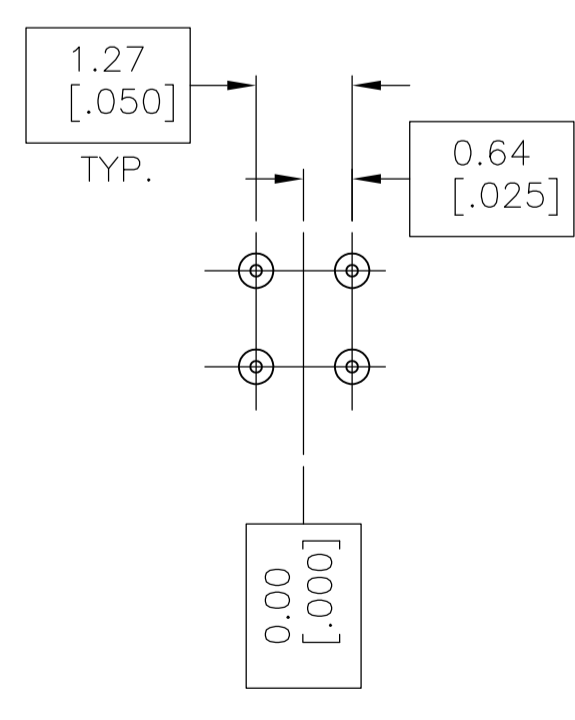
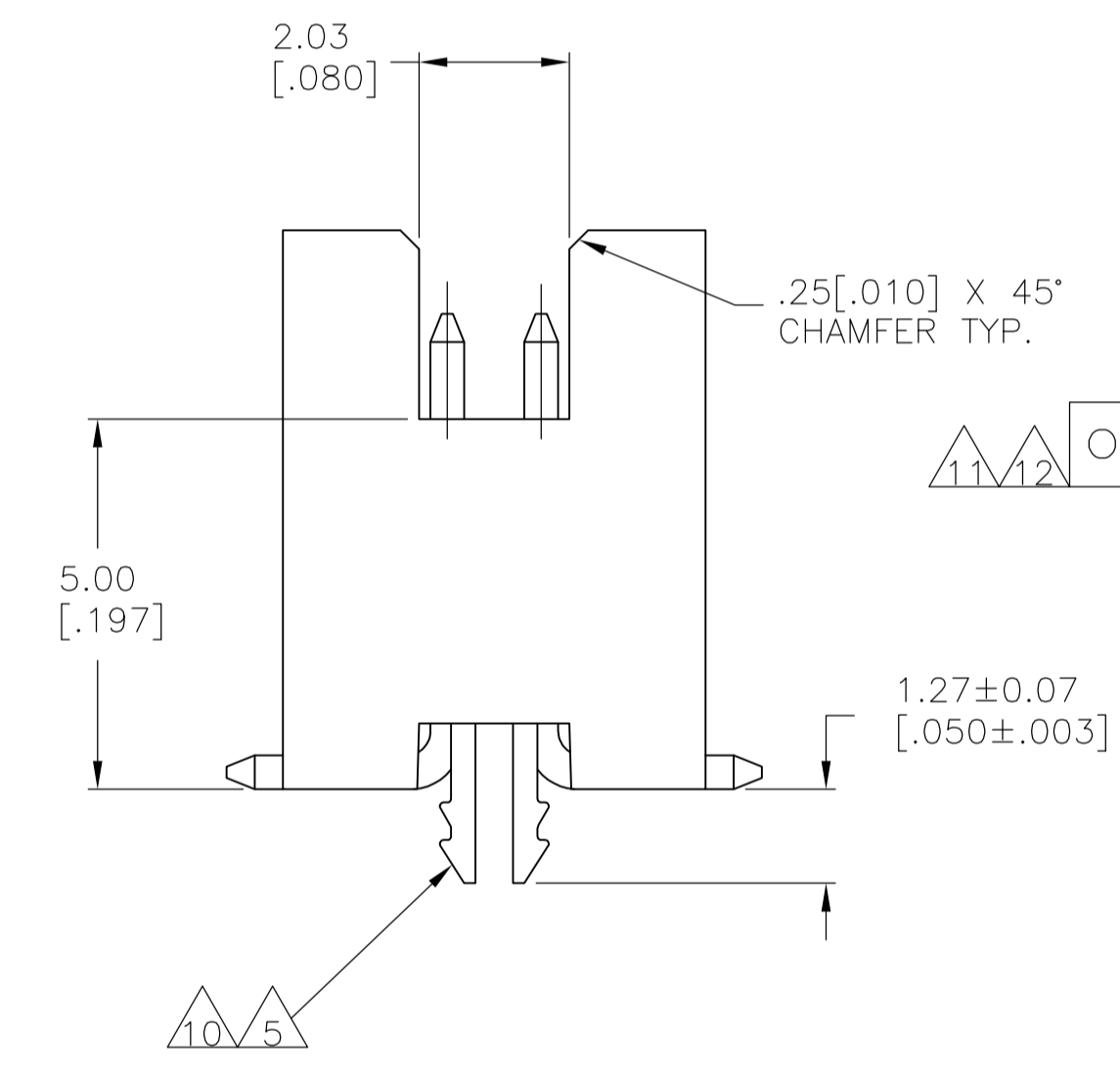
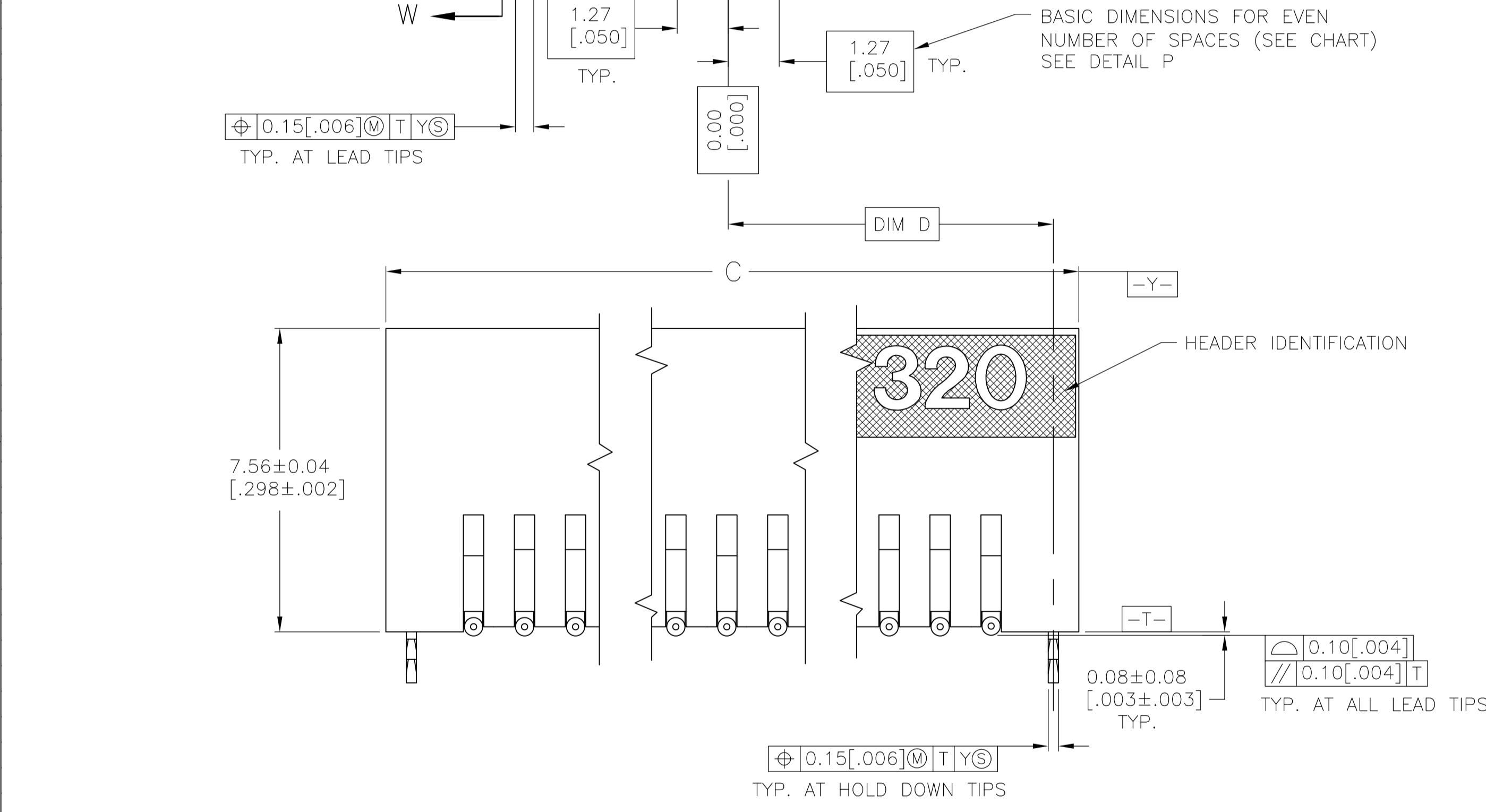
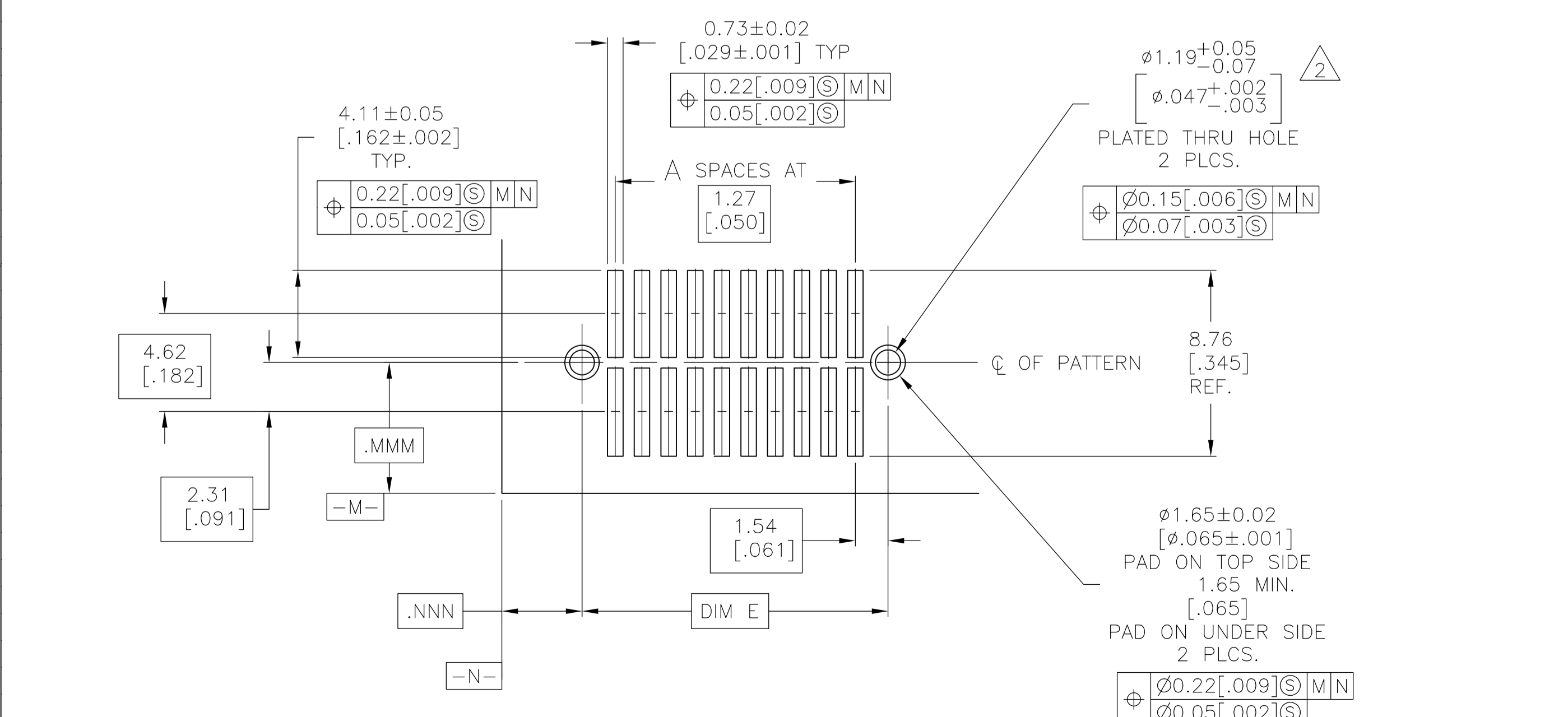


- 1 0.00076[.000030] GOLD AT POINT OF MEASUREMENT, 0.00051[.000020] MIN AT THE END POINTS OF AREA G, (LOCALIZED GOLD PLATE AREA), 0.0038[.000150] TIN-LEAD ON LOCALIZED TIN PLATED AREA, ALL OVER 0.0013[.000050] NICKEL
- 2 USE 1.32±0.02 [.0520±.0010] DRILLED HOLE (#55 DRILL). FINISH TO BE TIN PLATE OVER 0.02 [.001] MIN COPPER.
- 3 DIMENSION APPLIES AT BASE OF SHROUD.
- 4 THE NOTED DIMENSIONS APPLY AT THE MATING FACE OF THE HOUSING.
- 5 0.0038 [.000150] TIN-LEAD ON HOLD DOWN, ALL OVER 0.0013 [.000050] NICKEL.
- 6. IF PLANNING TO USE MORE THAN ONE MATING PAIR OF CONNECTORS TO INTERCONNECT 2 BOARDS, PLEASE REFER TO SPACING PARAGRAPH IN APPLICATION SPEC, #114-7010
- 7 POINT OF MEASUREMENT
- 8 DIMENSIONS NOTED APPLY FROM THE BASIC DIMENSION LINE (NOT THE CIRCUIT CAVITY CENTER LINE) TO THE SURFACE INDICATED.
- 9 0.00076(0.000030) GOLD AT POINT OF MEASUREMENT, 0.00051(.000020) MIN AT THE END POINTS OF AREA G, (LOCALIZED GOLD PLATE AREA), 0.0038(.000150) TIN ON LOCALIZED TIN PLATED AREA, ALL OVER 0.0013(.000050) NICKEL.
- 10 0.0038(.000150) TIN ON HOLDDOWN, ALL OVER 0.0013 (.000050) NICKEL.
- 11 ROHS 2002/95/EC COMPLIANT
- 12 OBSOLETE PARTS: OBSOLETE CIS STREAMLINING PER D.RENAUD/D.SINISI



| FINISH | E | D | C | B | A | NUMBER OF POSITIONS | PART NUMBER | |
|--------|------|---------------|---------------|---------------|---------------|---------------------|-------------|------------|
| 11 | 9/10 | 65.33 [2.572] | 32.66 [1.286] | 66.59 [2.622] | 64.05 [2.522] | 49 | 100 | 6-104656-0 |
| 11 | 9/10 | 58.98 [2.322] | 29.48 [1.161] | 60.24 [2.372] | 57.70 [2.272] | 44 | 90 | 5-104656-9 |
| 11 | 9/10 | 52.63 [2.072] | 26.31 [1.036] | 53.89 [2.122] | 51.35 [2.022] | 39 | 80 | 5-104656-8 |
| 11 | 9/10 | 46.28 [1.822] | 23.13 [0.911] | 47.54 [1.872] | 45.00 [1.772] | 34 | 70 | 5-104656-7 |
| 11 | 9/10 | 39.93 [1.572] | 19.96 [0.786] | 41.19 [1.622] | 38.65 [1.522] | 29 | 60 | 5-104656-6 |
| 11 | 9/10 | 33.58 [1.322] | 16.78 [0.661] | 34.84 [1.372] | 32.30 [1.272] | 24 | 50 | 5-104656-5 |
| 11 | 9/10 | 27.23 [1.072] | 13.61 [0.536] | 28.49 [1.122] | 25.95 [1.022] | 19 | 40 | 5-104656-4 |
| 11 | 9/10 | 20.88 [0.822] | 10.43 [0.411] | 22.14 [0.872] | 19.60 [0.772] | 14 | 30 | 5-104656-3 |
| 11 | 9/10 | 14.53 [0.572] | 7.26 [0.286] | 15.79 [0.622] | 13.25 [0.522] | 9 | 20 | 5-104656-2 |
| 11 | 9/10 | 8.18 [0.322] | 4.08 [0.161] | 9.44 [0.372] | 6.90 [0.272] | 4 | 10 | 5-104656-1 |
| 1/5 | | 65.33 [2.572] | 32.66 [1.286] | 66.59 [2.622] | 64.05 [2.522] | 49 | 100 | 1-104656-0 |
| 1/5 | | 58.98 [2.322] | 29.48 [1.161] | 60.24 [2.372] | 57.70 [2.272] | 44 | 90 | 104656-9 |
| 1/5 | | 52.63 [2.072] | 26.31 [1.036] | 53.89 [2.122] | 51.35 [2.022] | 39 | 80 | 104656-8 |
| 1/5 | | 46.28 [1.822] | 23.13 [0.911] | 47.54 [1.872] | 45.00 [1.772] | 34 | 70 | 104656-7 |
| 1/5 | | 39.93 [1.572] | 19.96 [0.786] | 41.19 [1.622] | 38.65 [1.522] | 29 | 60 | 104656-6 |
| 1/5 | | 33.58 [1.322] | 16.78 [0.661] | 34.84 [1.372] | 32.30 [1.272] | 24 | 50 | 104656-5 |
| 1/5 | | 27.23 [1.072] | 13.61 [0.536] | 28.49 [1.122] | 25.95 [1.022] | 19 | 40 | 104656-4 |
| 1/5 | | 20.88 [0.822] | 10.43 [0.411] | 22.14 [0.872] | 19.60 [0.772] | 14 | 30 | 104656-3 |
| 1/5 | | 14.53 [0.572] | 7.26 [0.286] | 15.79 [0.622] | 13.25 [0.522] | 9 | 20 | 104656-2 |
| 1/5 | | 8.18 [0.322] | 4.08 [0.161] | 9.44 [0.372] | 6.90 [0.272] | 4 | 10 | 104656-1 |



RECOMMENDED BOARD LAYOUT SCALE 5:1

THIS DRAWING IS A CONTROLLED DOCUMENT.

| | | | |
|---------------------------------------------------------------------------------|----------------------------------------|-----------------------------|----------------------------|
| DIMENSIONS: mm [INCHES] | TOLERANCES UNLESS OTHERWISE SPECIFIED: | APPROVED: D. GORENC 8/12/91 | NAME: D. GORENC |
| 0 PL ± | 1 PL ± | 2 PL ± 0.13 [005] | 3 PL ± |
| 4 PL ± | ANGLES ± or 30° | PRODUCT SPEC: 108-1332 | APPLICATION SPEC: 114-7010 |
| MATERIAL: HOUSING: LCP, COLOR-BLACK; POST: PHOS BRONZE; HOLD DOWN: COPPER ALLOY | FINISH: SEE TABLE | WEIGHT: A1 | 00779-104656 |

CUSTOMER DRAWING SCALE 10:1 SHEET 1 OF 1 REV J3

Mouser Electronics

Authorized Distributor

Click to View Pricing, Inventory, Delivery & Lifecycle Information:

[TE Connectivity:](#)

[5-104656-1](#)