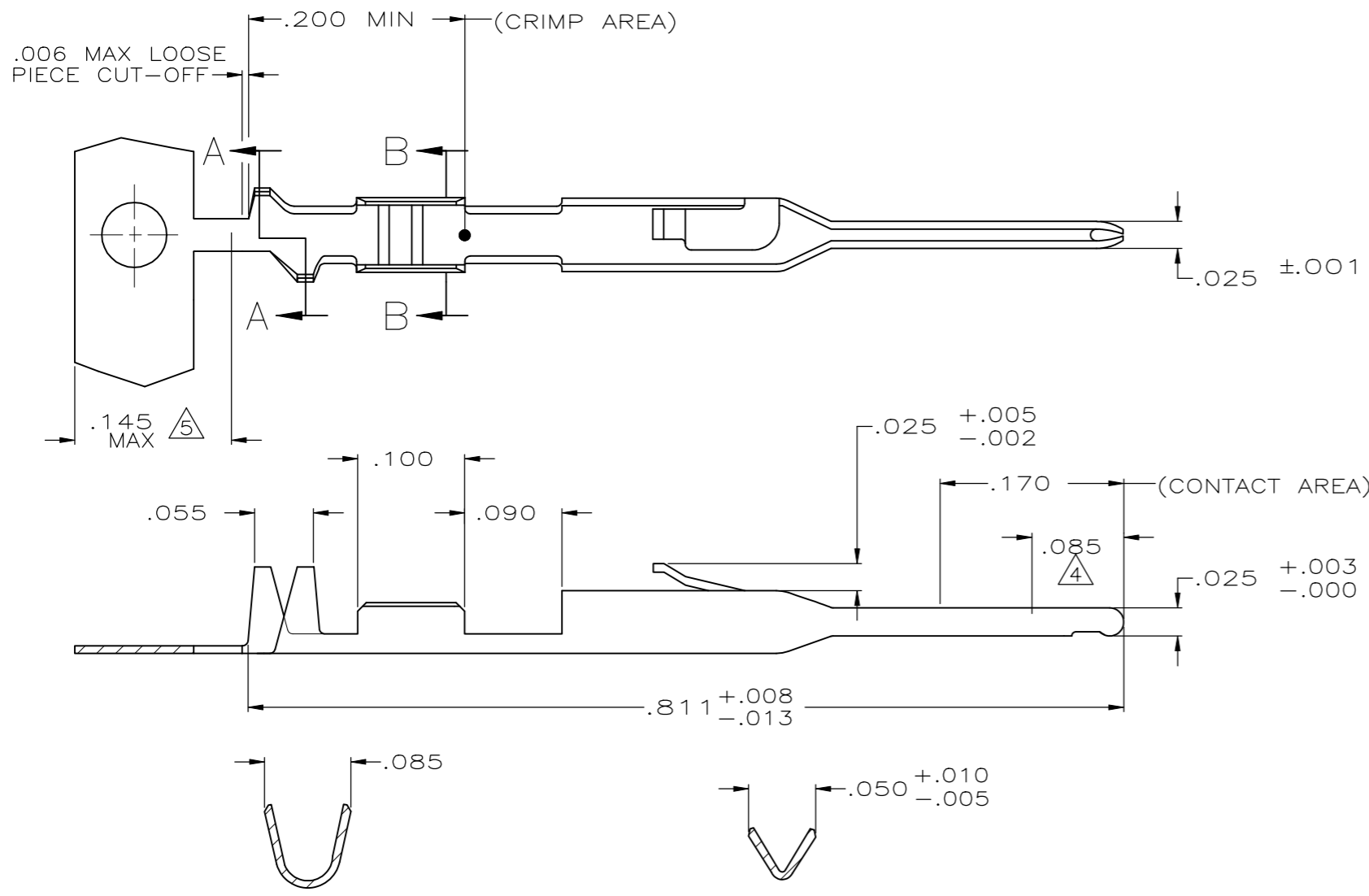


REVISIONS				
P	LTR	DESCRIPTION	DATE	APVD
H1		REVISED PER ECO-11-004917	11MAR11	RK HMR
H2		REVISED PER ECO-18-014610	18SEP2018	RS MM



SECTION A-A
INSULATION RANGE .054 MAX

SECTION B-B
WIRE RANGE #28-#32

- 1 .000100-.000200 BRIGHT TIN-LEAD OVER .000030 NICKEL ENTIRE CONTACT
- 2 .000015 GOLD IN CONTACT AREA, .000050-.000100 BRIGHT TIN-LEAD IN CRIMP AREA, ALL OVER .000030 NICKEL ENTIRE CONTACT
- 3 .000030 GOLD IN CONTACT AREA, .000050-.000100 BRIGHT TIN-LEAD IN CRIMP AREA, ALL OVER .000030 NICKEL ENTIRE CONTACT
- 4 POINT OF MEASUREMENT FOR PLATING THICKNESS
- 5 GOLD PLATING NOT REQUIRED IN THIS AREA
- 6 .000015 GOLD IN CONTACT AREA, .000050-.000100 BRIGHT TIN IN CRIMP AREA, ALL OVER .000030 NICKEL ENTIRE CONTACT.
- 7 PRELIMINARY PART - NOT RELEASED FOR PRODUCTION.
- 8 .000100-.000200 BRIGHT TIN OVER .000030 NICKEL ENTIRE CONTACT.
- 9 .000100-.000200 MATTE TIN OVER .000030 NICKEL ENTIRE CONTACT.
- 10 .000015 GOLD IN CONTACT AREA, .000050-.000100 MATTE TIN IN CRIMP AREA, ALL OVER .000030 NICKEL ENTIRE CONTACT
- 11 .000030 GOLD IN CONTACT AREA, .000050-.000100 MATTE TIN IN CRIMP AREA, ALL OVER .000030 NICKEL ENTIRE CONTACT

11	5-104506-7	5-104506-6
10	5-104506-5	5-104506-4
9	5-104506-3	5-104506-2
8	1-104506-1	1-104506-0
6	104506-9	104506-8
3	104506-7	104506-6
2	104506-5	104506-4
1	104506-3	104506-2
FINISH	LOOSE PIECE PART NUMBER	PART NUMBER

THIS DRAWING IS A CONTROLLED DOCUMENT.

DWN D KEITZER 12-14-88	TE Connectivity
CHK S. SHUEY 12-15-88	
APVD C. SINISI 12-16-88	
NAME PIN, AMPMODU, MTE	
DIMENSIONS: INCHES	TOLERANCES UNLESS OTHERWISE SPECIFIED: 0 PLC ± - 1 PLC ± - 2 PLC ± - 3 PLC ± .005 4 PLC ± - ANGLES ± -
MATERIAL PHOS BRONZE	FINISH SEE TABLE
WEIGHT -	SIZE A2
CUSTOMER DRAWING	SCALE 10:1

PHOS BRONZE SEE TABLE

00779 C-104506

SHEET 1 of 1 REV H2

Mouser Electronics

Authorized Distributor

Click to View Pricing, Inventory, Delivery & Lifecycle Information:

[TE Connectivity:](#)

[5-104506-7](#)