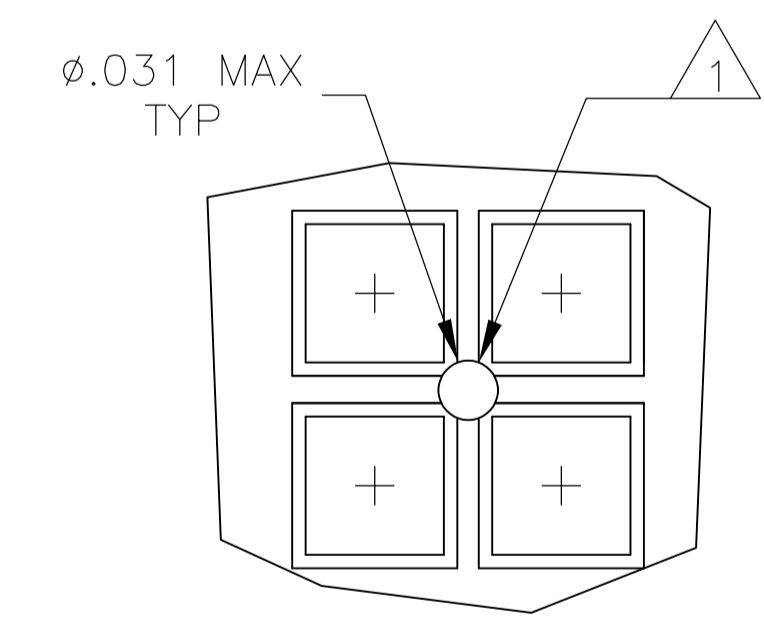
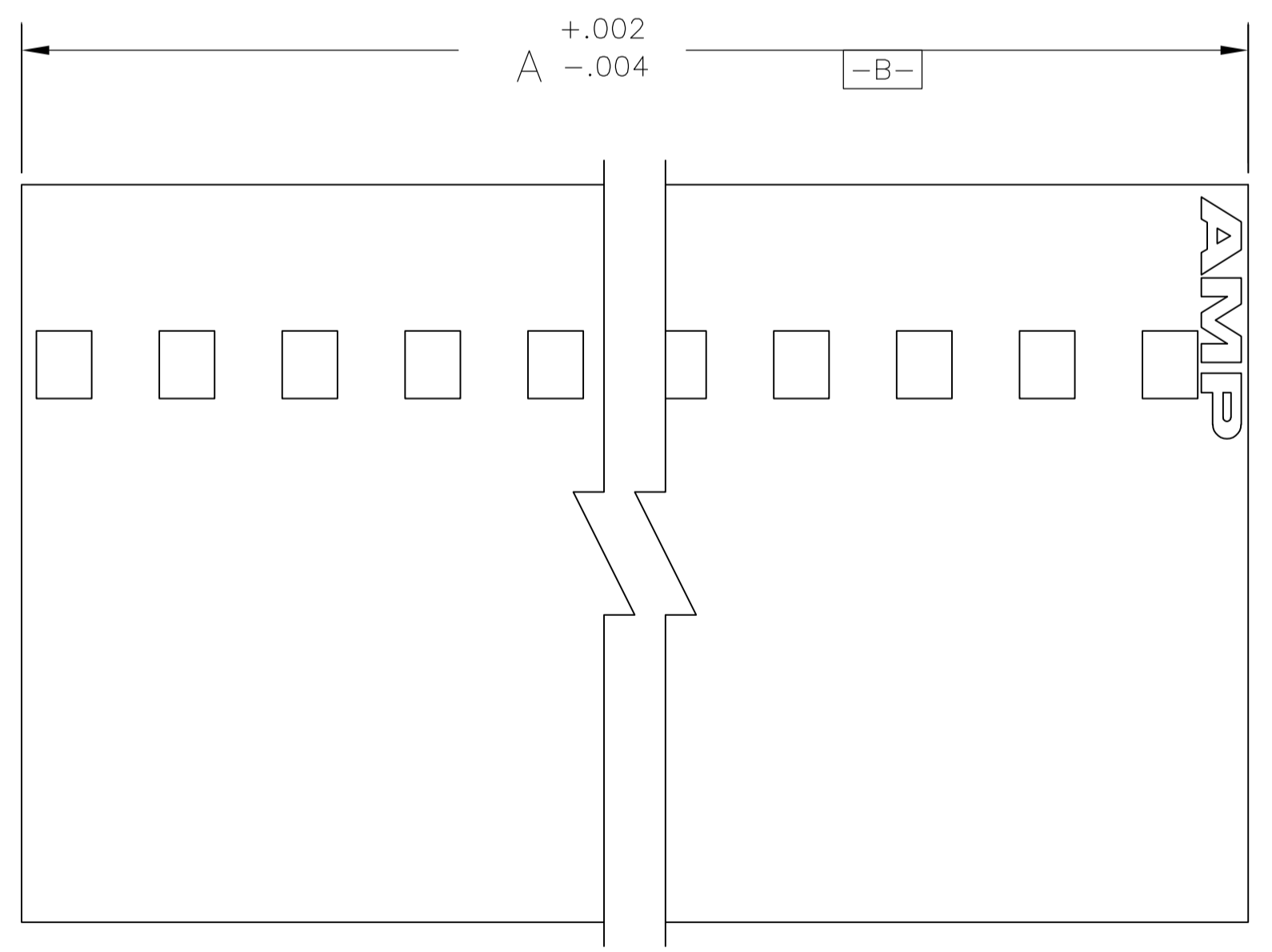
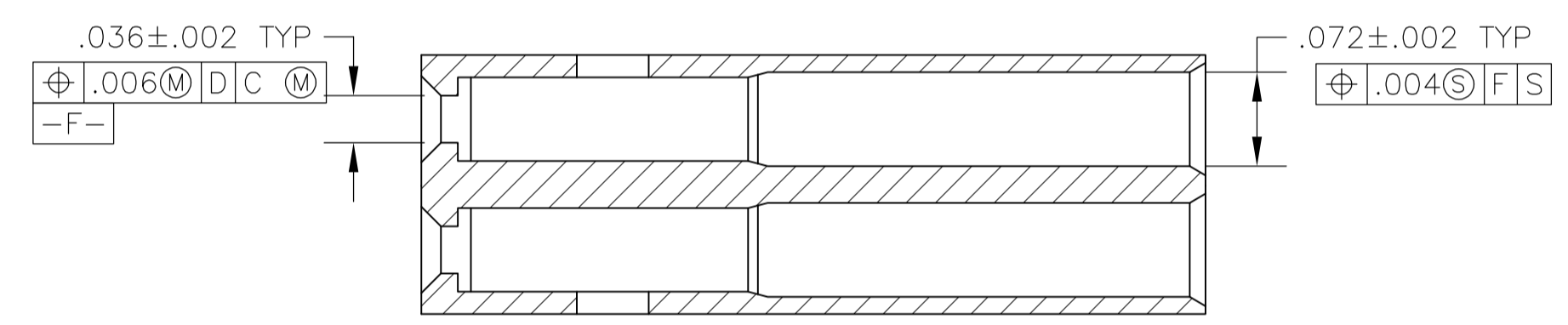
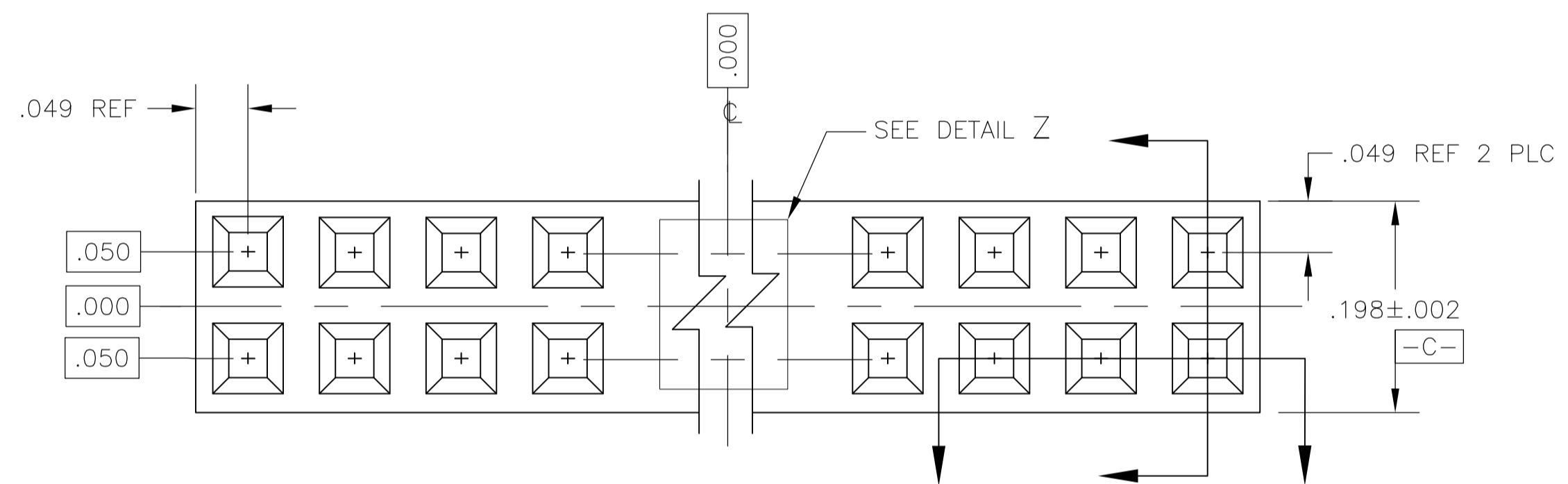
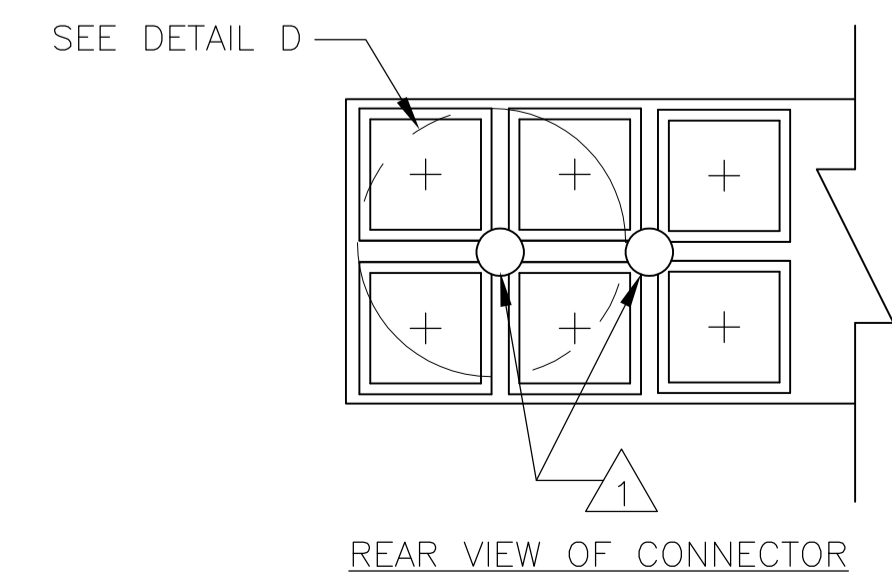


1 EJECTOR FEATURES AT MOLDER'S DISCRETION (QUANTITY AND LOCATION).



DETAIL D SCALE 10:1



REAR VIEW OF CONNECTOR

2.598	25	52	2-104482-0
2.198	21	44	1-104482-9
1.998	19	40	1-104482-8
1.898	18	38	1-104482-7
1.798	17	36	1-104482-6
1.698	16	34	1-104482-5
1.598	15	32	1-104482-4
1.498	14	30	1-104482-3
1.398	13	28	1-104482-2
1.298	12	26	1-104482-1
1.098	10	22	1-104482-0
.998	9	20	104482-9
.898	8	18	104482-8
.798	7	16	104482-7
.698	6	14	104482-6
.598	5	12	104482-5
.498	4	10	104482-4
.398	3	8	104482-3
.298	2	6	104482-2
.198	1	4	104482-1
A	NO OF SP	NO OF POSN	PART NUMBER

THIS DRAWING IS A CONTROLLED DOCUMENT.

DIMENSIONS: INCHES	TOLERANCES UNLESS OTHERWISE SPECIFIED:	DWN: SCOTT A. SHUEY 17MAY99	NAME: R. FLICKER 18MAY99
0 PLC ± -	1 PLC ± -	2 PLC ± -	3 PLC ± -
4 PLC ± -	ANGLES ± -	APPLICABLE SPEC: PRODUCT SPEC	
MATERIAL: FLAME RETARDANT THERMOPLASTIC COLOR: BLACK	FINISH: -	WEIGHT: -	SIZE: A1
CUSTOMER DRAWING		SCALE: 8:1	SHEET: 1 OF 1

STE TE Connectivity

RCPT HSG, DBL ROW, .100x.100 CL, SHORT PT, AMPMODU

00779 104482

Mouser Electronics

Authorized Distributor

Click to View Pricing, Inventory, Delivery & Lifecycle Information:

[TE Connectivity:](#)

[104482-7](#)