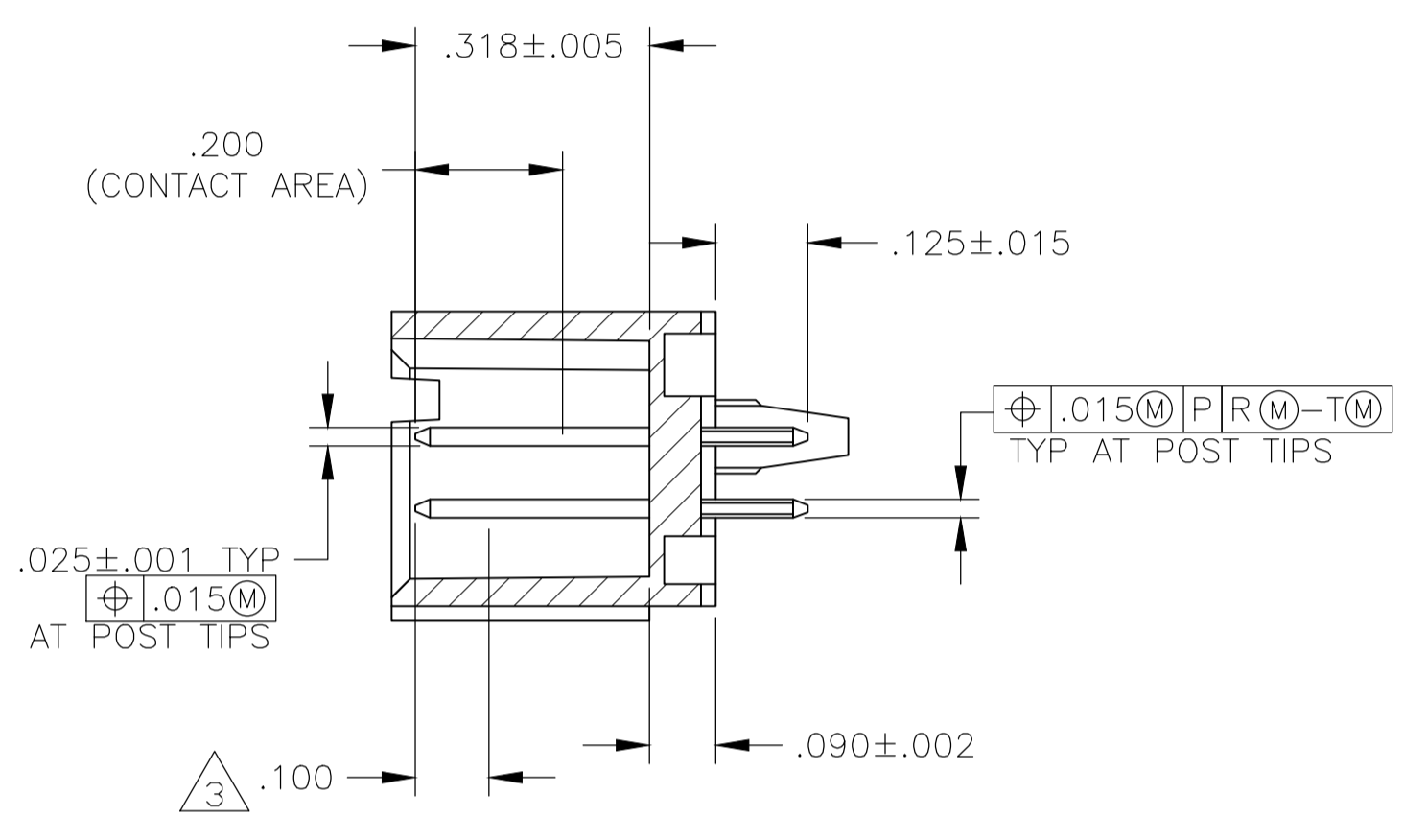
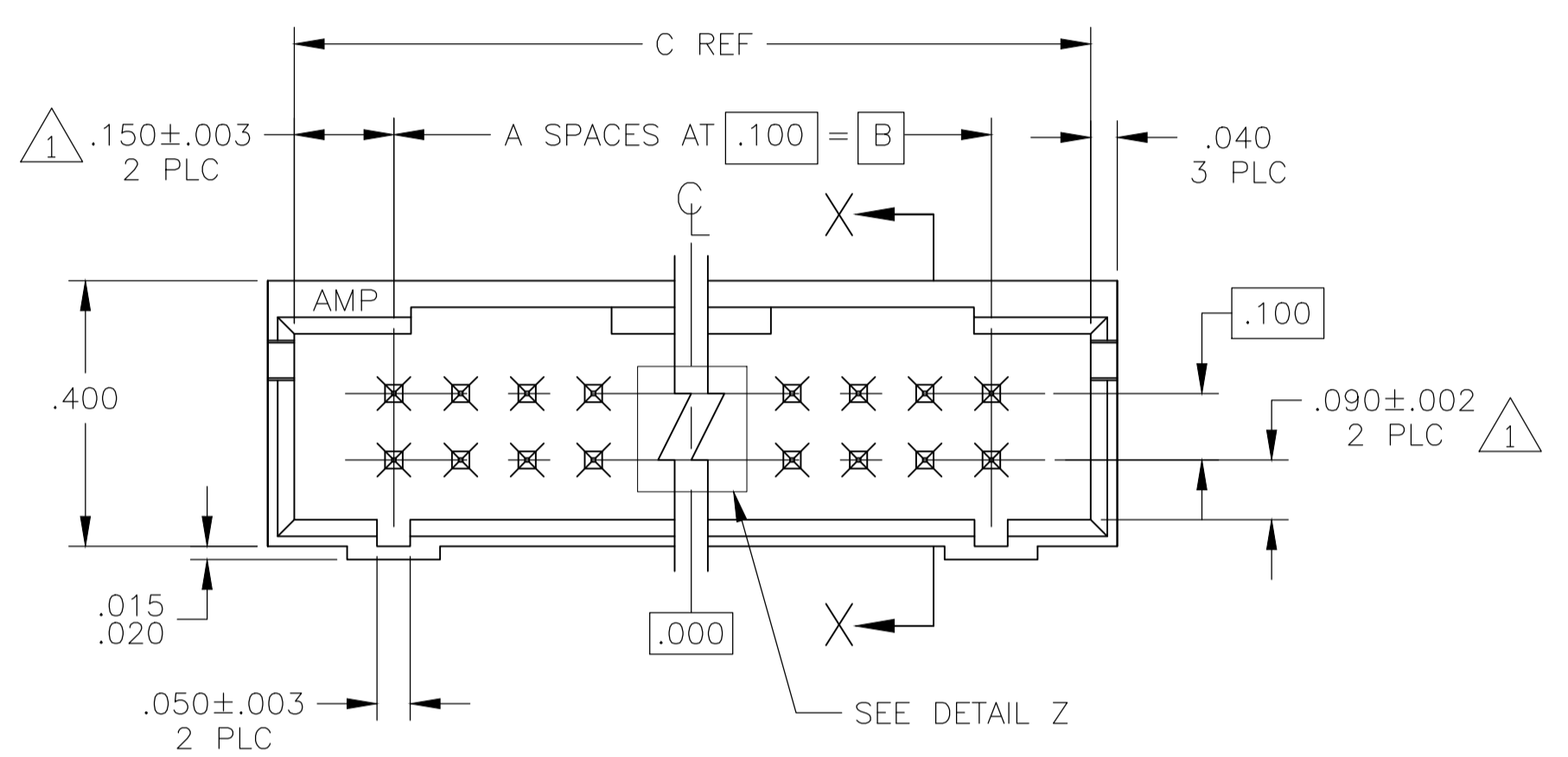
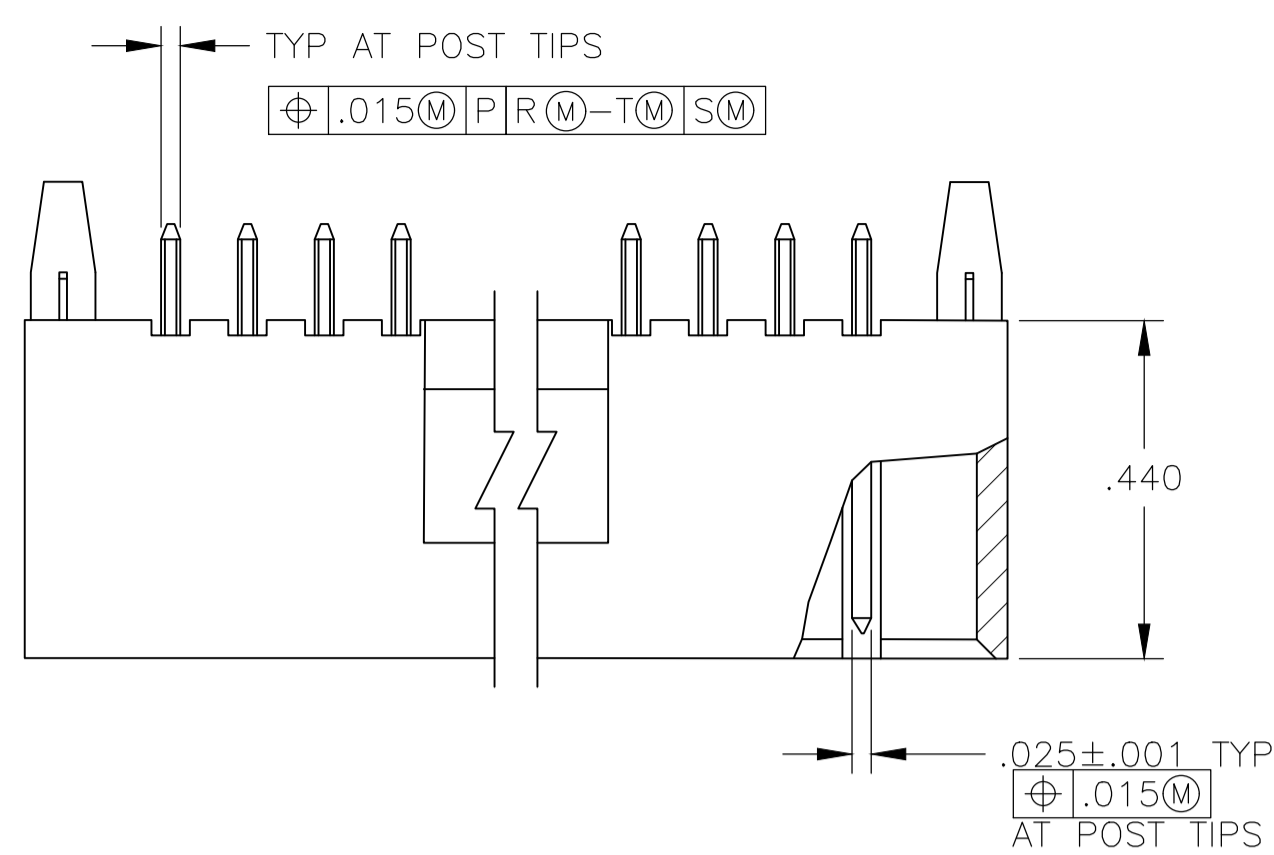
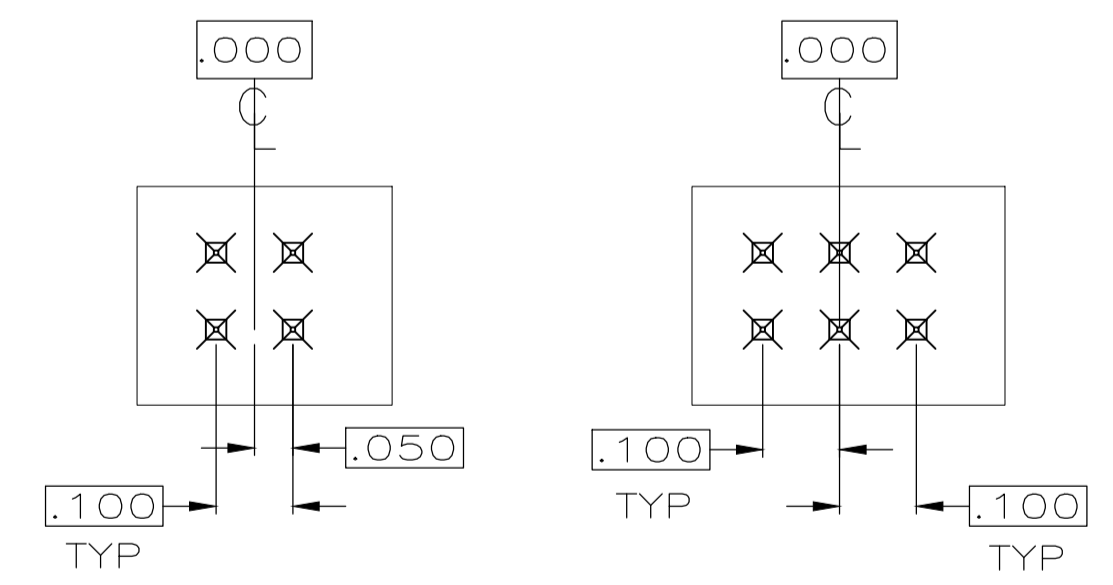
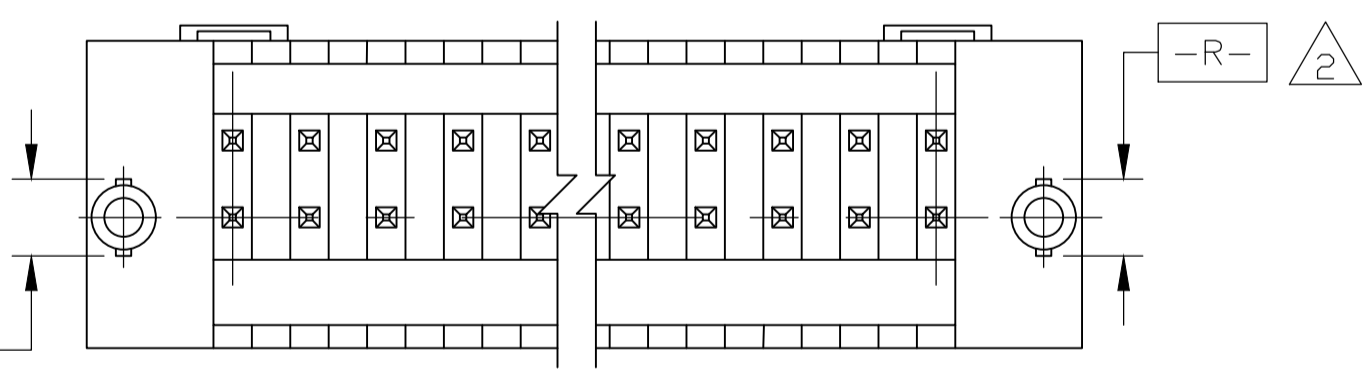
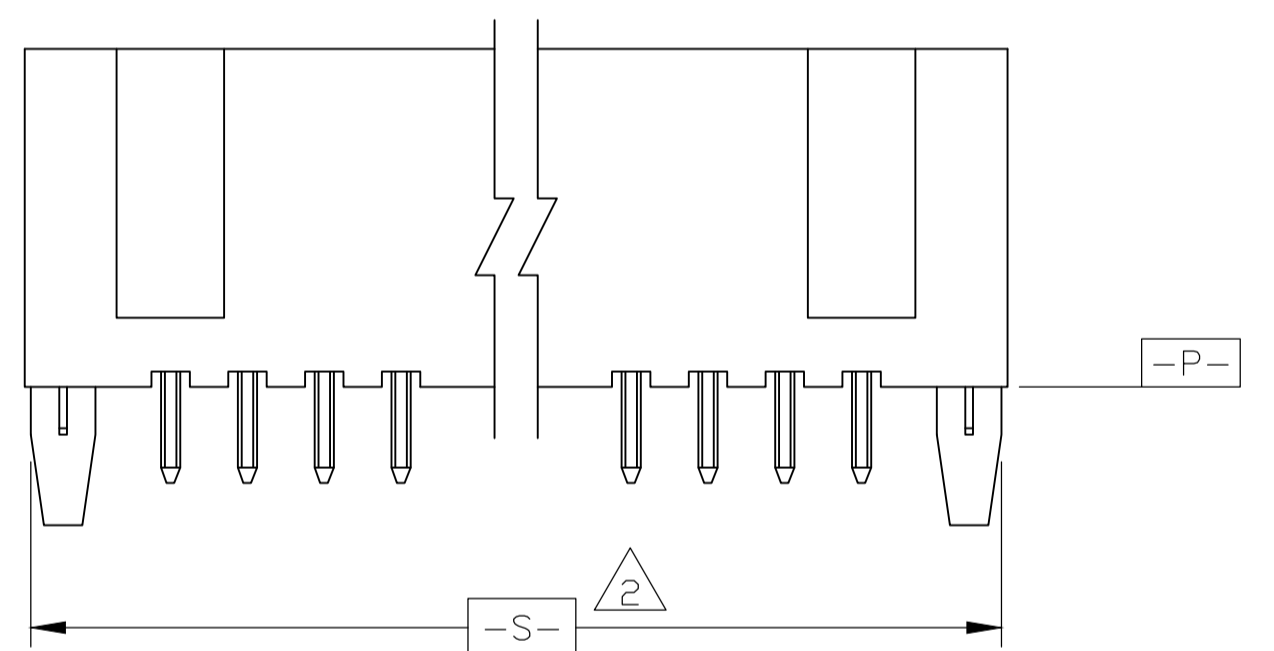


REVISIONS				
P	LTR	DESCRIPTION	DATE	APPV
K3		PART STATUS UPDATED IN PART LIST TABLE	16FEB2018	SD PS

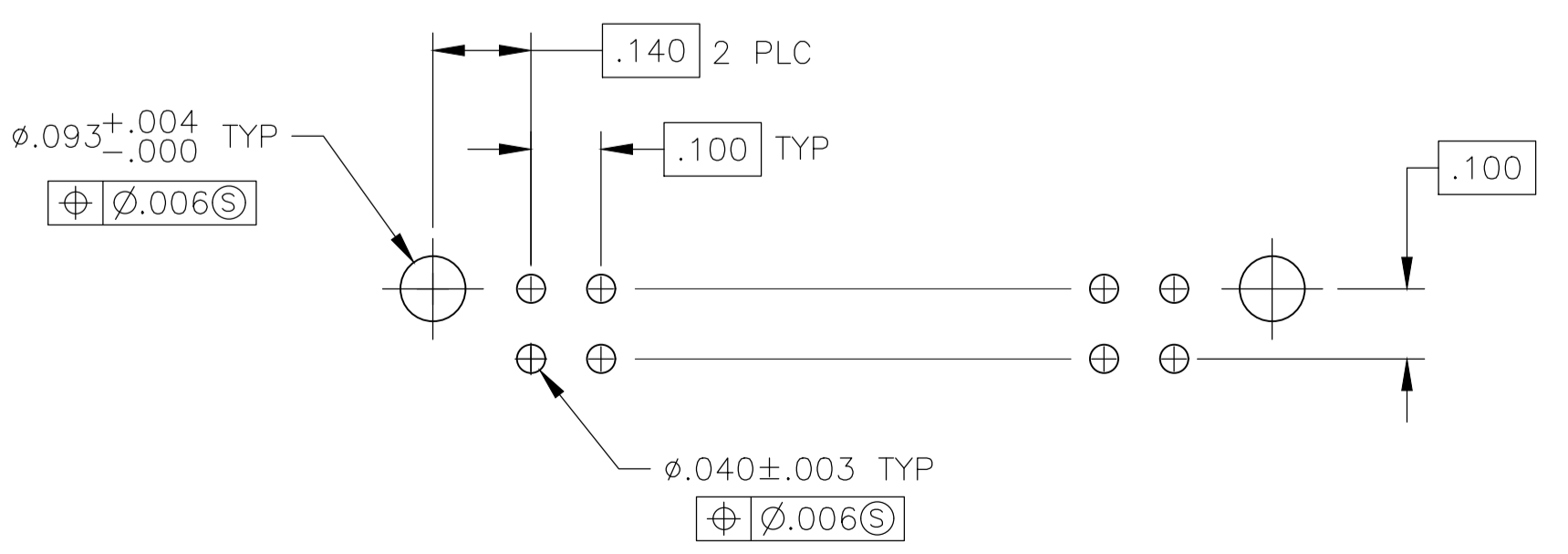


SECTION X-X



BASIC DIMENSION FOR ODD NO. OF SPACES (SEE TABLE) BASIC DIMENSION FOR EVEN NO. OF SPACES (SEE TABLE)

DETAIL Z



RECOMMENDED HOLE LAYOUT

- 1 THE NOTED DIMENSIONS APPLY AT THE INTERSECTION OF THE POST AND HOUSING
- 2 THE NOTED DIMENSIONS APPLY AT THE INTERSECTION WITH DATUM -P-
- 3 POINT OF MEASUREMENT FOR PLATING THICKNESS
- 4 PRELIMINARY PART - NOT RELEASED FOR PRODUCTION.
- 5 MATERIAL: HOUSING- FLAME RETARDANT THERMOPLASTIC, COLOR- BLACK
POST- PHOS BRONZE
- 6 FINISH: POST- .000015 GOLD IN CONTACT AREA, .000100-.000200 MATTE TIN-LEAD ON SOLDERTAIL, ALL OVER .000050 NICKEL
- 7 FINISH: POST- .000015 GOLD IN CONTACT AREA, .000100-.000200 MATTE TIN ON SOLDERTAIL, ALL OVER .000050 NICKEL
- 8 OBSOLETE PARTS: OBSOLETE CIS STREAMLINING PER D.RENAUD/D.SINISI

8	OBSOLETE	1.900	1.600	16	34	6-104317-8
8	OBSOLETE	2.000	1.700	17	36	6-104317-7
		1.000	.700	7	16	6-104317-6
		2.300	2.000	20	42	6-104317-5
8	OBSOLETE	2.700	2.400	24	50	6-104317-4
8	OBSOLETE	2.600	2.300	23	48	6-104317-3
		2.200	1.900	19	40	6-104317-2
		1.800	1.500	15	32	6-104317-1
		1.700	1.400	14	30	6-104317-0
		1.500	1.200	12	26	5-104317-9
8	OBSOLETE	1.400	1.100	11	24	5-104317-8
		1.300	1.000	10	22	5-104317-7
		1.200	.900	9	20	5-104317-6
		1.100	.800	8	18	5-104317-5
8	OBSOLETE	.900	.600	6	14	5-104317-4
		.800	.500	5	12	5-104317-3
		.700	.400	4	10	5-104317-2
		.500	.200	2	6	5-104317-1
8	OBSOLETE	.600	.300	3	8	4-104317-9
8	OBSOLETE	1.900	1.600	16	34	1-104317-8
8	OBSOLETE	2.000	1.700	17	36	1-104317-7
		1.000	.700	7	16	1-104317-6
		2.300	2.000	20	42	1-104317-5
8	OBSOLETE	2.700	2.400	24	50	1-104317-4
8	OBSOLETE	2.600	2.300	23	48	1-104317-3
		2.200	1.900	19	40	1-104317-2
		1.800	1.500	15	32	1-104317-1
		1.700	1.400	14	30	1-104317-0
		1.500	1.200	12	26	104317-9
		1.400	1.100	11	24	104317-8
		1.300	1.000	10	22	104317-7
		1.200	.900	9	20	104317-6
		1.100	.800	8	18	104317-5
		.900	.600	6	14	104317-4
		.800	.500	5	12	104317-3
		.700	.400	4	10	104317-2
		.500	.200	2	6	104317-1

SUPERSEDED BY 6-104317-0
 SUPERSEDED BY 5-104317-7
 SUPERSEDED BY 5-104317-5
 SUPERSEDED BY 5-104317-3
 SUPERSEDED BY 5-104317-1

PLATING	C	B	A	NO OF POSN	ASSEMBLY PART NUMBER

THIS DRAWING IS A CONTROLLED DOCUMENT. DIMENSIONS: INCHES. TOLERANCES UNLESS OTHERWISE SPECIFIED: 0 PLC ± .005, 1 PLC ± .005, 2 PLC ± .005, 3 PLC ± .005, 4 PLC ± .005, ANGLES ± .005.

DATE: 10-19-87. DRAWING NO: 10-19-87. NAME: HDR ASSY, MOD II, SHROUDED 4 SIDES, DBL ROW, VERT .100X.100 CL, W/ .025 SQ POSTS.

SCALE: 4:1. SHEET 1 OF 1. REV K3.

Mouser Electronics

Authorized Distributor

Click to View Pricing, Inventory, Delivery & Lifecycle Information:

[TE Connectivity:](#)

[5-104317-2](#)