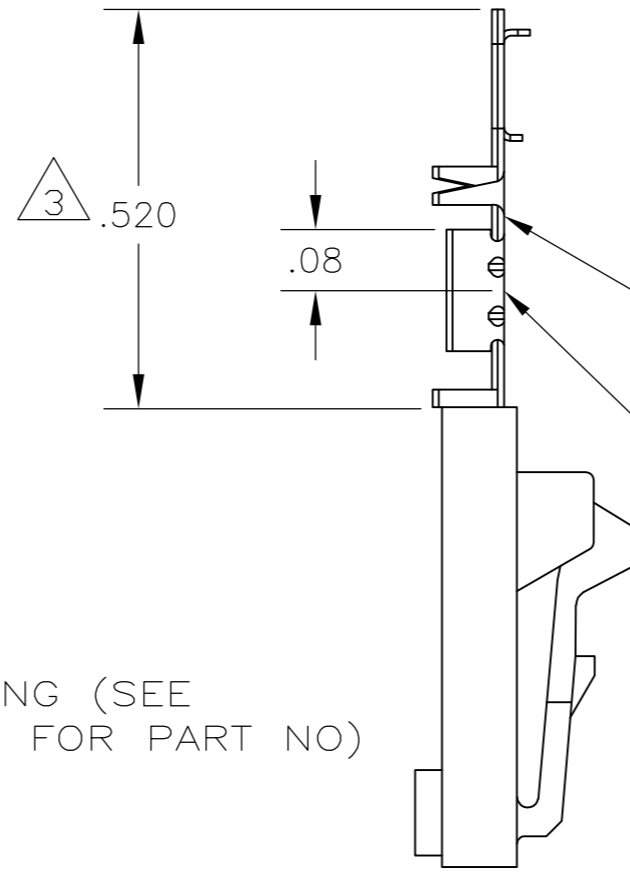
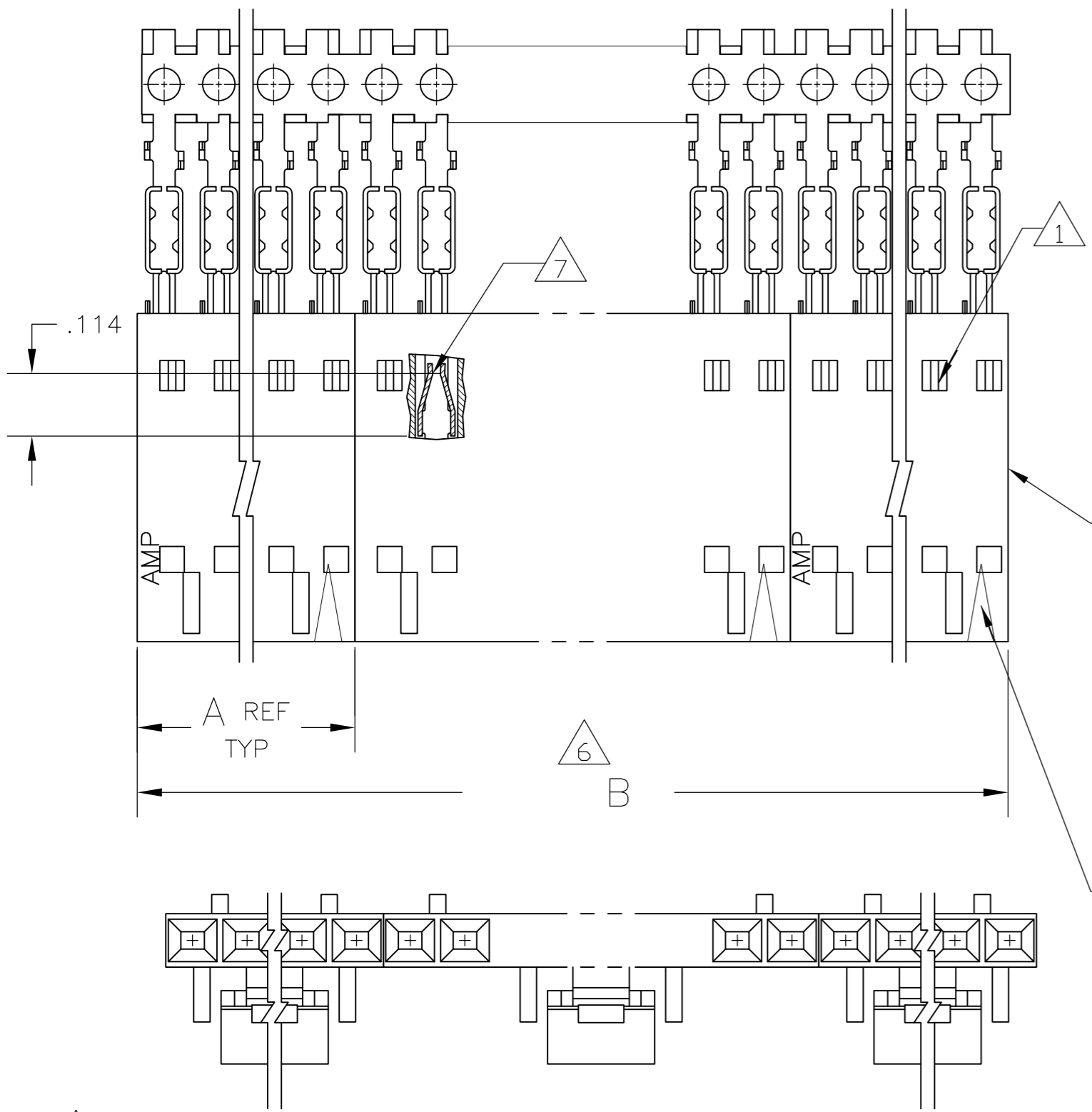
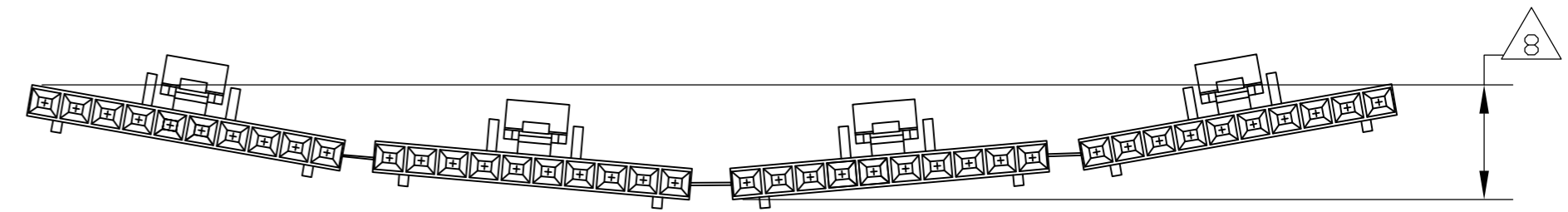


THIS DRAWING IS UNPUBLISHED. RELEASED FOR PUBLICATION. ALL RIGHTS RESERVED.

LOC	DIST	REVISIONS					
		P	LTR	DESCRIPTION	DATE	DWN	APVD
AD	00						
		M2		REVISED PER ECO-11-004917	11MAR11	RK	HMR



CONTACT IDENTIFICATION LETTER "A" (LOCATED IN THIS AREA)



EXAMPLE: STRIP ASSEMBLY SCALE 2:1

HOUSING (SEE TABLE FOR PART NO)

POSITION #1 INDICATOR (FARSIDE)

PLATING	6	B	A	HOUSING PART NUMBER	NO OF POSN	ASSEMBLY PART NUMBER ON STRIP	
13	12	2	2.40	1.198	1-104257-1	12	6-103959-1
13	12	2	2.20	1.098	1-104257-0	11	6-103959-0
	12	2	2.00	.998	104257-9	10	5-103959-9
	12	2	1.80	.898	104257-8	9	5-103959-8
	12	2	1.60	.798	104257-7	8	5-103959-7
13	12	2	1.40	.698	104257-6	7	5-103959-6
	12	4	2.39	.598	104257-5	6	5-103959-5
	12	4	1.99	.498	104257-4	5	5-103959-4
	12	5	1.99	.398	104257-3	4	5-103959-3
	12	8	2.40	.298	104257-2	3	5-103959-2
	12	10	2.00	.198	104257-1	2	5-103959-1
	10	5	1.99	.398	104257-3	4	1-103959-3
	11	4	1.99	.498	104257-4	5	1-103959-2
13	9	2	2.40	1.198	1-104257-1	12	1-103959-1
13	9	2	2.20	1.098	1-104257-0	11	1-103959-0
	9	2	2.00	.998	104257-9	10	103959-9
13 SUPERSEDED	9	2	1.80	.898	104257-8	9	103959-8
	9	2	1.60	.798	104257-7	8	103959-7
13	9	2	1.40	.698	104257-6	7	103959-6
	9	4	2.39	.598	104257-5	6	103959-5
	9	4	1.99	.498	104257-4	5	103959-4
	9	5	1.99	.398	104257-3	4	103959-3
	9	8	2.40	.298	104257-2	3	103959-2
	9	10	2.00	.198	104257-1	2	103959-1

- 1 CONTACTS ARE LATCHED INTO THE PRELOAD WINDOWS
- 2 USE WITH #26-#30 AWG WIRE SIZE, .054/.030 INSULATION DIAMETER, .015 MAXIMUM INSULATION THICKNESS
- 3 THE DIMENSION APPLIES WITH THE FORWARD PRELOAD STOP IN CONTACT WITH THE HOUSING SURFACE
- 4 POINT OF MEASUREMENT FOR PLATING THICKNESS
- 5 FOR INDIVIDUAL ASSEMBLIES SEE PART NUMBER 103641
- 6 ASSEMBLIES ARE JOINED BY THE CARRIER STRIP. ORDER QUANTITY REFLECTS TOTAL NUMBER OF INDIVIDUAL ASSEMBLIES REQUIRED. SEE TABLE FOR NUMBER OF ASSEMBLIES PER STRIP.
- 7 POINT OF MEASUREMENT FOR PLATING THICKNESS (INSIDE BEAMS)
- 8 MAXIMUM ALLOWABLE BOW OF ASSEMBLY NOT TO EXCEED .055.
- 9 .000100-.000200 BRIGHT TIN-LEAD OVER .000050 NICKEL.
- 10 .000100-.000200 BRIGHT TIN OVER .000050 NICKEL.
- 11 PRELIMINARY PART - NOT RELEASED FOR PRODUCTION.
- 12 .000100-.000200 MATTE TIN OVER .000050 NICKEL.
- 13 OBSOLETE PARTS: OBSOLETE CIS STREAMLINING PER D.RENAUD/D.SINISI

THIS DRAWING IS A CONTROLLED DOCUMENT.

DWN L A MAYER 11-4-86
CHK P de Jong 11-12-86
APVD P de Jong 11-12-86

TE Connectivity

RCPT ASSY, AMPMODU MTE, SINGLE ROW .100 C/L, LATCHED AND POLARIZED FOR #26-#30 AWG WIRE SIZE, STRIP FORM

108-25034
114-25026

SIZE A2 CAGE CODE 00779 C=103959

SCALE 4:1 SHEET 1 of 1 REV M2

Mouser Electronics

Authorized Distributor

Click to View Pricing, Inventory, Delivery & Lifecycle Information:

[TE Connectivity:](#)

[5-103959-5](#)