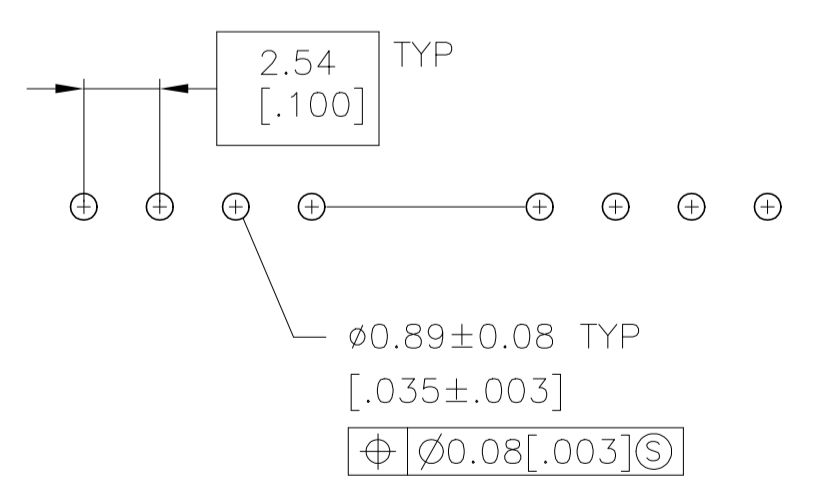
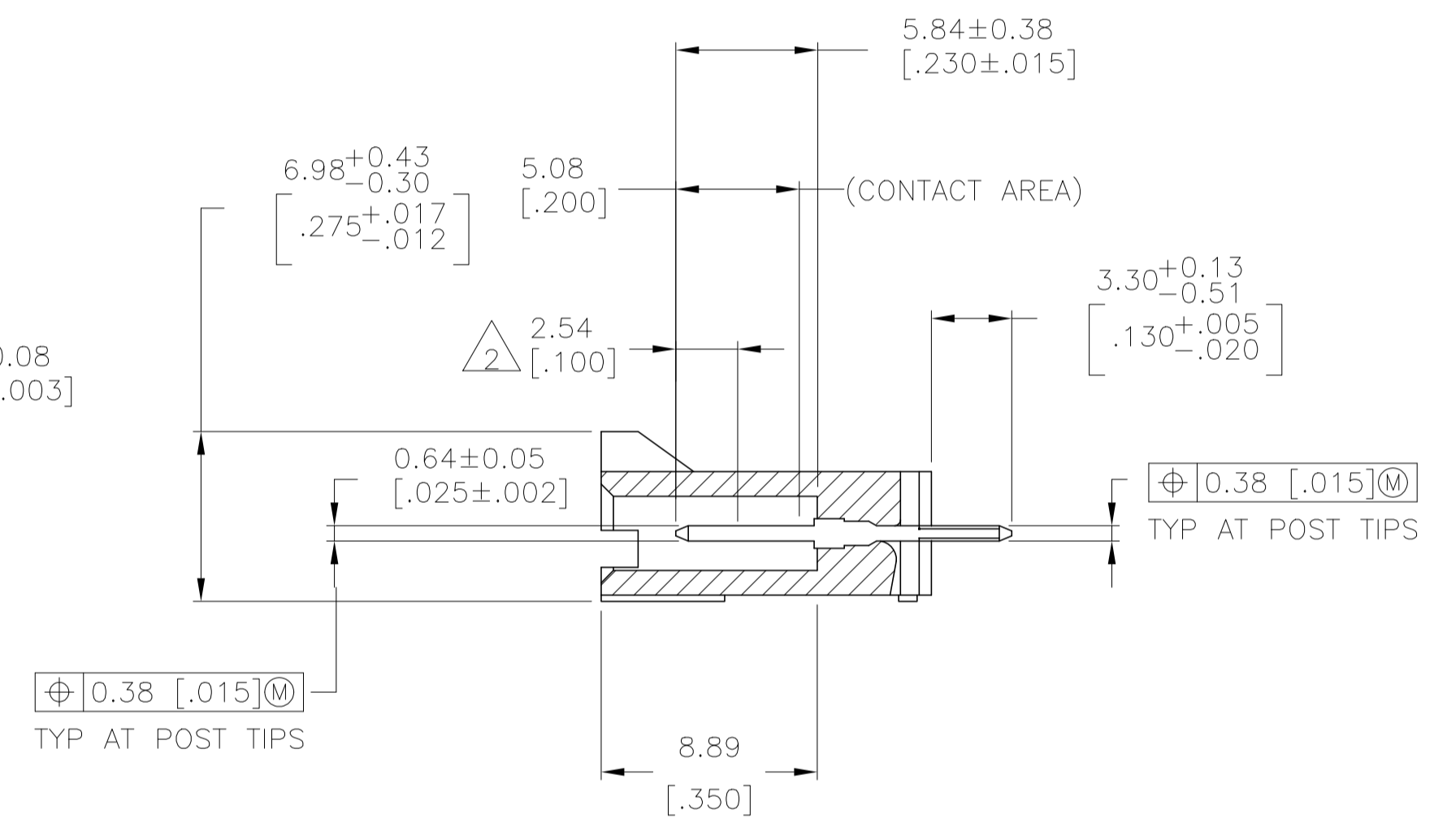
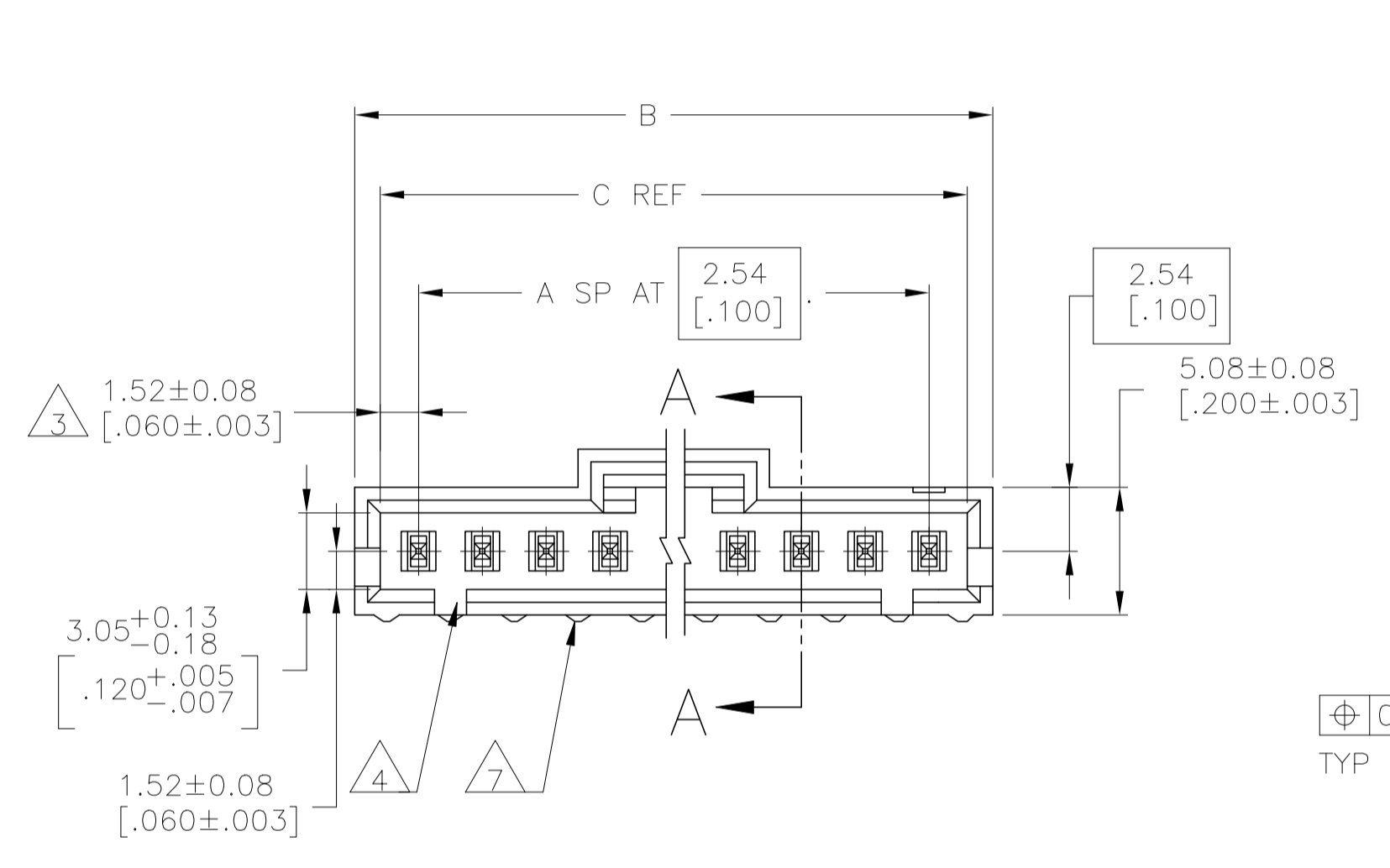
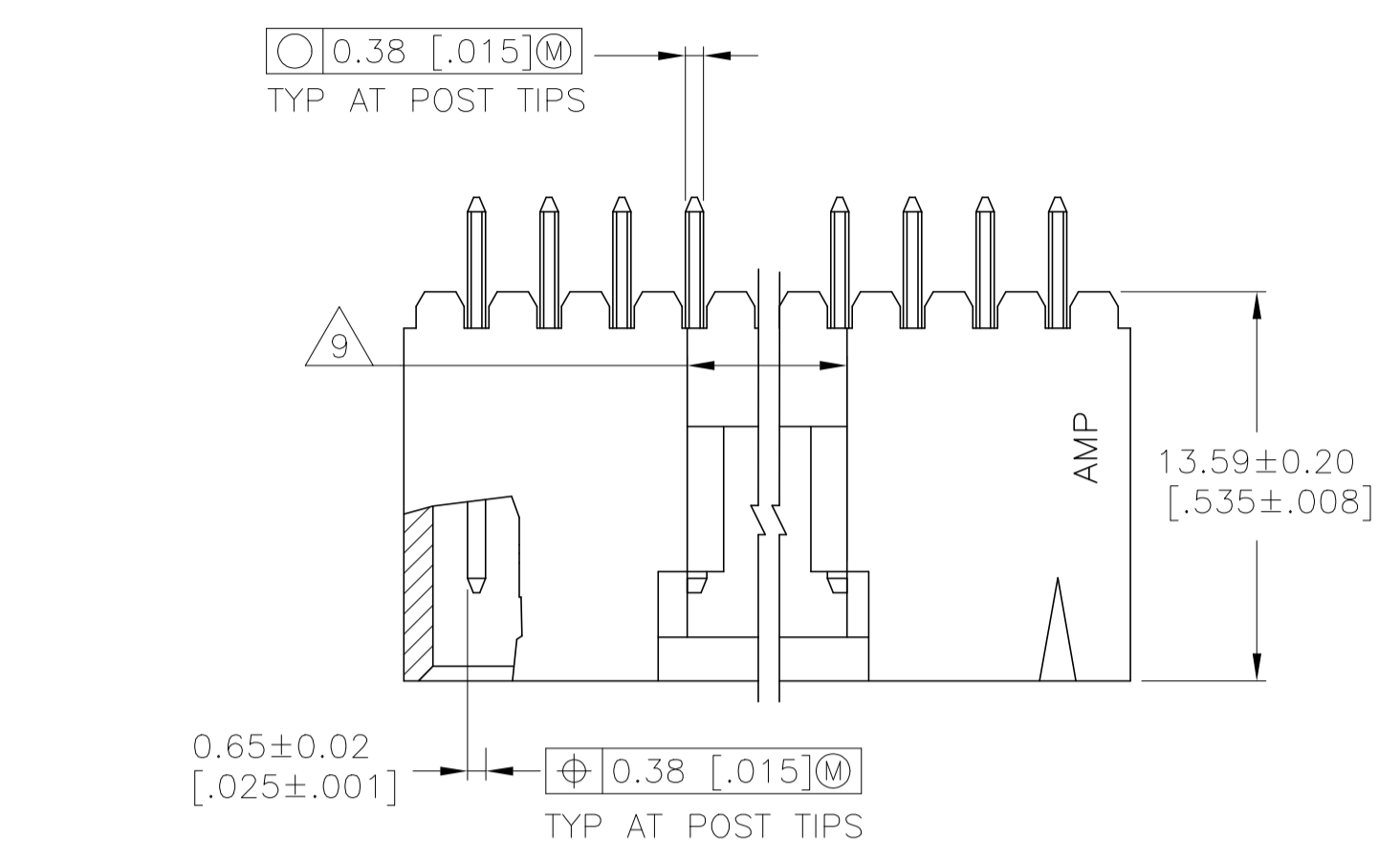


REVISIONS					
P	LTR	DESCRIPTION	DATE	DRN	APVD
V		REVISED PER ECO-17-002209	11APR2017	RS	MM
W		REVISED PER ECO-20-001323	19JUN2020	SM	JO

- 1 .00076[.000030] GOLD IN THE CONTACT AREA, .00254[.000100] MATTE TIN-LEAD ON REMAINDER OF CONTACT, ALL OVER .00127[.000050] NICKEL.
- 2 POINT OF MEASUREMENT FOR PLATING THICKNESS.
- 3 THE NOTED DIMENSIONS APPLY AT THE INTERSECTION OF THE POST AND THE HOUSING.
- 4 ON ASSEMBLIES WITH FOUR OR MORE POSITIONS, TWO POLARIZATION SLOTS. ON ASSEMBLIES WITH TWO OR THREE POSITIONS, ONE POLARIZATION SLOT.
- 5 .00076[.000030] GOLD IN THE CONTACT AREA, .00254[.000100] MATTE TIN ON REMAINDER OF CONTACT, ALL OVER .00127[.000050] NICKEL.
- 6 HIGH TEMPERATURE CONFIGURATION
- 7 STANDOFFS NOT PRESENT ON UNDERSIDE OF ASSEMBLY
- 8 OBSOLETE PARTS: OBSOLETE CIS STREAMLINING PER D.RENAUD/D.SINISI
- 9 0.25 [.010] RECESS PERMISSIBLE IN THIS AREA FOR MOLD SHUT OFF



RECOMMENDED HOLE LAYOUT

REMARKS	PLATING	C	B	A	NO. OF POSN	PART NO.	
		64.01 [2.520]	65.91 [2.595]		24	25	2-103735-4
8 OBSOLETE		61.47 [2.420]	63.37 [2.495]		23	24	-2-103735-3
8 OBSOLETE		58.93 [2.320]	60.83 [2.395]		22	23	-2-103735-2
8 OBSOLETE		56.39 [2.220]	58.29 [2.295]		21	22	-2-103735-1
8 OBSOLETE		53.85 [2.120]	55.75 [2.195]		20	21	-2-103735-0
		51.31 [2.020]	53.21 [2.095]		19	20	1-103735-9
8 OBSOLETE		48.77 [1.920]	50.67 [1.995]		18	19	-1-103735-8
		46.23 [1.820]	48.13 [1.895]		17	18	1-103735-7
		43.69 [1.720]	45.59 [1.795]		16	17	1-103735-6
		41.15 [1.620]	43.05 [1.695]		15	16	1-103735-5
		38.61 [1.520]	40.51 [1.595]		14	15	1-103735-4
		36.07 [1.420]	37.97 [1.495]		13	14	1-103735-3
		33.53 [1.320]	35.43 [1.395]		12	13	1-103735-2
		30.99 [1.220]	32.89 [1.295]		11	12	1-103735-1
		28.45 [1.120]	30.35 [1.195]		10	11	1-103735-0
		25.91 [1.020]	27.81 [1.095]		9	10	103735-9
		23.37 [.920]	25.27 [0.995]		8	9	103735-8
		20.83 [.820]	22.73 [.895]		7	8	103735-7
		18.29 [.720]	20.19 [.795]		6	7	103735-6
		15.75 [.620]	17.65 [.695]		5	6	103735-5
		13.21 [.520]	15.11 [.595]		4	5	103735-4
		10.67 [.420]	12.57 [.495]		3	4	103735-3
		8.13 [.320]	10.03 [.395]		2	3	103735-2
		5.59 [.220]	7.49 [.295]		1	2	103735-1

THIS DRAWING IS A CONTROLLED DOCUMENT. DWN S. SHUEY 3-5-91

DIMENSIONS: min [INCHES]

TOLERANCES UNLESS OTHERWISE SPECIFIED:

0 PLC ±

1 PLC ±

2 PLC ± 0.13[.005]

3 PLC ±

4 PLC ±

ANGLES ±

MATERIAL: HOUSING: FLAME RETARDANT LCP COLOUR: BLACK CONTACTS: BRASS FINISH: SEE TABLE WEIGHT: CUSTOMER DRAWING

DW L. CASTAGNA 3-27-91

APVD L. CASTAGNA 3-27-91 NAME

PRODUCT SPEC: HDR ASSY, VERT, SINGLE ROW 2.54[.100] C, 0.64[.025] SQ POST, WITH PLZN & LATCHING, AMPMODU MTE

APPLICATION SPEC: SIZE CAGE CODE DRAWING NO: A100779 C=103735 RESTRICTED TO: 103735-1

SCALE: 4:1 SHEET 1 OF 2 REV W

STE TE Connectivity

THIS DRAWING IS UNPUBLISHED. RELEASED FOR PUBLICATION
 © COPYRIGHT - By - ALL RIGHTS RESERVED.

REVISIONS				
P	LTR	DESCRIPTION	DATE	APP'D
		SEE SHEET 1	-	-

REMARKS	PLATING	C	B	A	NO. OF POSN	PART NO.
					24	7-103735-4
OBSELETE					23	-7-103735-3
OBSELETE					22	-7-103735-2
OBSELETE					21	-7-103735-1
OBSELETE					20	-7-103735-0
					19	6-103735-9
OBSELETE					18	-6-103735-8
OBSELETE					17	-6-103735-7
					16	6-103735-6
					15	6-103735-5
					14	6-103735-4
					13	6-103735-3
OBSELETE					12	-6-103735-2
					11	6-103735-1
					10	6-103735-0
					9	5-103735-9
					8	5-103735-8
					7	5-103735-7
					6	5-103735-6
					5	5-103735-5
					4	5-103735-4
					3	5-103735-3
					2	5-103735-2
					1	5-103735-1

THIS DRAWING IS A CONTROLLED DOCUMENT. DWN S. SHUEY 3-5-91
 DWK L. CASTAGNA 3-27-91
 APVD L. CASTAGNA 3-27-91

STE TE Connectivity

PRODUCT SPEC: HDR ASSY, VERT, SINGLE ROW
 2.54[.100] @ 0.64[.025] SQ POST,
 WITH PLZN & LATCHING, AMPMODU MTE

APPLICATION SPEC: ---

SIZE: A1 CAGE CODE: 100779 DRAWING NO: 103735 RESTRICTED TO: ---

MATERIAL: HOUSING: PLAME RETARDANT COP COLOUR: BLACK CONTACTS: BRASS FINISH: SEE TABLE WEIGHT: ---

CUSTOMER DRAWING SCALE: 4:1 SHEET: 2 OF 2 REV: W

Mouser Electronics

Authorized Distributor

Click to View Pricing, Inventory, Delivery & Lifecycle Information:

[TE Connectivity:](#)

[7-103735-4](#)