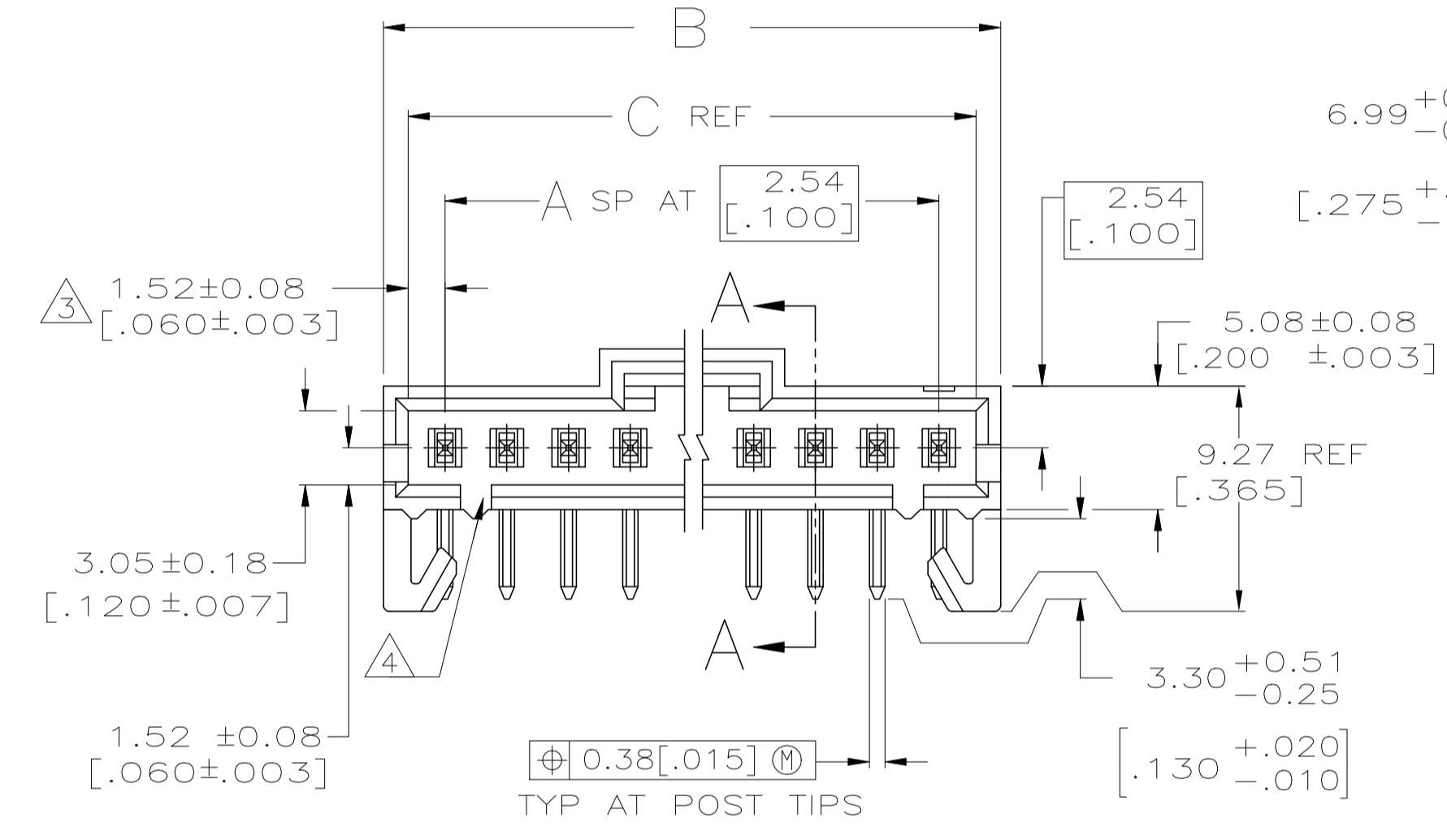
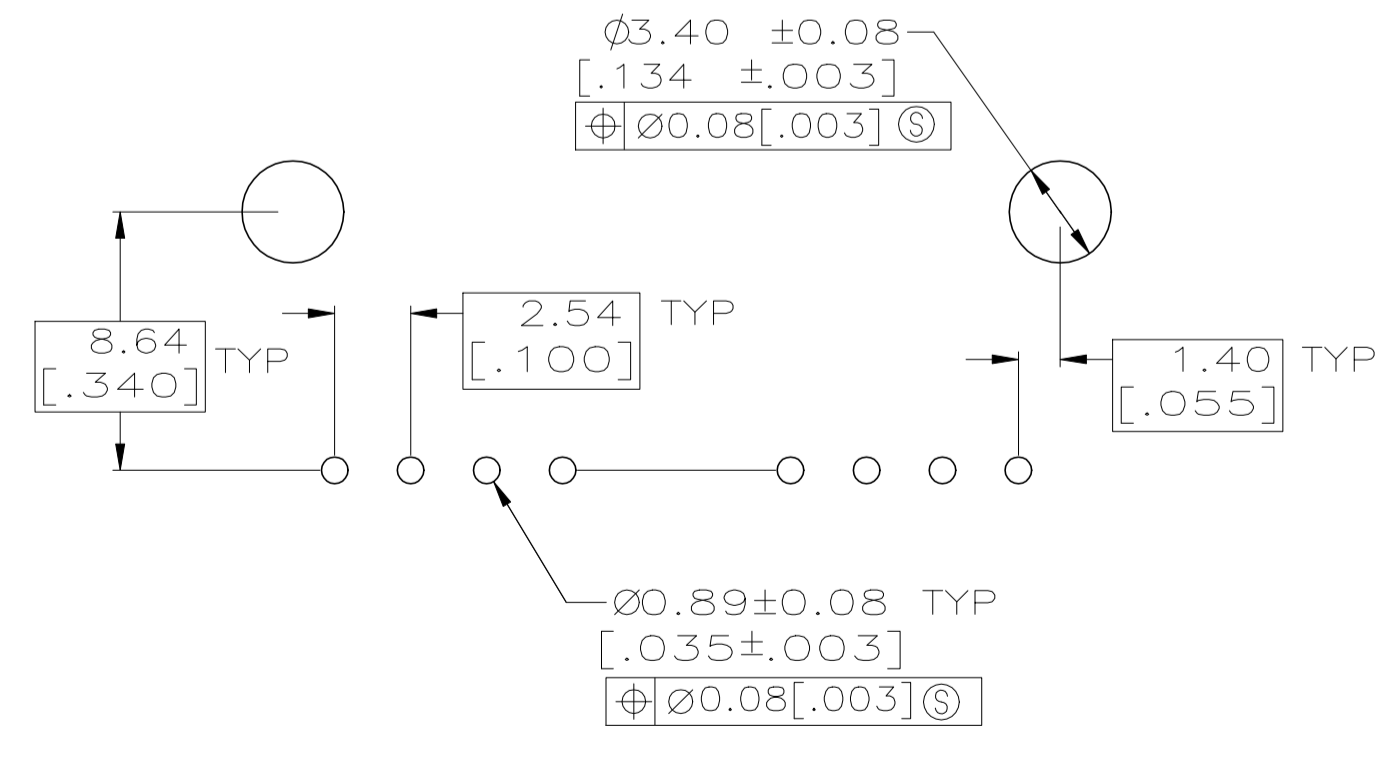


| REVISIONS | | | | |
|-----------|-----|---------------------------|-----------|------------|
| P | LTR | DESCRIPTION | DATE | DRN / APVD |
| U | | REVISED PER ECO-17-002583 | 08APR2017 | RS / MM |
| V | | REVISED PER ECO-20-001323 | 17JUN2020 | SM / JO |



SECTION A-A

- ① .00038[.000015] GOLD IN THE CONTACT AREA, .00254[.000100] MATTE TIN-LEAD ON REMAINDER OF CONTACT, ALL OVER .00127[.000050] NICKEL.
- ② POINT OF MEASUREMENT FOR PLATING THICKNESS.
- ③ THE NOTED DIMENSIONS APPLY AT THE INTERSECTION OF THE POST AND THE HOUSING.
- ④ ON ASSEMBLIES WITH FOUR OR MORE POSITIONS, TWO POLARIZATION SLOTS. ON ASSEMBLIES WITH TWO OR THREE POSITIONS, ONE POLARIZATION SLOT.
- ⑤ AMP TRADEMARK MOLDED ON THIS SURFACE.
- 6. FOR USE WITH 1.57±0.20[.062±.008] PRINTED CIRCUIT BOARD.
- ⑦ .00038[.000015] GOLD IN THE CONTACT AREA, .00254[.000100] MATTE TIN ON REMAINDER OF CONTACT, ALL OVER .00127[.000050] NICKEL.
- ⑧ PRELIMINARY PART - NOT RELEASED FOR PRODUCTION.
- ⑨ HIGH TEMPERATURE CONFIGURATION.
- ⑩ OBSOLETE PARTS: OBSOLETE CIS STREAMLINING PER D.RENAUD/D.SINISI
- ⑪ 0.25 [.010] RECESS PERMISSIBLE IN THIS AREA FOR MOLD SHUT OFF



RECOMMENDED HOLE LAYOUT

SEE SHEET 2 FOR PART NUMBER TABLES

| | | | | |
|--|----------------------|--------------------|---------|--------------------------------------|
| THIS DRAWING IS A CONTROLLED DOCUMENT. | | DWN S. SHUEY | OSMAR91 | STE TE Connectivity |
| DIMENSIONS: mm [INCHES] | | DRW J. GESFORD | OSMAR91 | |
| TOLERANCES UNLESS OTHERWISE SPECIFIED: | | APVD J. GESFORD | OSMAR91 | NAME |
| 0 PLC ± - | | PRODUCT SPEC | | HDR ASSY, RTANG, SINGLE ROW |
| 1 PLC ± - | | APPLICATION SPEC | | 2.54[.100] C/L 0.641[.025] SQ. POST, |
| 2 PLC ± 0.13[.005] | | 108-25034 | | WITH PLZN & HOLD DOWNS, AMPMODU MTE |
| 3 PLC ± - | | 114-25026 | | SIZE CAGE CODE DRAWING NO |
| 4 PLC ± - | | CUSTOMER DRAWING | | A1 00779 C=103673 |
| ANGLES ± - | | SCALE 4:1 | | SHEET 1 OF 2 |
| MATERIAL: HOUSING: FLAME RETARDANT LCP,COLOR BLACK, CONTACTS: BRASS | FINISH: SEE TABLE | WEIGHT | | RESTRICTED TO |

| | | | | | | | | |
|---------|---------|------------------|------------------|----|-------------|------------|----------|----|
| 9 | 7 | 64.01 [2.520] | 65.91 [2.595] | 24 | 25 | 7-103673-4 | OBSOLETE | 10 |
| 9 | 7 | 61.47 [2.420] | 63.37 [2.495] | 23 | 24 | 7-103673-3 | | |
| 9 | 7 | 58.93 [2.320] | 60.83 [2.395] | 22 | 23 | 7-103673-2 | OBSOLETE | 10 |
| 9 | 7 | 56.39 [2.220] | 58.29 [2.295] | 21 | 22 | 7-103673-1 | OBSOLETE | 10 |
| 9 | 7 | 53.85 [2.120] | 55.75 [2.195] | 20 | 21 | 7-103673-0 | OBSOLETE | 10 |
| 9 | 7 | 51.31 [2.020] | 53.21 [2.095] | 19 | 20 | 6-103673-9 | | |
| 9 | 7 | 48.77 [1.920] | 50.67 [1.995] | 18 | 19 | 6-103673-8 | OBSOLETE | 10 |
| 9 | 7 | 46.23 [1.820] | 48.13 [1.895] | 17 | 18 | 6-103673-7 | OBSOLETE | 10 |
| 9 | 7 | 43.69 [1.720] | 45.59 [1.795] | 16 | 17 | 6-103673-6 | | |
| 9 | 7 | 41.15 [1.620] | 43.05 [1.695] | 15 | 16 | 6-103673-5 | | |
| 9 | 7 | 38.61 [1.520] | 40.51 [1.595] | 14 | 15 | 6-103673-4 | | |
| 9 | 7 | 36.07 [1.420] | 37.97 [1.495] | 13 | 14 | 6-103673-3 | | |
| 9 | 7 | 33.53 [1.320] | 35.43 [1.395] | 12 | 13 | 6-103673-2 | OBSOLETE | 10 |
| 9 | 7 | 30.99 [1.220] | 32.89 [1.295] | 11 | 12 | 6-103673-1 | | |
| 9 | 7 | 28.45 [1.120] | 30.35 [1.195] | 10 | 11 | 6-103673-0 | | |
| 9 | 7 | 25.91 [1.020] | 27.81 [1.095] | 9 | 10 | 5-103673-9 | | |
| 9 | 7 | 23.37 [.920] | 25.27 [0.995] | 8 | 9 | 5-103673-8 | | |
| 9 | 7 | 20.83 [.820] | 22.73 [.895] | 7 | 8 | 5-103673-7 | | |
| 9 | 7 | 18.29 [.720] | 20.19 [.795] | 6 | 7 | 5-103673-6 | | |
| 9 | 7 | 15.75 [.620] | 17.65 [.695] | 5 | 6 | 5-103673-5 | | |
| 9 | 7 | 13.21 [.520] | 15.11 [.595] | 4 | 5 | 5-103673-4 | | |
| 9 | 7 | 10.67 [.420] | 12.57 [.495] | 3 | 4 | 5-103673-3 | | |
| 9 | 7 | 8.13 [.320] | 10.03 [.395] | 2 | 3 | 5-103673-2 | | |
| 9 | 7 | 5.59 [.220] | 7.49 [.295] | 1 | 2 | 5-103673-1 | | |
| REMARKS | PLATING | C | B | A | NO. OF POSN | PART NO. | | |

| | | | | | | | | |
|---------|---------|------------------|------------------|----|-------------|------------|----------|----|
| 8 | 7 | 41.15 [1.620] | 43.05 [1.695] | 15 | 16 | 2-103673-6 | | |
| 8 | 7 | 18.29 [.720] | 20.19 [.795] | 6 | 7 | 2-103673-5 | | |
| 1 | 1 | 64.01 [2.520] | 65.91 [2.595] | 24 | 25 | 2-103673-4 | | |
| 1 | 1 | 61.47 [2.420] | 63.37 [2.495] | 23 | 24 | 2-103673-3 | | |
| 1 | 1 | 58.93 [2.320] | 60.83 [2.395] | 22 | 23 | 2-103673-2 | OBSOLETE | 10 |
| 1 | 1 | 56.39 [2.220] | 58.29 [2.295] | 21 | 22 | 2-103673-1 | | |
| 1 | 1 | 53.85 [2.120] | 55.75 [2.195] | 20 | 21 | 2-103673-0 | OBSOLETE | 10 |
| 1 | 1 | 51.31 [2.020] | 53.21 [2.095] | 19 | 20 | 1-103673-9 | | |
| 1 | 1 | 48.77 [1.920] | 50.67 [1.995] | 18 | 19 | 1-103673-8 | OBSOLETE | 10 |
| 1 | 1 | 46.23 [1.820] | 48.13 [1.895] | 17 | 18 | 1-103673-7 | | |
| 1 | 1 | 43.69 [1.720] | 45.59 [1.795] | 16 | 17 | 1-103673-6 | | |
| 1 | 1 | 41.15 [1.620] | 43.05 [1.695] | 15 | 16 | 1-103673-5 | | |
| 9 | 1 | 38.61 [1.520] | 40.51 [1.595] | 14 | 15 | 1-103673-4 | | |
| 1 | 1 | 36.07 [1.420] | 37.97 [1.495] | 13 | 14 | 1-103673-3 | | |
| 1 | 1 | 33.53 [1.320] | 35.43 [1.395] | 12 | 13 | 1-103673-2 | OBSOLETE | 10 |
| 1 | 1 | 30.99 [1.220] | 32.89 [1.295] | 11 | 12 | 1-103673-1 | | |
| 1 | 1 | 28.45 [1.120] | 30.35 [1.195] | 10 | 11 | 1-103673-0 | | |
| 1 | 1 | 25.91 [1.020] | 27.81 [1.095] | 9 | 10 | 103673-9 | | |
| 1 | 1 | 23.37 [.920] | 25.27 [0.995] | 8 | 9 | 103673-8 | | |
| 1 | 1 | 20.83 [.820] | 22.73 [.895] | 7 | 8 | 103673-7 | | |
| 1 | 1 | 18.29 [.720] | 20.19 [.795] | 6 | 7 | 103673-6 | | |
| 1 | 1 | 15.75 [.620] | 17.65 [.695] | 5 | 6 | 103673-5 | | |
| 1 | 1 | 13.21 [.520] | 15.11 [.595] | 4 | 5 | 103673-4 | | |
| 1 | 1 | 10.67 [.420] | 12.57 [.495] | 3 | 4 | 103673-3 | | |
| 1 | 1 | 8.13 [.320] | 10.03 [.395] | 2 | 3 | 103673-2 | | |
| 1 | 1 | 5.59 [.220] | 7.49 [.295] | 1 | 2 | 103673-1 | | |
| REMARKS | PLATING | C | B | A | NO. OF POSN | PART NO. | | |

THIS DRAWING IS A CONTROLLED DOCUMENT. DWN S. SHUEY 05MAR91
 DWK J. GESFORD 05MAR91
 APVD J. GESFORD 05MAR91

DIMENSIONS: mm [INCHES]

TOLERANCES UNLESS OTHERWISE SPECIFIED:
 0 PLC ± -
 1 PLC ± -
 2 PLC ± 0.13[.005]
 3 PLC ± -
 4 PLC ± -
 ANGLES ± -

MATERIAL: HOUSING: FLAME RETARDENT
 LOP: COLOR BLACK
 CONTACTS: BRASS

FINISH: SEE TABLE

STE TE Connectivity
 HDR ASSY, RTANG, SINGLE ROW
 2.54[.100] C/L 0.641[.025] SQ. POST.
 WITH PLZN & HOLD DOWNS, AMPMODU MTE

108-25034
 APPLICATION SPEC
 114-25026

SIZE: A1 CAGE CODE: 100779 DRAWING NO: 103673 RESTRICTED TO: -
 SCALE: 4:1 SHEET 2 OF 2 REV V

CUSTOMER DRAWING

Mouser Electronics

Authorized Distributor

Click to View Pricing, Inventory, Delivery & Lifecycle Information:

[TE Connectivity:](#)

[6-103673-9](#)