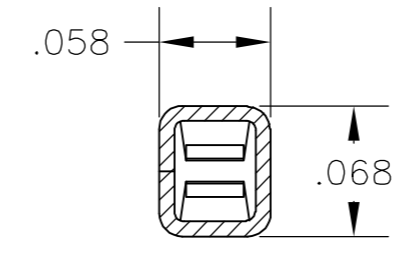
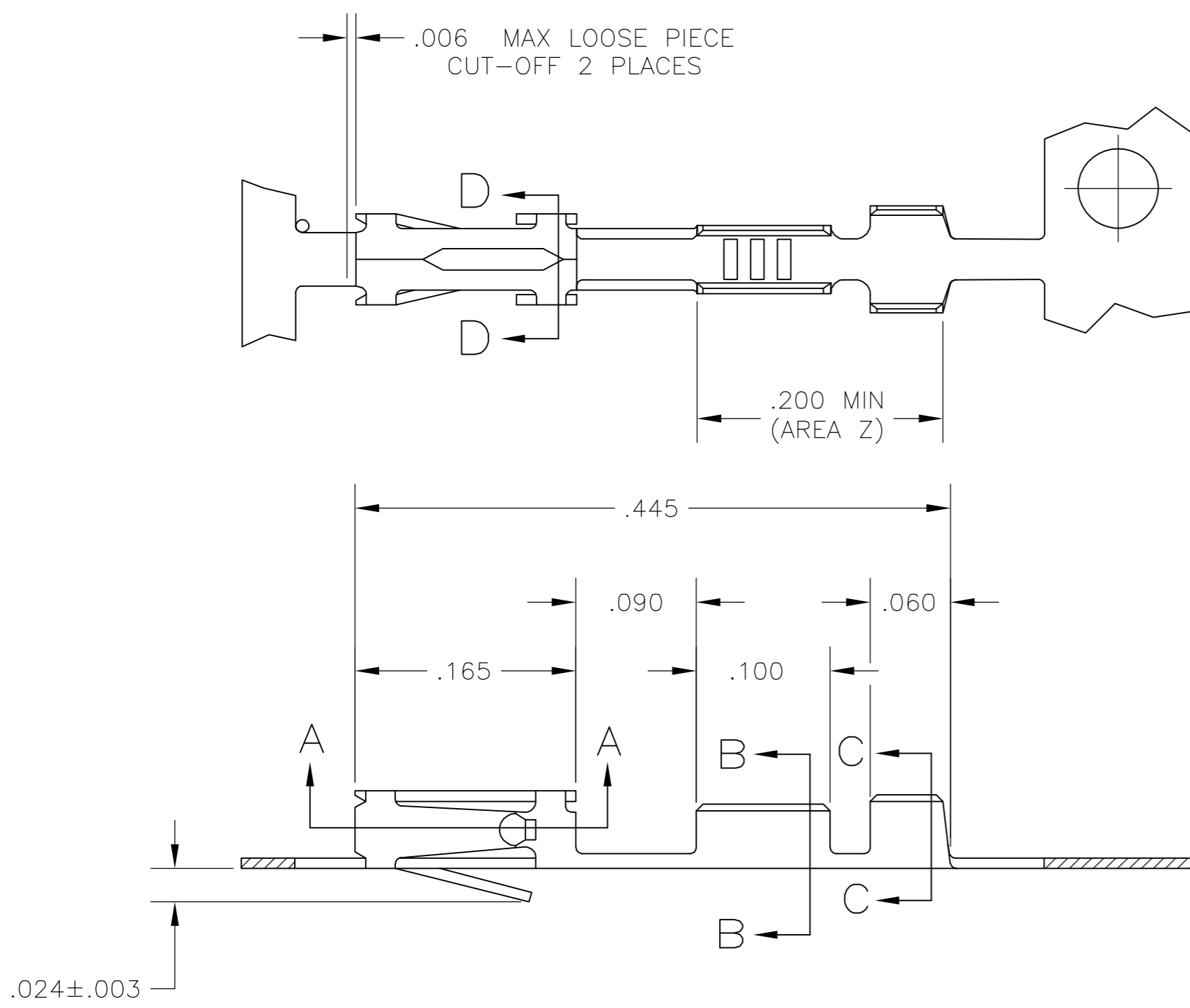
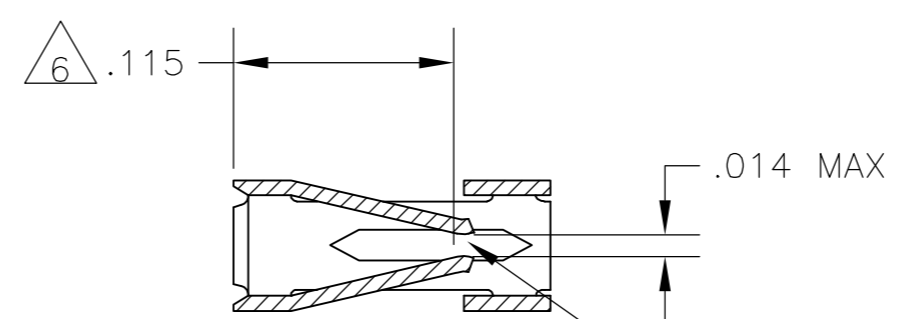


THIS DRAWING IS UNPUBLISHED. RELEASED FOR PUBLICATION
 © COPYRIGHT BY TYCO ELECTRONICS CORPORATION. ALL RIGHTS RESERVED.

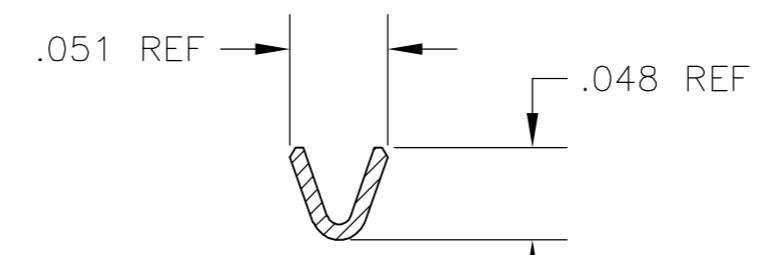
| LOC | DIST | REVISIONS | | | |
|-----|------|-------------|---------------|---------|--------|
| P | LTR | DESCRIPTION | DATE | DWN | APVD |
| AD | 00 | G | ECO-05-007262 | 09JAN06 | BSV MM |



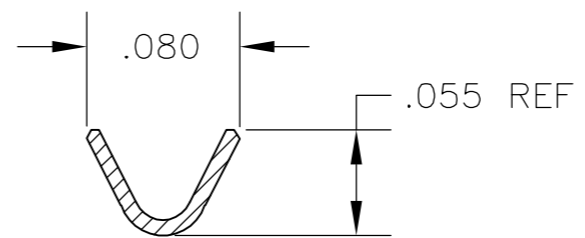
SECTION D-D



SECTION A-A
POINT OF MEASUREMENT FOR PLATING THICKNESS



WIRE SIZE #27-#32
SECTION B-B



SECTION C-C
INSULATION RANGE - .020-.040 DIA

- 1 .000030 ON CONTACT AREA, .000100-.000200 93/7 TIN LEAD IN CRIMP AREA "Z", ALL OVER .000050 NICKEL.
- 2. REELED FOR MINI APPLICATOR.
- 3 SHEARED EDGES PERMITTED TO BE UNPLATED.
- 4 .000015 GOLD IN AREA "K", .000100-.000200 BRIGHT TIN-LEAD IN AREA "Z", ALL OVER .000050 NICKEL.
- 5 .000015 GOLD IN CONTACT AREA, .000050 NICKEL ENTIRE CONTACT.
- 6 POINT OF MEASUREMENT FOR PLATING THICKNESS (INSIDE BEAMS)
- 7 .000030 ON CONTACT AREA, .000100-.000200 MATTE TIN IN CRIMP AREA "Z", ALL OVER .000050 NICKEL.

| | | | |
|----------|-------------|---------------|-------------|
| | LOOSE PIECE | $\frac{3}{7}$ | 5-102920-2 |
| | LOOSE PIECE | $\frac{3}{7}$ | 5-102920-1 |
| OBsolete | LOOSE PIECE | $\frac{3}{5}$ | 102920-8 |
| OBsolete | LOOSE PIECE | $\frac{3}{5}$ | 102920-7 |
| OBsolete | LOOSE PIECE | $\frac{3}{4}$ | 102920-5 |
| OBsolete | LOOSE PIECE | $\frac{3}{4}$ | 102920-4 |
| | LOOSE PIECE | $\frac{3}{1}$ | 102920-2 |
| | LOOSE PIECE | $\frac{3}{1}$ | 102920-1 |
| | REMARKS | FINISH | PART NUMBER |

| | | | | |
|--|--|-------------------------|---|--|
| THIS DRAWING IS A CONTROLLED DOCUMENT. | | DWN KATE HELM 03MAY89 | Tyco Electronics Corporation Harrisburg, Pa 17105-3608 | |
| DIMENSIONS: INCHES | | CHK C. OBERMAN 02JUN89 | | |
| TOLERANCES UNLESS OTHERWISE SPECIFIED: | | APVD J. GESFORD 02JUN89 | NAME | |
| 0 PLC ± - | | PRODUCT SPEC | | CONTACT, MOD IV 1/2, RECEPTACLE, CRIMP SNAP-IN |
| 1 PLC ± - | | 108-25021 | | |
| 2 PLC ± - | | APPLICATION SPEC | | SIZE |
| 3 PLC ± .005 | | 114-25003 | | CAGE CODE |
| 4 PLC ± - | | WEIGHT - | | DRAWING NO |
| ANGLES ± - | | CUSTOMER DRAWING | | RESTRICTED TO |
| FINISH SEE TABLE | | SCALE 10:1 | | SHEET 1 OF 1 |
| | | REV G | | |

Mouser Electronics

Authorized Distributor

Click to View Pricing, Inventory, Delivery & Lifecycle Information:

[TE Connectivity:](#)

[102920-2](#)