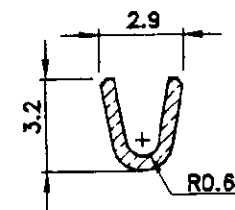
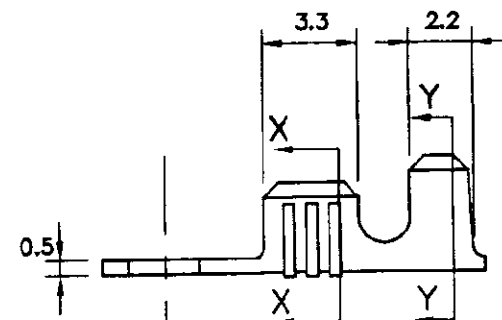
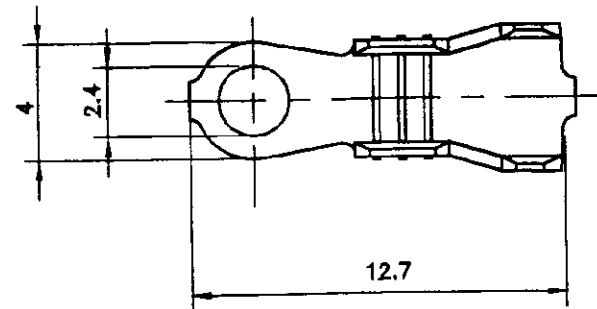
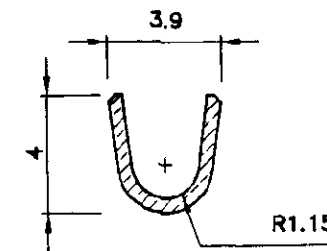


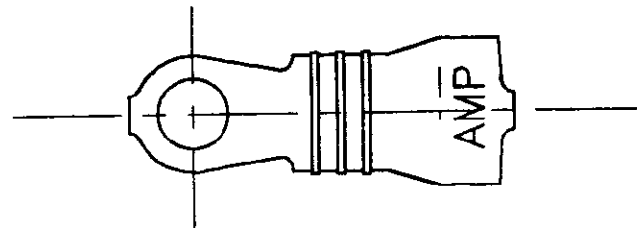
DRAWING MADE IN THIRD ANGLE PROJECTION



SECTION X-X



SECTION Y-Y



CONTROLLED

THIS INFORMATION IS CONFIDENTIAL AND DISCLOSED TO YOU ON CONDITION THAT NO FURTHER DISCLOSURE IS MADE BY YOU TO OTHER THAN AMP PERSONNEL WITHOUT WRITTEN AUTHORIZATION FROM AUSTRALIAN AMP

WIRE RANGE: 0.3-0.8 sq mm		-		-		BRASS		190661-1	
INSULATION RANGE: Ø1.5-2.8 mm		REMARKS		FINISH		MATERIAL		PART No	
		SIZE		0.503±0.018x9.02±0.05					
		DATE		31/03/94		CHK FP		<i>[Signature]</i>	
		DR		RB		APP BL		<i>[Signature]</i>	
		NAME		RING TONGUE				LOC CODE	
								U	
B A		ECN FA 00 0003 95 ECN 94017		BL 17/5/93 BL 31/3/94		SCALE AS 4:1 or SHOWN		SIZE A3	
P F LTR		REVISION RECORD		APP DATE		DWG No.		SHEET	
						C-190661		REV	
						CUSTOMER DRAWING		1 OF 1	
								B	

ORIGINAL

Mouser Electronics

Authorized Distributor

Click to View Pricing, Inventory, Delivery & Lifecycle Information:

[TE Connectivity:](#)

[190661-1](#)