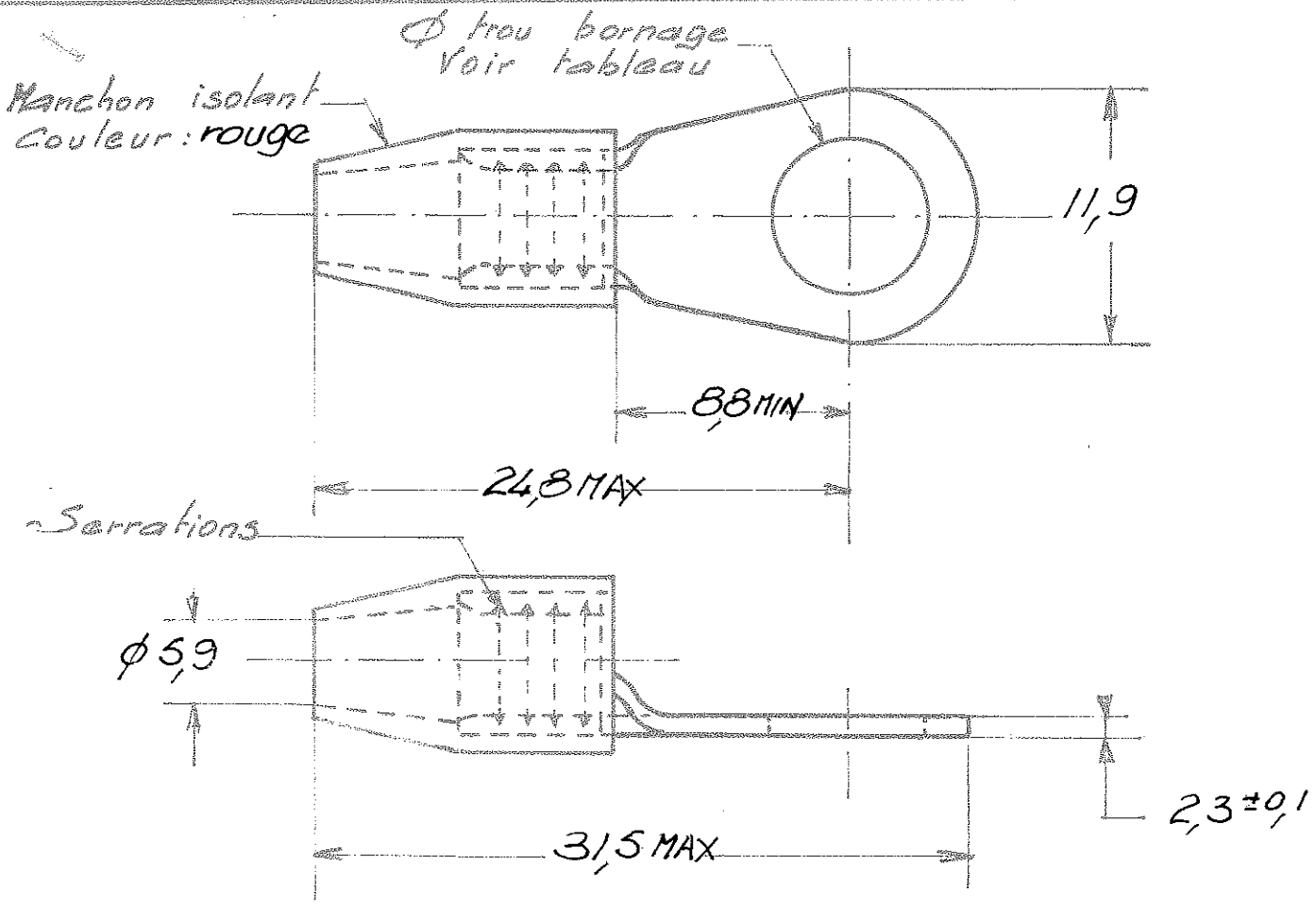


NUMERO 133017



LES COTES SONT DONNEES EN mm ET NE DOIVENT PAS ETRE RELEVÉES A L'ECHELLE SUR LE DESSIN

OUTILLAGE DE SERTISSAGE
 . PINCE HYDRAULIQUE A
 MAIN No 69061
 - MATRICES N. 69763

| | |
|-------------|----------------|
| 133 017 - 4 | 3,35 |
| 133017 - 3 | 6,35 |
| 133017 - 2 | 5,25 |
| 133017 - 1 | 4,3 |
| REFERENCES | Ø trou bornage |

| | | | | | | | |
|-------------------------------------|--|--|--|--|--|---|--|
| | | | | © 19 BY AMP INCORPORATED. ALL RIGHTS RESERVED AMP PRODUCTS COVERED BY PATENTS AND/OR PATENTS PENDING | | DESSIN CLIENT UNIQUEMENT POUR REFERENCES | |
| | | | | MATIERE ET FINITION Casse : Cuivre étamé Manchon : Nylon | | AMP | |
| C Transfert E0670 ER069102 CA 02/02 | | | | AMP DE FRANCE | | 95 PONTOISE | |
| B Revised 312 03/86 | | | | DIMENS. FIL ISOLANT TYPE | | TERMINYL SPECIALE | |
| A Ajouté 133017-4 | | | | Ø 98mm² Ø ext 561MAX | | NO | |
| IND CHANGEMENT DES VER DATE | | | | TOLERANCES SAUF INDICATION ± 0,3 ± 50 | | LOC NO | |
| DESSINE | | | | ECHELLE | | F A C 133017 | |
| 7 | | | | APPROUVE | | REV C | |
| VERIFIE GP 12.5.76 | | | | COSSE PREISOLEE A PLAGE RONDE | | | |

Mouser Electronics

Authorized Distributor

Click to View Pricing, Inventory, Delivery & Lifecycle Information:

[TE Connectivity:](#)

[133017-3](#)