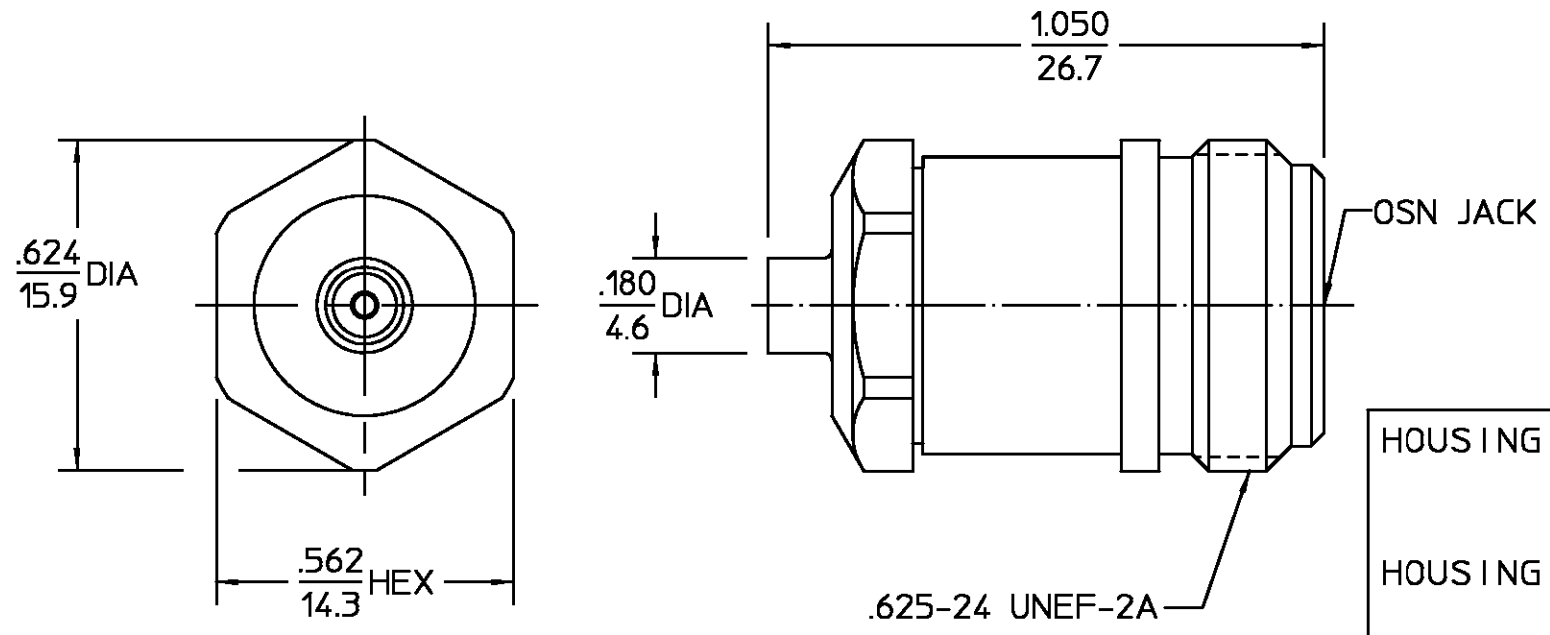


DESIGNED FOR USE WITH .141 S.R. CABLE	
CABLE ENTRY DIAMETER MINIMUM	
HOUSING	.145
CONTACT	.040

REVISIONS			
REV	DESCRIPTION	DATE	APPROVED
05 <sub>5</sub>	REVISED	3/19/96	



.XXX = in  
XX.X = mm

COMPONENT	MATERIAL	FINISH
HOUSING	STAINLESS STEEL PER ASTM-A484 AND ASTM- A582, TYPE 303	GOLD PLATE PER MIL-G-45204
HOUSING	STAINLESS STEEL PER ASTM-A484 AND ASTM- A582, TYPE 303	PASSIVATE PER QQ-P-35
DIELECTRIC	TFE FLUOROCARBON PER ASTM-D-1457	N/A
CENTER CONTACT	BERYLLIUM COPPER PER ASTM B 196, ALLOY C17300, CONDITION H	GOLD PLATE PER MIL-G-45204
"O" - RING	SILICONE RUBBER PER ZZ-R-765, CLASS 2B	N/A

ELECTRICAL	MECHANICAL	ENVIRONMENTAL
Nominal Impedance (Ohms) 50	Interface Dimensions MIL-STD-348A, Fig. 304.1	Temperature Rating -65 °C TO +165 °C
Frequency Range (GHz) 0 to 11 GHz	Recommended Mating Torque 6-10 In-Lbs	Vibration MIL-STD-202, Method 204, Condition B
Volt Rating (VRMS MAX) @ Sea Level 1000	Mating Characteristics: Insertion (MAX Lbs) 2	Shock MIL-STD-202, Method 213, Condition I
VSWR 1.06 +.007f(GHz)	Withdrawal (MIN Oz) 2	Thermal Shock MIL-STD-202, Method 107, Condition B, Except High Temp 85°C
Insertion Loss (dB MAX) .04 √f(GHz)	Force to Engage (In/Lbs MAX)	Moisture Resistance MIL-STD-202, Method 106, Except Vibration
RF Leakage (dB MIN) -90	Disengage (In/Lbs MAX) 6 In-Lbs	Shall Be Omitted. No High Humidity
Corona, 70,000 Ft (VRMS MIN) 500	Center Contact Captivation Axial (Lbs) N/A	Corrosion - MIL-STD-202, Method 101, Condition B, 5% salt spray
Dielectric Withstanding Voltage (VRMS MIN) @ Sea Level 1500	Radial (In/Oz) N/A	
Contact Resistance (Milliohms MAX) Center Contact 1.0	Cable Retention Axial Force (Lbs) 60 Lbs	
Outer Contact 0.2	Weight (Grams) TBD	
RF High Potential @ Sea Level (VRMS MIN @ 5 MHz) 1500		
LR.(Megohms MIN) 5000		

UNLESS OTHERWISE SPECIFIED DIMENSIONS ARE IN INCHES TOLERANCE ON FRAC. DEC. ANGLES ± 1/64 ±.005 ± °	DRAWN BY PRB 8/7/67		AMP Incorporated 140 Fourth Avenue Waltham, MA 02451-7599			
	CHECKED BY SS 8/7/67		TITLE OSN STRAIGHT CABLE JACK DIRECT SOLDER ATTACHMENT			
These drawings and specifications are the property of M/A-COM Incorporated and shall not be reproduced or copied or used in whole or in part as the basis for the manufacture or sale of item(s) without written permission.	APPD BY DN 1/26/68	USE ASS'Y PROCEDURE  408-04913 (30-003) NO. AP. _____	SIZE B	CODE IDENT NO. 26805	3002-7941-00	REV 05 <sub>5</sub>
	SCALE 3:1		SHEET 1 OF 1			

# Mouser Electronics

Authorized Distributor

Click to View Pricing, Inventory, Delivery & Lifecycle Information:

[TE Connectivity:](#)

[1057116-1](#)