

DTS26G11-35PA [V001] ✓ ACTIVE

DEUTSCH | DEUTSCH 38999 Series III

TE Internal #: YDTS26G11-35PAV001

DEUTSCH 38999 Series III, Standard Circular Connectors, Cable-to-Panel, 13 Position, Sealable, Wire & Cable, 5A Contact Current Rating (Max), Signal

[View on TE.com >](#)



Connectors > Circular Connectors > Standard Circular Connectors > Straight Plug: D38999, 11-35 Insert, Space-Grade Electroless Plating



Connector System: **Cable-to-Panel**

Number of Positions: **13**

Sealable: **Yes**

Connector & Contact Terminates To: **Wire & Cable**

Contact Current Rating (Max): **5 A**

[All Straight Plug: D38999, 11-35 Insert, Space-Grade Electroless Plating \(84\)](#)

Features

Product Type Features

Product Type	Connector
Connector System	Cable-to-Panel
Sealable	Yes
Connector & Contact Terminates To	Wire & Cable
Circular Connector Type	Plug
Shell Type	Straight Plug

Configuration Features

Number of Positions	13
Number of Power Positions	0
Number of Signal Positions	13
Contacts Preloaded	Yes

Body Features

Shell Plating Material	Space-Grade Electroless
Shell Base Material	Aluminum
Circular Connector Insulation Material Type	Hard Dielectric/Silicone
Hermetically Sealed	No



Contact Features

Contact Current Rating (Max)	5 A
Contact Layout Arrangement	11 – 35
Circular Connector Contact Type	Pin

Termination Features

Termination Method to Wire & Cable	Crimp
------------------------------------	-------

Mechanical Attachment

Mating Retention Type	Threaded
Mating Alignment	With
PCB Mount Alignment	Without
Panel Mount Feature	Without
Connector Mounting Type	Cable Mount (Free-Hanging)
Polarization Code	A
Mating Alignment Type	Keyed
Mating Retention	With

Housing Features

Circular Connector Shell Size	11
Alignment Keyed	Clocking

Dimensions

Wire Size	.08 – .33 mm ²
-----------	---------------------------

Usage Conditions

Operating Temperature Range	-65 – 200 °C[-85 – 392 °F]
-----------------------------	----------------------------

Operation/Application

Circuit Application	Signal
Shielded	No

Product Compliance

[For compliance documentation, visit the product page on TE.com>](#)

EU RoHS Directive 2011/65/EU	Compliant with Exemptions
EU ELV Directive 2000/53/EC	Compliant with Exemptions
China RoHS 2 Directive MIIT Order No 32, 2016	Restricted Materials Above Threshold
EU REACH Regulation (EC) No. 1907/2006	



Current ECHA Candidate List: JUL 2021
(219)
Candidate List Declared Against: JUL 2021
(219)
SVHC > Threshold:
Pb (1.2% in Contact Lead-Copper Alloy)
Decamethylcyclopentasiloxane (D5) (5% in Insert subassembly)

Article Safe Usage Statements:

Do not eat, drink or smoke when using this product. Wash thoroughly after handling. Recycle if possible and dispose of the article by following all applicable governmental regulations relevant to your geographic location.

Halogen Content

Not Yet Reviewed for halogen content

Solder Process Capability

Not reviewed for solder process capability

Product Compliance Disclaimer

This information is provided based on reasonable inquiry of our suppliers and represents our current actual knowledge based on the information they provided. This information is subject to change. The part numbers that TE has identified as EU RoHS compliant have a maximum concentration of 0.1% by weight in homogenous materials for lead, hexavalent chromium, mercury, PBB, PBDE, DBP, BBP, DEHP, DIBP, and 0.01% for cadmium, or qualify for an exemption to these limits as defined in the Annexes of Directive 2011/65/EU (RoHS2). Finished electrical and electronic equipment products will be CE marked as required by Directive 2011/65/EU. Components may not be CE marked. Additionally, the part numbers that TE has identified as EU ELV compliant have a maximum concentration of 0.1% by weight in homogenous materials for lead, hexavalent chromium, and mercury, and 0.01% for cadmium, or qualify for an exemption to these limits as defined in the Annexes of Directive 2000/53/EC (ELV). Regarding the REACH Regulation, the information TE provides on SVHC in articles for this part number is based on the latest European Chemicals Agency (ECHA) 'Guidance on requirements for substances in articles' posted at this URL: <https://echa.europa.eu/guidance-documents/guidance-on-reach>

Compatible Parts



TE Part # CAT-D38999-DTS11M
D38999: Jam Nut, 11-35 Insert



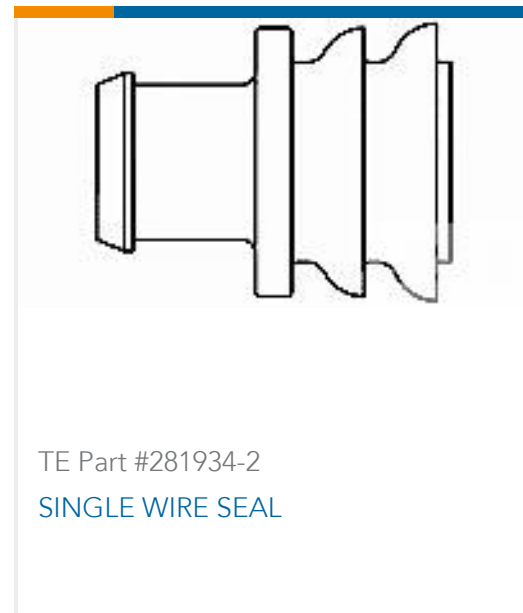
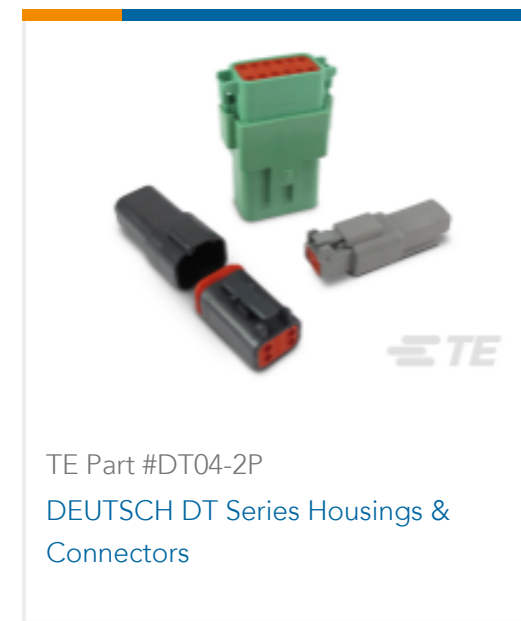
TE Part # CAT-D38999-DTS2S
D38999: Square Flange, 11-35 insert

Also in the Series | DEUTSCH 38999 Series III



Standard Circular Connectors(50985)

Customers Also Bought



Documents

Product Drawings

PLUG ASSY

English

Datasheets & Catalog Pages

DEUTSCH MIL-DTL-38999 CIRCULAR CONNECTORS

English

Mouser Electronics

Authorized Distributor

Click to View Pricing, Inventory, Delivery & Lifecycle Information:

[TE Connectivity:](#)

[D38999/26GB35PA](#)