

# ACT24MC04SA [V001] ✓ ACTIVE

DEUTSCH | DEUTSCH 38999 Series III Composite Connectors

TE Internal #: YACT24MC04SAV00100

DEUTSCH 38999 Series III Composite Connectors, Standard Circular Connectors, Cable-to-Panel, 4 Position, Sealable, Wire & Cable

[View on TE.com >](#)



Connectors > Circular Connectors > Standard Circular Connectors



Connector System: **Cable-to-Panel**

Number of Positions: **4**

Sealable: **Yes**

Connector & Contact Terminates To: **Wire & Cable**

Contact Current Rating (Max): **13 A**

## Features

### Product Type Features

|                                   |                      |
|-----------------------------------|----------------------|
| Product Type                      | Connector            |
| Assembly Type                     | Electrical Connector |
| Connector System                  | Cable-to-Panel       |
| Sealable                          | Yes                  |
| Connector & Contact Terminates To | Wire & Cable         |
| Circular Connector Type           | Receptacle           |
| Shell Type                        | Jam Nut Receptacle   |

### Configuration Features

|                                       |                       |
|---------------------------------------|-----------------------|
| Keying & Polarized Position Locations | A                     |
| Factory Installed Backshell           | No                    |
| Keying                                | Keyway Polarization A |
| Number of Positions                   | 4                     |
| Number of Power Positions             | 4                     |
| Number of Signal Positions            | 0                     |
| Contacts Preloaded                    | No                    |

### Electrical Characteristics

|         |           |
|---------|-----------|
| Voltage | 1800 Vrms |
|---------|-----------|



|                   |         |
|-------------------|---------|
| Operating Voltage | 600 VAC |
|-------------------|---------|

### Body Features

|   |  |
|---|--|
| Feedthrough Type                            | No   |
| Environmental Protection Type               | Elastomer Sealed   |
| Entry Style                                 | Rear Insertion   |
| Peripheral Seal Material                    | Silicone   |
| Environmental Protection                    | Yes  |
| Weight                                      | 17.6 g[.0389 lb]   |
| O-Ring Material                             | Silicone   |
| Fluid Type                                  | Coolanol 25, M2-V, MIL-DTL-5624 (JP-4,JP-5), MIL-DTL-83133 (JP-8), MIL-PRF-23699, MIL-PRF-5606, MIL-PRF-7808, SEA-AMS1424 Type I |
| Shell Plating Material                      | Electroless Nickel   |
| Shell Base Material                         | Composite  |
| Circular Connector Insulation Material Type | Hard Dielectric/Silicone   |
| Hermetically Sealed                         | No   |

### Contact Features

|                                 |        |
|---------------------------------|--------|
| Contact Quantity (Size 16)      | 4      |
| Contact Current Rating (Max)    | 13 A   |
| Reverse Gender                  | No     |
| Contact Layout Arrangement      | C04    |
| Circular Connector Contact Type | Socket |

### Mechanical Attachment

|                          |                       |
|--------------------------|-----------------------|
| Mating Retention Type    | Triple Start Threaded |
| Panel Mount Feature      | With                  |
| Panel Mount Feature Type | Jam Nut               |
| Connector Mounting Type  | Panel Mount           |
| Polarization Code        | A                     |
| Mating Alignment Type    | Keyed                 |
| Mating Retention         | With                  |

### Housing Features

|                               |          |
|-------------------------------|----------|
| Circular Connector Shell Size | 13       |
| Alignment Keyed               | Clocking |



### Dimensions

|  |                                 |
|--|---------------------------------|
| Panel Thickness                        | 1.58 – 3.2 mm [.062 – .126 in]  |
| Accepts Wire Insulation Diameter Range | 1.65 – 2.77 mm [.065 – .109 in] |
| Assembly Length                        | 33 mm [1.3 in]                  |
| Wire Size                              | .52 – 1.31 mm <sup>2</sup>      |

### Usage Conditions

|                             |                             |
|-----------------------------|-----------------------------|
| Fluid Resistance            | Yes                         |
| Operating Temperature Range | -65 – 200 °C [-85 – 392 °F] |

### Operation/Application

|                     |            |
|---------------------|------------|
| Durability Rating   | 500 Cycles |
| Circuit Application | Power      |
| Shielded            | Yes        |

### Packaging Features

|                    |   |
|--------------------|---|
| Packaging Quantity | 1 |
|--------------------|---|

### Other

|                            |     |
|----------------------------|-----|
| Position Locations Omitted | All |
|----------------------------|-----|

## Product Compliance

[For compliance documentation, visit the product page on TE.com>](#)

|   |   |
|---|---|
| EU RoHS Directive 2011/65/EU                  | Compliant with Exemptions   |
| EU ELV Directive 2000/53/EC                   | Compliant with Exemptions   |
| China RoHS 2 Directive MIIT Order No 32, 2016 | Restricted Materials Above Threshold  |
| EU REACH Regulation (EC) No. 1907/2006        | Current ECHA Candidate List: JUL 2021 (219)<br>Candidate List Declared Against: JAN 2021 (211)<br>SVHC > Threshold:<br>Pb (1.2% in Contact Lead-Copper Alloy)<br>Decamethylcyclopentasiloxane (D5) (5% in Insert Subassembly)<br><b>Article Safe Usage Statements:</b><br>Do not eat, drink or smoke when using this product. Wash thoroughly after handling. Recycle if possible and dispose of the article by following all applicable governmental regulations relevant to your geographic location. |
| Halogen Content                               | Not Yet Reviewed for halogen content  |
| Solder Process Capability                     | Not reviewed for solder process capability  |

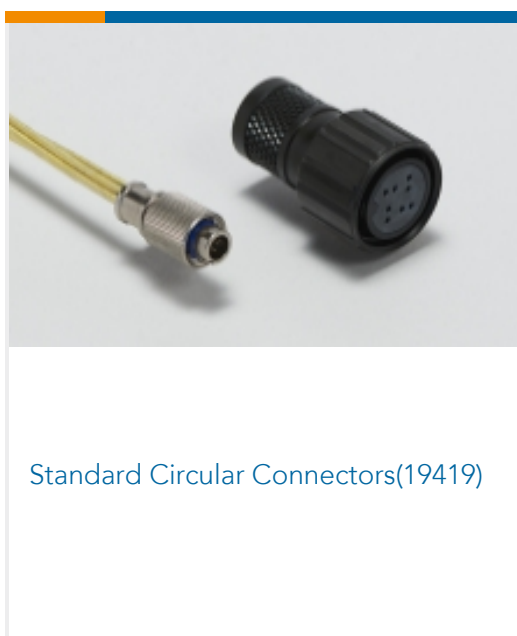
Product Compliance Disclaimer

This information is provided based on reasonable inquiry of our suppliers and represents our current actual knowledge based on the information they provided. This information is subject to change. The part numbers that TE has identified as EU RoHS compliant have a maximum concentration of 0.1% by weight in homogenous materials for lead, hexavalent chromium, mercury, PBB, PBDE, DBP, BBP, DEHP, DIBP, and 0.01% for cadmium, or qualify for an exemption to these limits as defined in the Annexes of Directive 2011/65/EU (RoHS2). Finished electrical and electronic equipment products will be CE marked as required by Directive 2011/65/EU. Components may not be CE marked. Additionally, the part numbers that TE has identified as EU ELV compliant have a maximum concentration of 0.1% by weight in homogenous materials for lead, hexavalent chromium, and mercury, and 0.01% for cadmium, or qualify for an exemption to these limits as defined in the Annexes of Directive 2000/53/EC (ELV). Regarding the REACH Regulation, the information TE provides on SVHC in articles for this part number is based on the latest European Chemicals Agency (ECHA) 'Guidance on requirements for substances in articles' posted at this URL: <https://echa.europa.eu/guidance-documents/guidance-on-reach>

## Compatible Parts

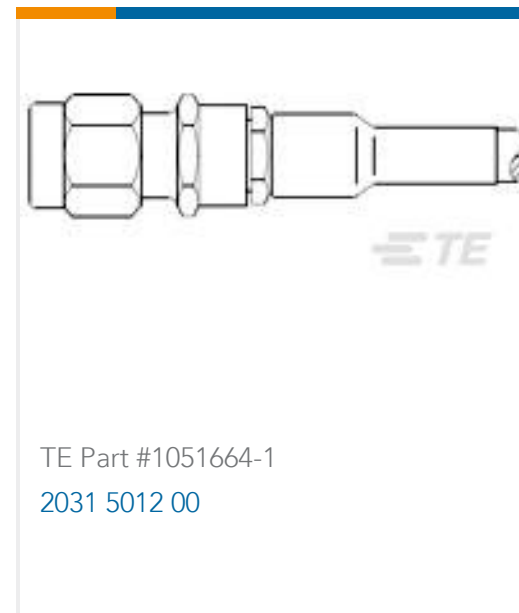


## Also in the Series | DEUTSCH 38999 Series III Composite Connectors



## Customers Also Bought





## Documents

### Product Drawings

[JAM NUT RECEPTACLE](#)

English

### Datasheets & Catalog Pages

[DEUTSCH MIL-DTL-38999 Connectors Quick Reference Guide](#)

English

# Mouser Electronics

Authorized Distributor

Click to View Pricing, Inventory, Delivery & Lifecycle Information:

[TE Connectivity:](#)

[D38999/24MC04SA](#)